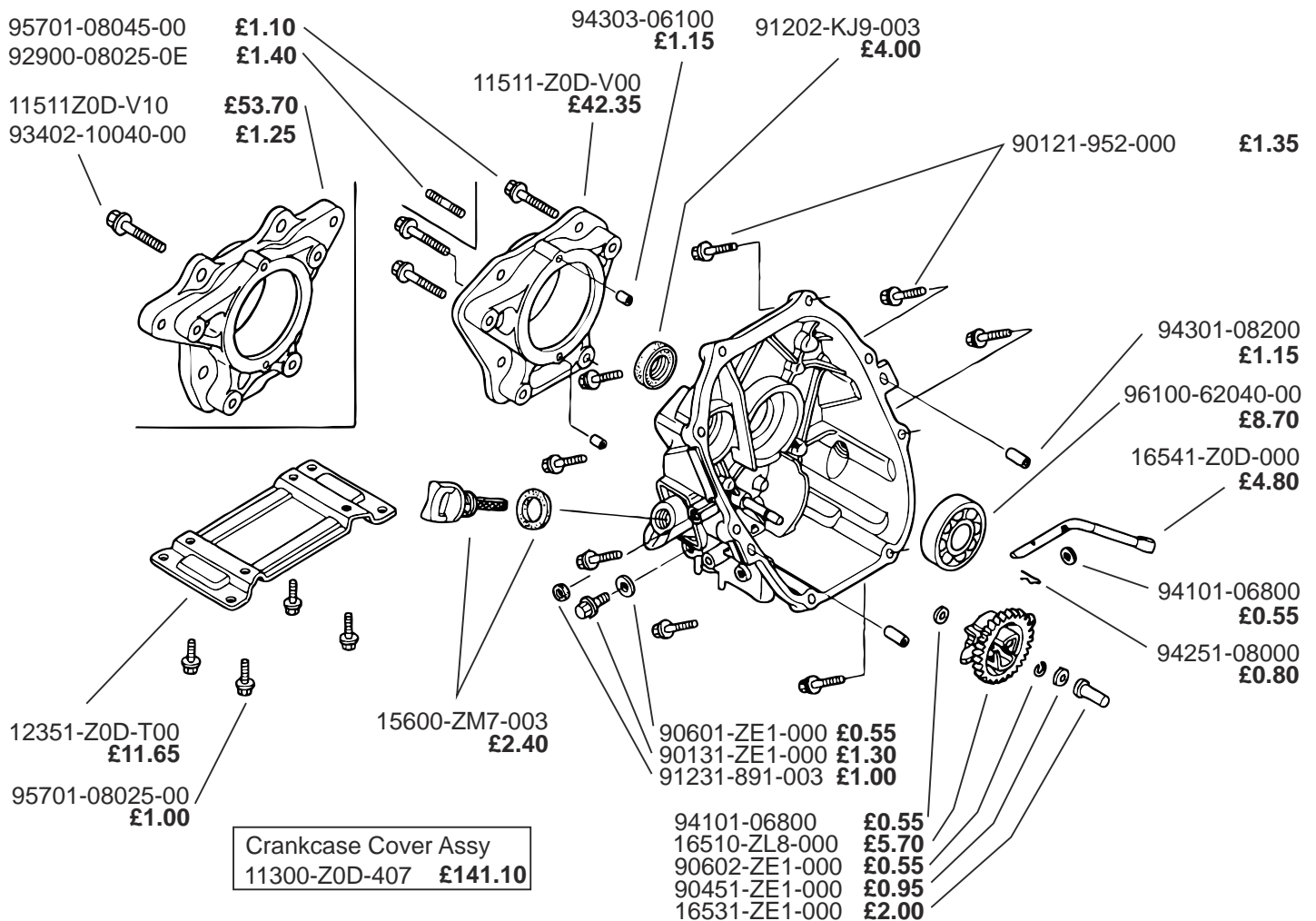
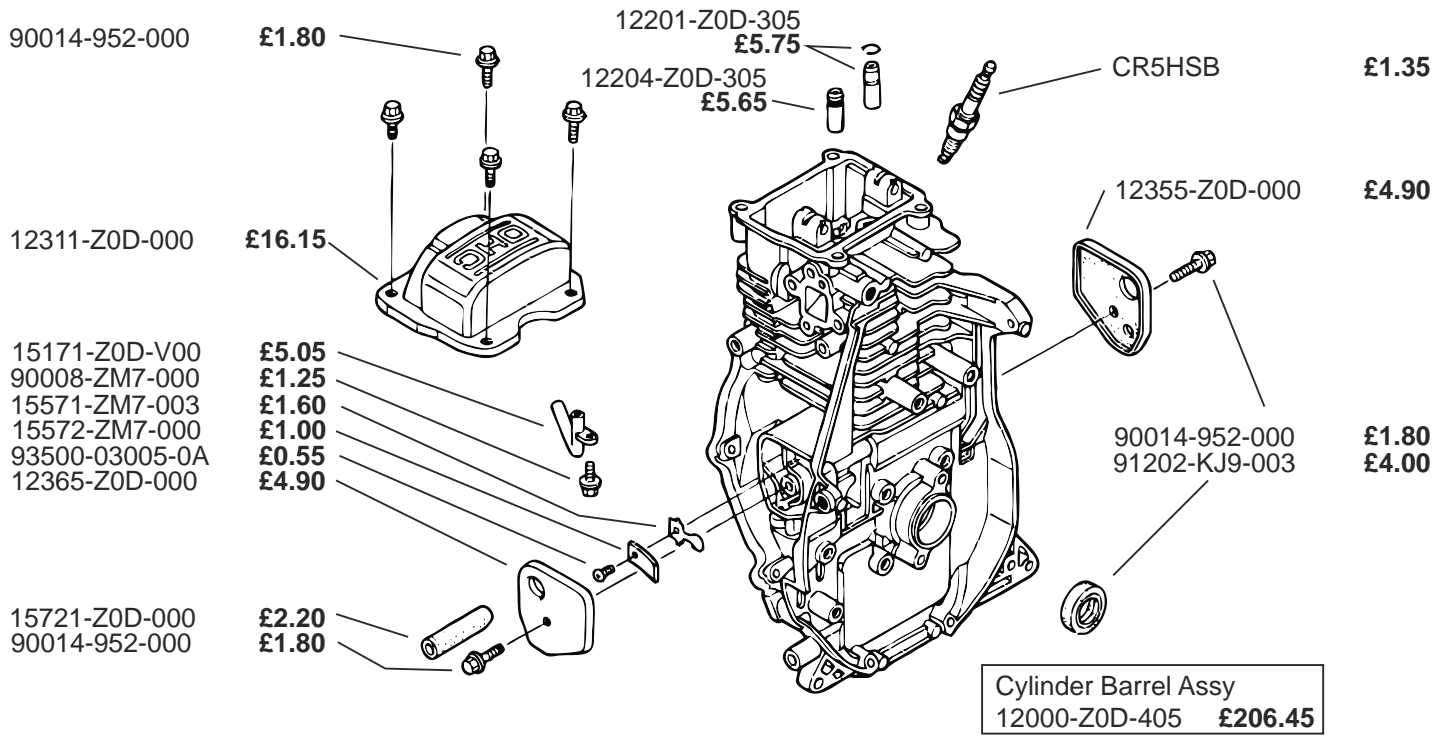


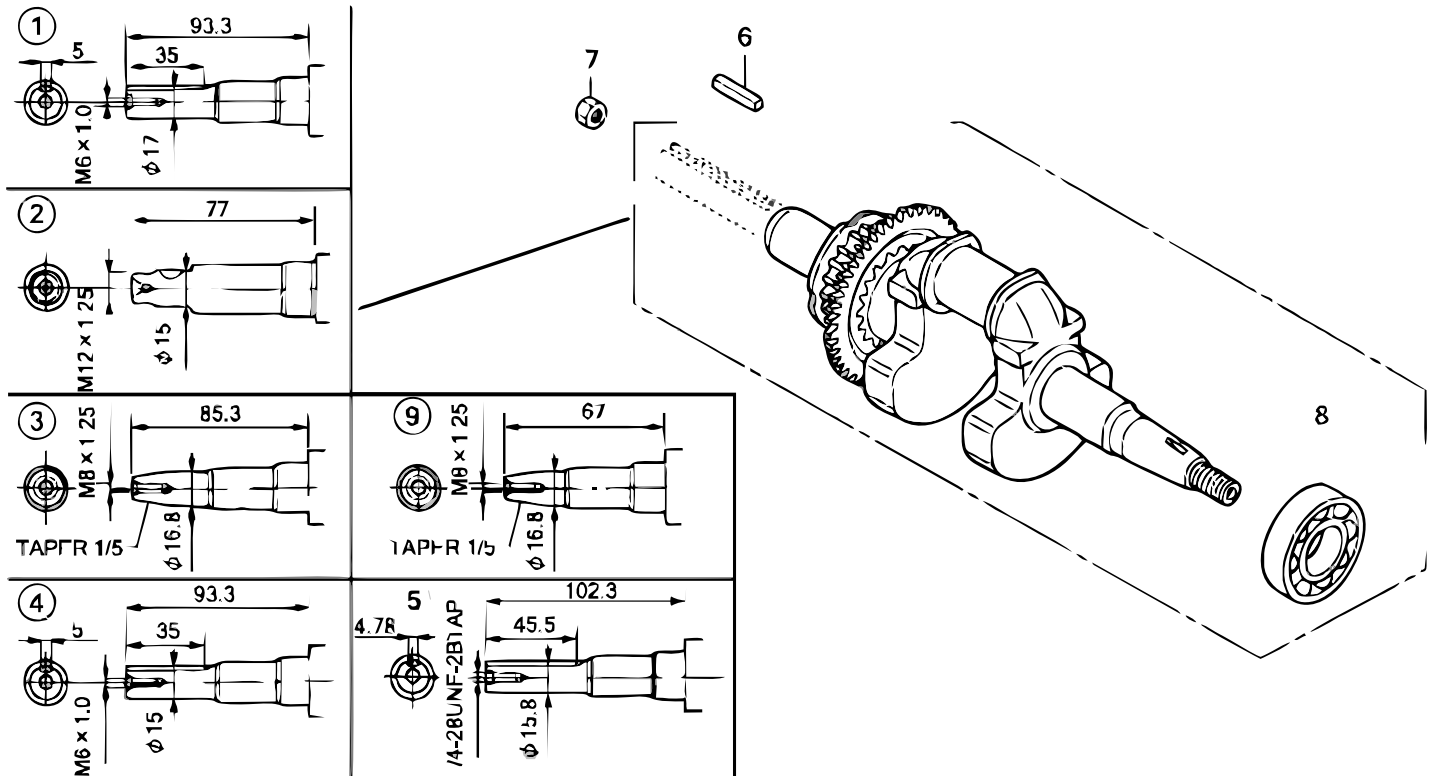
HONDA GX100 SPARE PARTS



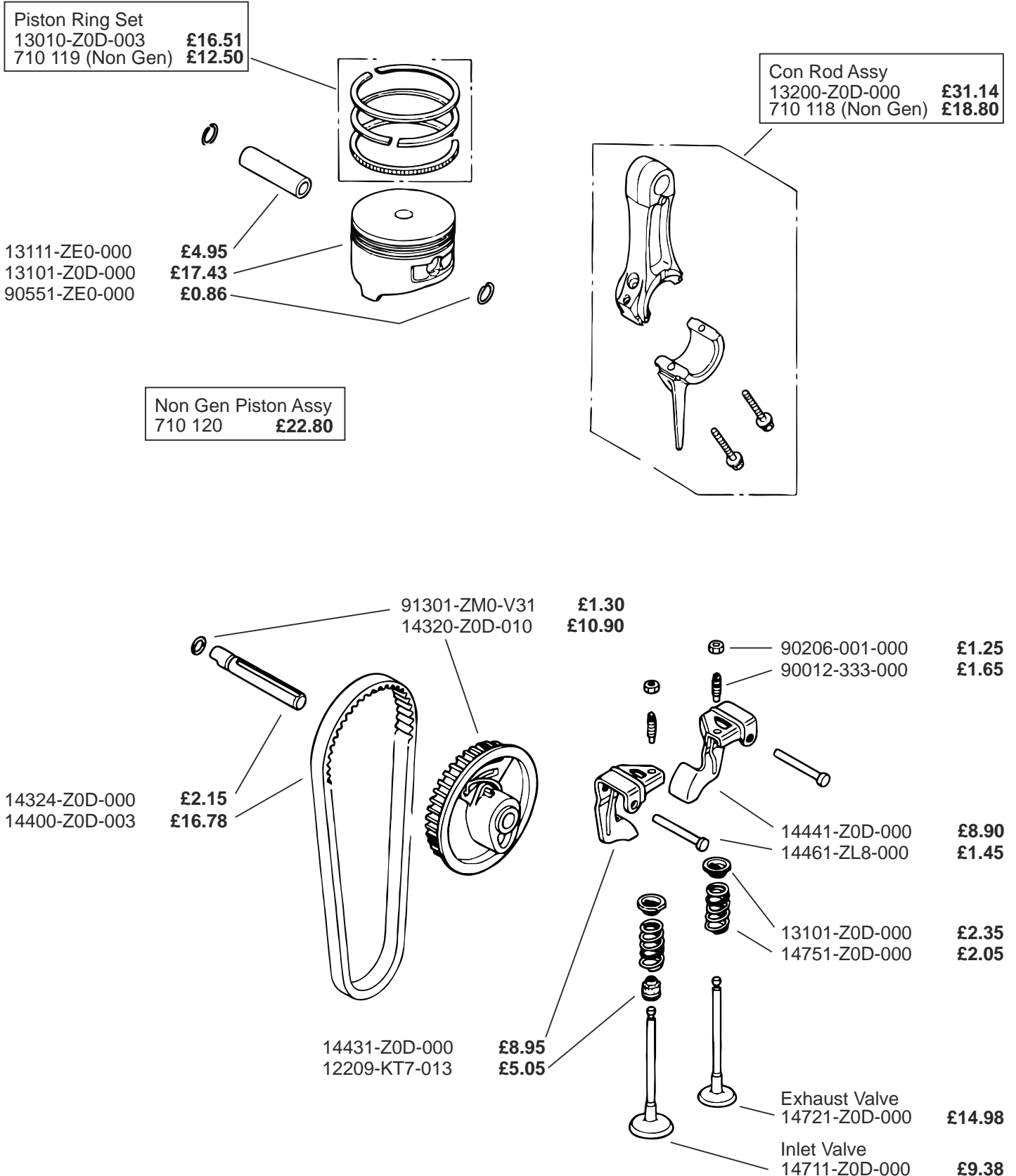
Copyright 2011 L&S Engineers Ltd.

Honda GX100 - Cylinder Barrel & Crankcase Cover Page 2



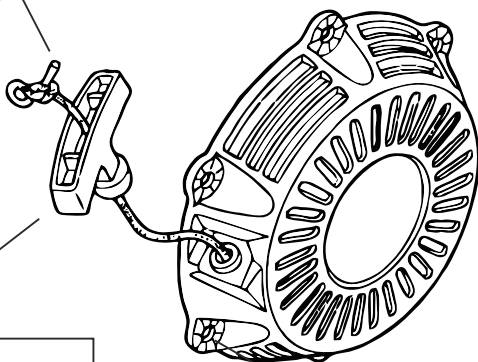


Ref No.	Part No.	Description	Price
1	13310-Z0D-T10	Crankshaft Complete	POA
2	13310-Z0D-V00	Crankshaft Complete	POA
3	13310-Z0D-910	Crankshaft Complete	POA
4	13310-Z0D-000	Crankshaft Complete	POA
5	13310-Z0D-600	Crankshaft Complete	POA
6	90741-883-810	Key 5 x 5 x 33 (Yellow)	£4.30
6	90745-ZE1-600	Key 4.78 x 4.78 x 38	£4.15
7	94002-12000-0S	Nut Hex 12mm	£0.90
8	96100-62040-00	Radial Bearing 6204	£8.70
9	13310-Z0D-V70	Crankshaft Complete	POA



28462-Z0D-003

£4.20



Plastic Recoil Assy
(Non Rammer)
28400-Z0D-V03ZC £59.50

90002-Z0D-000

£1.65



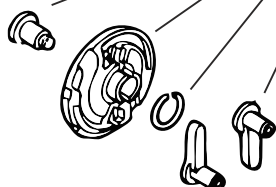
Starter Grip
28461-ZH8-003 £5.60
HONDA GRIP (Non Gen) £0.95

90003-ZH8-003 £2.50

28433-ZG0-W02 £3.75

28441-ZW6-003 £2.25

28422-ZG0-W02 £4.20



28462-Z0D-V03
£4.20

Starter Grip
28461-ZH8-003 £5.60
HONDA GRIP (Non Gen) £0.95

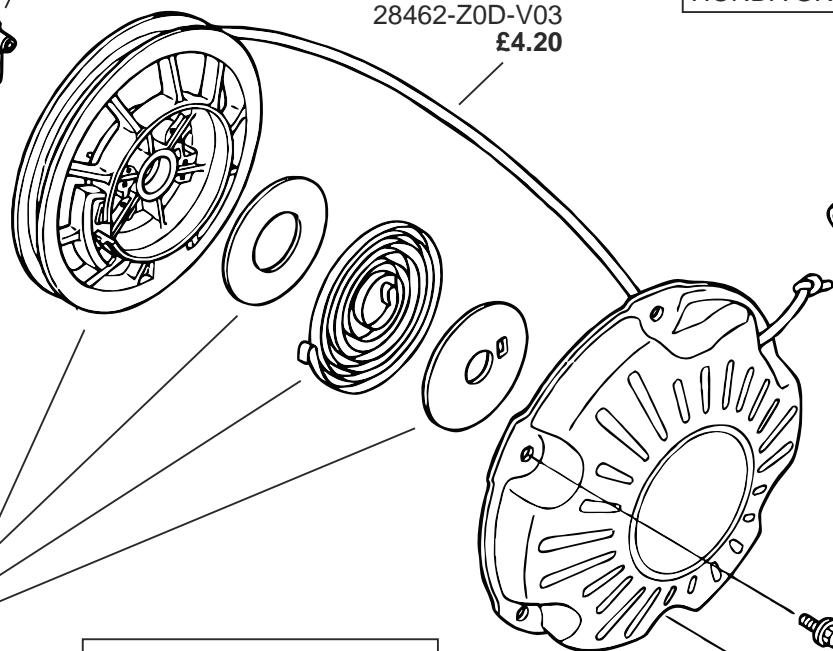


28421-Z0D-V02 £17.85

28467-Z0D-V02 £3.35

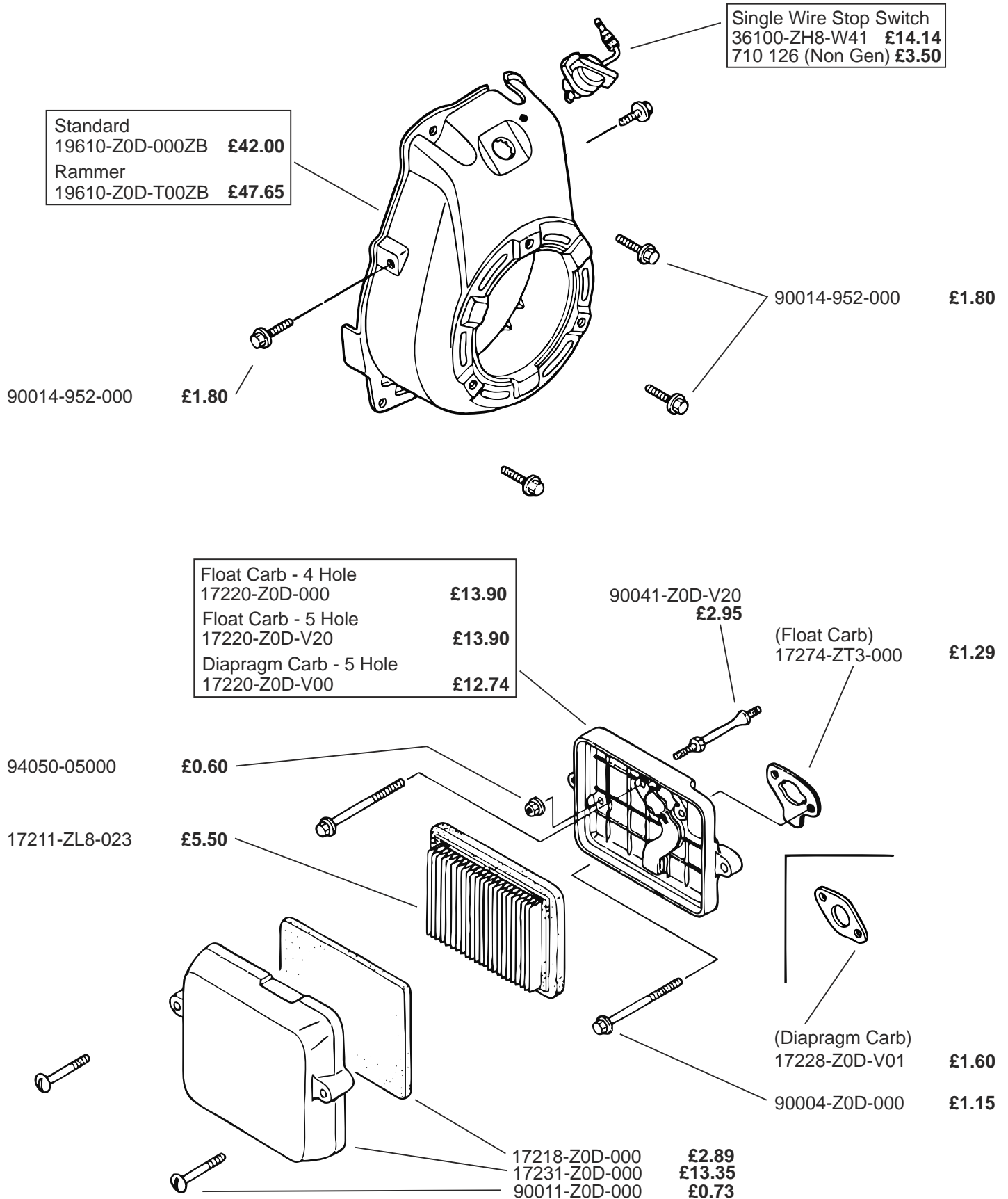
28442-ZH8-003 £12.65

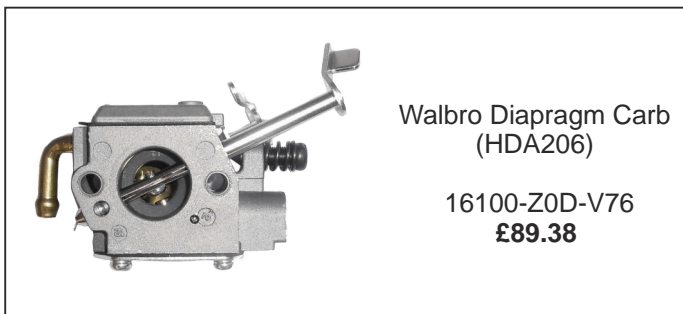
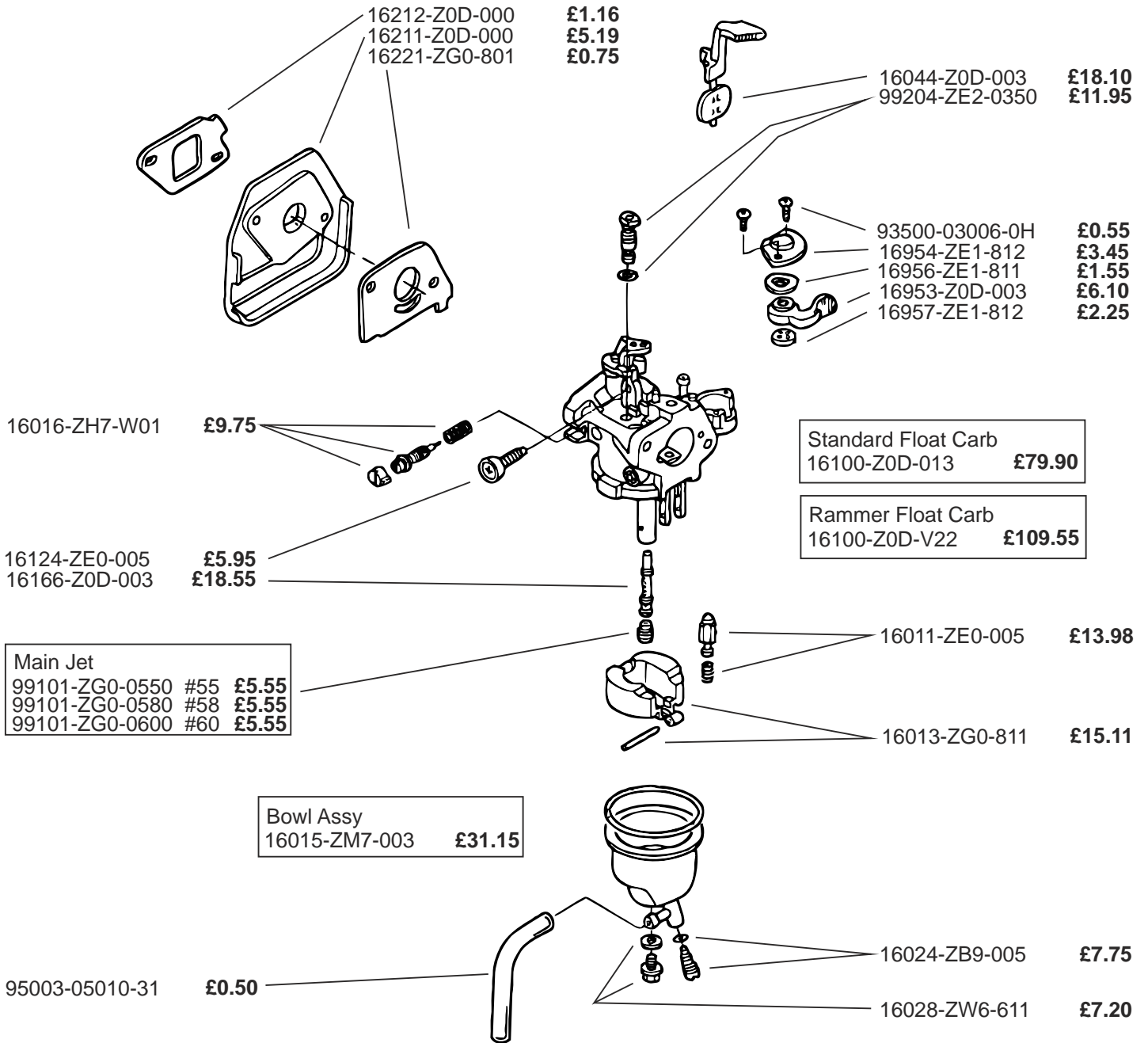
28468-Z0D-V02 £3.35

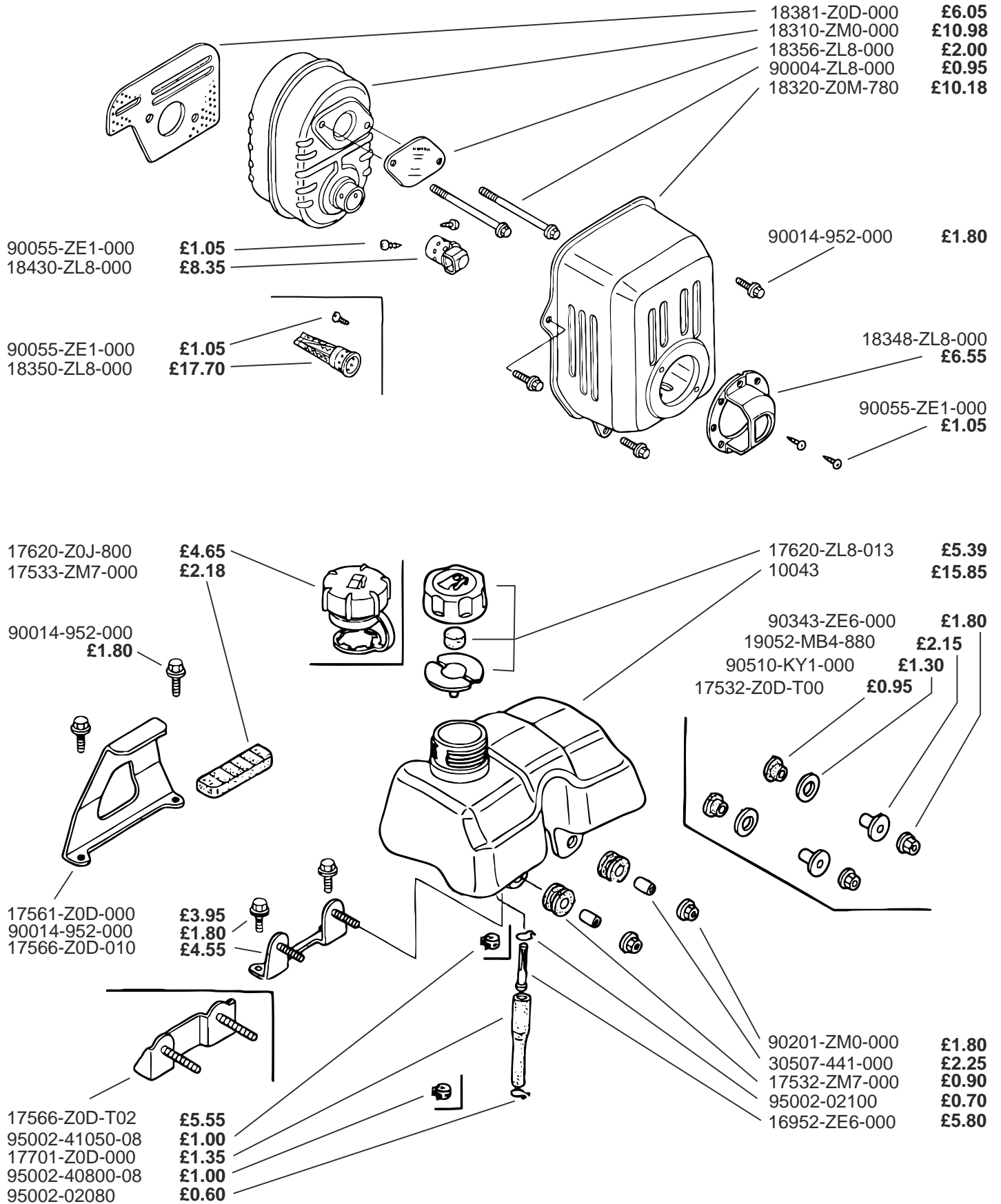


Metal Recoil Assy
(Rammer)
28400-Z0D-V04ZC £62.60
11177 (Non Gen) £38.50

95701-06008-00 £0.70
28410-Z0D-V02ZC £49.65







Honda GX100 - Flywheel, Coil & Control

Page 9

