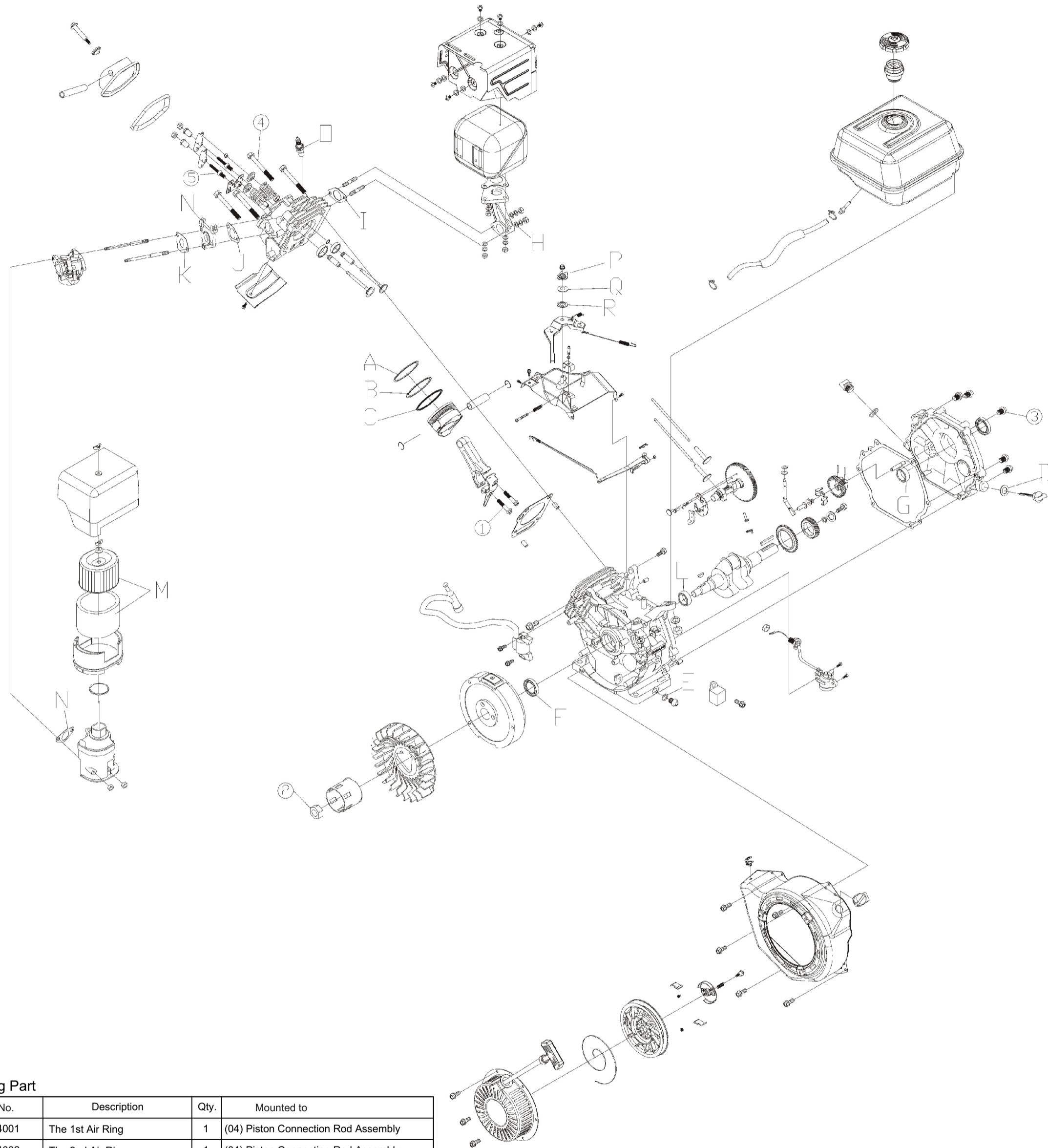


ASSEMBLY AND PART DRAWING

KG280 GASOLINE ENGINE

KIPOR



Easy Wearing Part

No.	Part No.	Description	Qty.	Mounted to
A	KG270-04001	The 1st Air Ring	1	(04) Piston Connection Rod Assembly
B	KG270-04002	The 2nd Air Ring	1	(04) Piston Connection Rod Assembly
C	KG270-04100	Oil Ring Part	1	(04) Piston Connection Rod Assembly
D	KG240-01016	Oil Ruler Gasket	2	(01) Cylinder Block Assembly
E	KM168F-10008	Oil Draining Screw Gasket	2	(01) Cylinder Block Assembly
F	KM178F-01021	Oil Seal	2	(01) Cylinder Block Assembly
G	GB/T276-1994	Rolling Bear 6206	1	(01) Cylinder Block Assembly
H	GB/T97.1-2002	Washer	2	(08) Exhaust System
I	KG240-02015	Exhaust Pipe Gasket	1	(02) Cylinder Cover Assembly
J	KG240-02014	Inlet Pipe Gasket	1	(02) Cylinder Cover Assembly
K	KG240-02021	Carburetor Gasket A	1	(02) Cylinder Cover Assembly
L	GB/T276-1994	Rolling Bear 6206	1	(05) Crankshaft Flywheel Assembly
M	KG240-07100a	Filter Element Part	1	(07) Inlet System
N	KG240-07004a	Carburetor Washer	1	(07) Inlet System
O	QC/T430-1999	Spark Plug WR7DC	1	(14) Ignition System
P	KG240-11203	Tighten Gasket	1	(11) Speed Adjusting and Operating System
Q	KG160-11202	Saddle Washer	1	(11) Speed Adjusting and Operating System
R	KG160-11204	Friction Sheet	1	(11) Speed Adjusting and Operating System

Tighten Torque for Main Bolt and Nut (Unit: N.m)

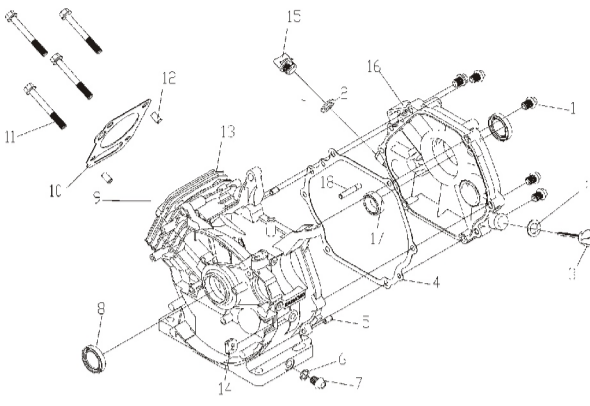
Code	Description	Torque
①	Connection Rod Bolt	20-22
②	Flywheel Nut	120-130
③	Crankcase Cover Bolt	20-23
④	Cylinder Cover Bolt	42-46
⑤	Rocker-arm Shaft Bolt	20-23

WUXI KIPOR POWER CO., LTD.

Beside Jingyi Rd, Third-stage Development Section of Wangzhuang Industry Area, Wuxi High & New Technology Industry Development Zone. TEL: 0086-510-85200888 FAX: 0086-510-85200999

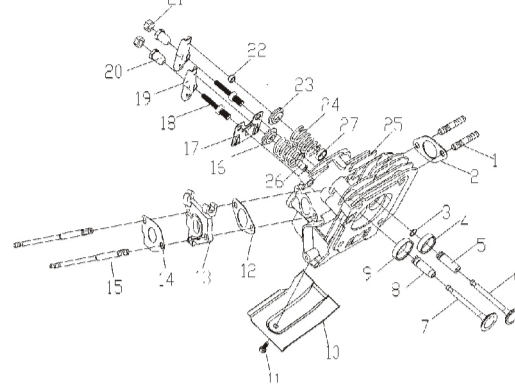
KG280-01000 Cylinder Block Assembly

No.	Part No.	Description	Qty.
1	GB/T5789-1986	Bolt M8X35	7
2	KG240-01016	Oil Ruler Gasket	2
3	KG240-01015	Oil Ruler	1
4	KG240-01005	Crankcase Cover Gasket	1
5	KG160-01011	Location Pin of Crankcase Cover	2
6	KM168F-10008	Oil Draining Screw Gasket	2
7	KG240-01007	Oil Draining Screw	2
8	KM178F-01021	Oil Seal	2
9	KG270-01001-01	Cylinder Cover	1
10	KG280-01004	Cylinder Cover Gasket	1
11	KG240-01003	Cylinder Cove Bolt	4
12	KG240-01012	Location Pin of Cylinder Cover	2
13	KG280-01001	Cylinder Block	1
14	KG240-01013	Electric Wire Conduct	1
15	KG240-01018	Oil Filling Screw	1
16	KG240-01006	Crankcase Cover	1
17	GB/T276-1994	Rolling Bear 6206	1
18	KG240-01009	Speed Adjusting Shaft	1



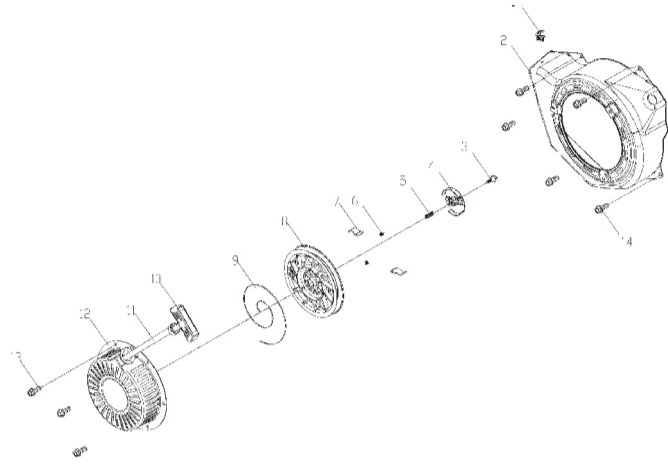
KG240-02000 Cylinder Cover Assembly

No.	Part No.	Description	Qty.
1	KG240-02017	Exhaust Pipe Stud	2
2	KG240-02015	Exhaust Pipe Gasket	1
3	KG240-02104	Outer Retain Ring of Exhaust Valve Pipe	1
4	KG240-02103	Exhaust Valve Seat	1
5	KG240-02105	Exhaust Valve Pipe	1
6	KG240-02005	Exhaust Valve	1
7	KG240-02004	Inlet Valve	1
8	KG240-02106	Inlet Valve Pipe	1
9	KG240-02102	Inlet Valve Seat	1
10	KG240-02022	Wind Shield	1
11	GB/T5789-1986	Bolt M6X12	1
12	KG240-02014	Inlet Pipe Gasket	1
13	KG240-02019	Insulation Block of Carburetor	1
14	KG240-02021	Carburetor Gasket A	1
15	KG240-02016	Inlet Pipe Stud	2
16	KG240-02001	Spring Seat of Inlet Valve	1
17	KG240-02011	Pushing Rod Plate	1
18	KG160-02007	Rocker-arm Shaft Bolt	2
19	KG240-02009	Valve Rocker-arm	2
20	KG160-02008	Rocker-arm Shaft	2
21	KG160-02016	Adjusting Nut of Rocker-arm Shaft	2
22	KG240-02003	Adjusting Gasket of Exhaust Valve	1
23	KG240-02002	Spring Seat of Exhaust Valve	1
24	KG240-02006	Valve Spring	2
25	KG240-02101	Cylinder Cover	1
26	KG240-02012	Oil Seal of Inlet Valve Pipe	1
27	KG240-02013	Lower Seal of Exhaust Valve Spring	1



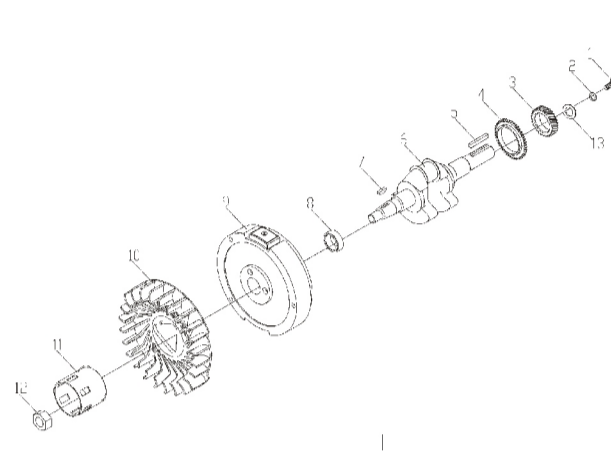
KG240-12000 Recoil Starter and Conduct Cover Assembly

No.	Part No.	Description	Qty.
1	KG240-12001	Oil Supplying Pipe Clip Hoop	1
2	KG240-12200	Air Conducting Cover Weldment	1
3	KG240-12006	Tighten Bolt	1
4	KG240-12005	Pallet Guide Plate	1
5	KG240-12004	Friction Spring	1
6	KG240-12007	Pallet Spring	2
7	KG240-12008	Pallet	2
8	KG240-12002	Starter Scroll	1
9	KG240-12003	Recoil Starter Spring	1
10	KG240-12011	Starting Handle	1
11	KG240-12009	Starting Pulling Rope	1
12	KG240-12100	Starter Outer Shell Weldment	1
13	GB/T5789-1986	Bolt M6X8	3
14	GB/T5789-1986	Bolt M6X12	5



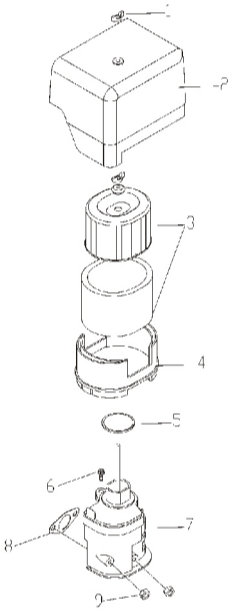
KG240-05000 Crankshaft Flywheel Assembly

No.	Part No.	Description	Qty.
1	KM186F-05007	Tighten Bolt of Output End	1
2	GB/T93-1987	Washer 10	1
3	KG240-05002	Crankshaft Timing Gear	1
4	KG240-05003	Speed Limitation Gear	1
5	GB/T1096-2003	Key 8X40	1
6	KG240D-05001	Crankshaft	1
7	KG160-05007	Key	1
8	GB/T276-1994	Rolling Bear 6206	1
9	KG240-05100	Flywheel Part	1
10	KG240-05005	Impeller	1
11	KG240-05201	Starting Claw Panel	1
12	KG240-05004	Flywheel Nut	1
13	KM178F-05008	Output End Washer	1



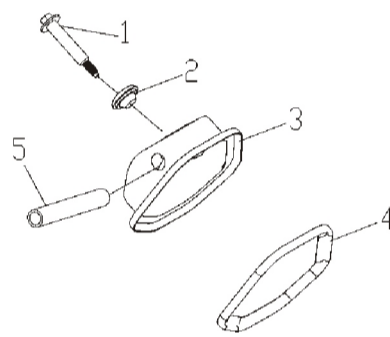
KG240-07000a Inlet system

No.	Part No.	Description	Qty.
1	GB/T62-1988	Butterfly Nut M6	2
2	KG240-07001a	Upper Cover Shell	1
3	KG240-07100a	Filter Element Part	1
4	KG240-07002a	Lower Cover Shell	1
5	KG240-07003a	Seal Gasket	1
6	GB/T5783-1986	Bolt M6X20	1
7	KG240-07200a	Base Seat Part	1
8	KG240-07004a	Carburetor Washer	1
9	GB/T6177.1-2000	Nut M8	2



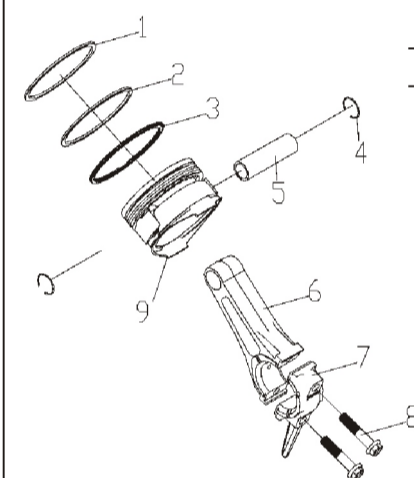
KG240-03000 Cylinder Cover Assembly

No.	Part No.	Description	Qty.
1	KG240-03003	Tighten Bolt of Cylinder Cover	1
2	KG240-03004	Tighten Bolt Washer of Cylinder Cover	1
3	KG240-03100	Cylinder Cover Part	1
4	KG240-03001	Seal Ring of Cylinder Cover	1
5	KG240-03002	Breathing Pipe	1



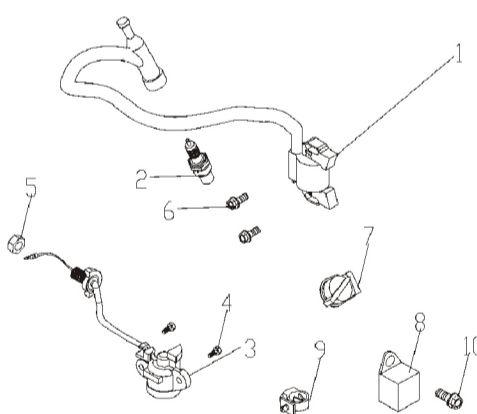
KG280-04000 Piston Connection Rod Assembly

No.	Part No.	Description	Qty.
1	KG270-04001	The 1st Air Ring	1
2	KG270-04002	The 2nd Air Ring	1
3	KG270-04100	Oil Ring Part	1
4	KG240-04005	Retain Ring	2
5	KG240-04004	Piston Pin	1
6	KG240-04201	Connection Rod	1
7	KG240-04202	Connection Rod Cover	1
8	KG240-04203	Connection Rod Bolt	2
9	KG280-04003	Piston	1



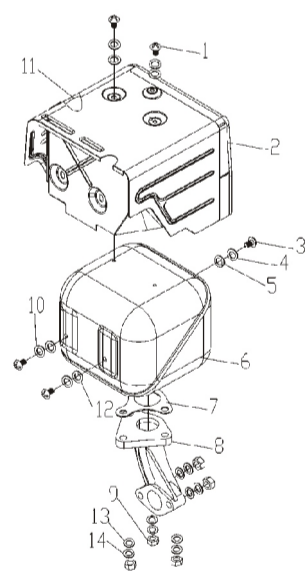
KG240-14000 Ignition System

No.	Part No.	Description	Qty.
1	KG240-14100	Ignition Coil	1
2	QC/T430-1999	Spark Plug WR7DC	1
3	KG240-14300	Oil Alarm	1
4	GB/5789-1986	Bolt M6X16	2
5	GB/T6177.1-2000	Nut M10	1
6	GB/5789-1986	Bolt M6X20	2
7	KG160-14200	Engine Switch	1
8		Amplifier	1
9	KG160-14001	Coil	1
10	GB/T5789-1986	Bolt M6X12	1



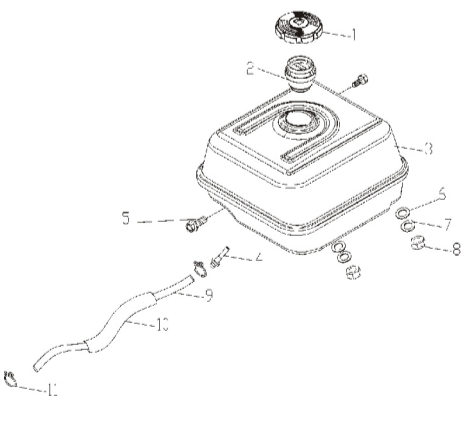
KG270-08000 Exhaust System

No.	Part No.	Description	Qty.
1	GB/T818-2000	Screw M5X10	4
2	KG270-08200	Cover Sheel Weldment	1
3	GB/T818-2000	Screw M6X10	1
4	GB/T93-1987	Washer 6	1
5	GB/T97.1-2002	Washer 6	1
6	KG270-08100	Muffler Weldment	1
7	KG240-08002	Muffler Gasket	1
8	KG270-08001	Exhaust Pipe	1
9	GB/T6170-2000	Nut M8	5
10	GB/T93-1987	Washer 5	4
11	KG270-08300	Spark Catcher	1
12	GB/T97.1-2002	Washer 5	4
13	GB/T97.1-2002	Washer 8	5
14	GB/T93-1987	Washer 8	5



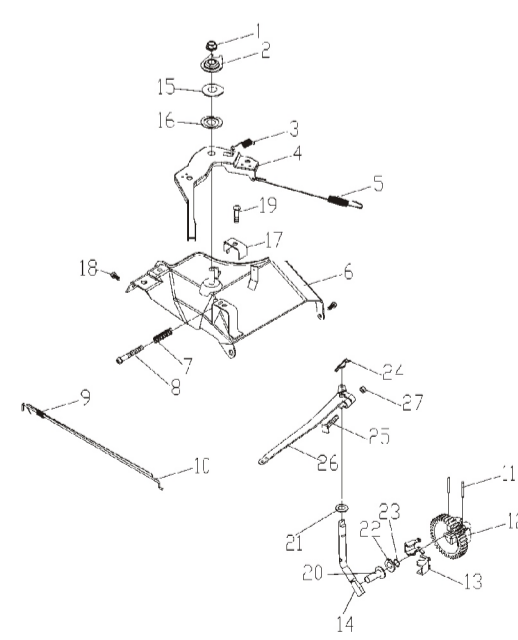
KG240-09000 Fuel System

No.	Part No.	Description	Qty.
1	KG160-09200	Fuel Tank Cover Part	1
2	KG160-09400	Strainer Part	1
3	KG240-09100	Fuel Tank Weldment	1
4	KG160-09300	Nozzle Subassembly	1
5	GB/T5789-1986	Bolt M8X25	2
6	GB/T97.1-2002	Washer 8	2
7	GB/T93-1987	Washer 8	2
8	GB/T6170-2000	Nut M8	2
9	KG240-09002	Oil Supplying Pipe	1
10	KG240-09004	Oil Supplying Pipe Sheath	1
11	KG160-09003	Clip Hoop	2



KG240-11000 Speed Adjusting and Operating System

No.	Part No.	Description	Qty.
1	GB/T6187.1-2000	Nut M6	1
2	KG240-11203	Tighten Gasket	1
3	KG240-11206	Speed Adjusting Spring	1
4	KG240-11201	Speed Adjusting Handle	1
5	KG240-11003	Speed Adjusting Spring	1
6	KG240-11210	Supporting Plate Weldment	1
7	KG160-11205	Adjusting Spring	1
8	GB/T818-2000	Screw M5X30	1
9	KG240-11001	Idle Adjusting Spring	1
10	KG240-11002	Speed Adjusting Pulling Rod	1
11	KG240-11003	Fly Ball Pin	2
12	KG240-11001	Speed Adjusting Gear	1
13	KG240-11002	Fly Ball	2
14	KG240-11005	Speed Limitation Pushing Rod	1
15	KG160-11202	Baddle Washer	1
16	KG160-11204	Friction Sheet	1
17	KG160-11208	Pulling Wire Cover	1
18	GB/T5789-1986	Bolt M6X12	2
19	GB/T818-2000	Screw M5X15	1
20	KG240-11004	Sliding Bush	1
21	KG240-11008	Pushing Rod Gasket	1
22	KG160-11006	Gasket	1
23	KG160-11009	Retain Ring	1
24	KG240-11012	Clip Spring	1
25	KG160-11007	Square Head Bolt	1
26	KG240-11011	Speed Adjusting Arm	1
27	GB/T6177.1-2000	Nut M6	1



KG270-06000 Camshaft Assembly

No.	Part No.	Description	Qty.
1	KG240-06002	Valve Pushing Rod	2
2	KG240-06001	Valve Tappet	2
3	KG270-06108	Camshaft	1
4	KG240-06106	Shifting Fork Pin	1
5	KG240-06107	Shifting Fork	1
6	KG240-06101	Swinging Arm	1
7	KG240-06105	Centrifugal Block of Reductor	1
8	KG240-06104	Swinging Arm Pin	1
9	KG240-06102	Decompression Spring Pin	1
10	KG160-06103	Pulling Spring	1

