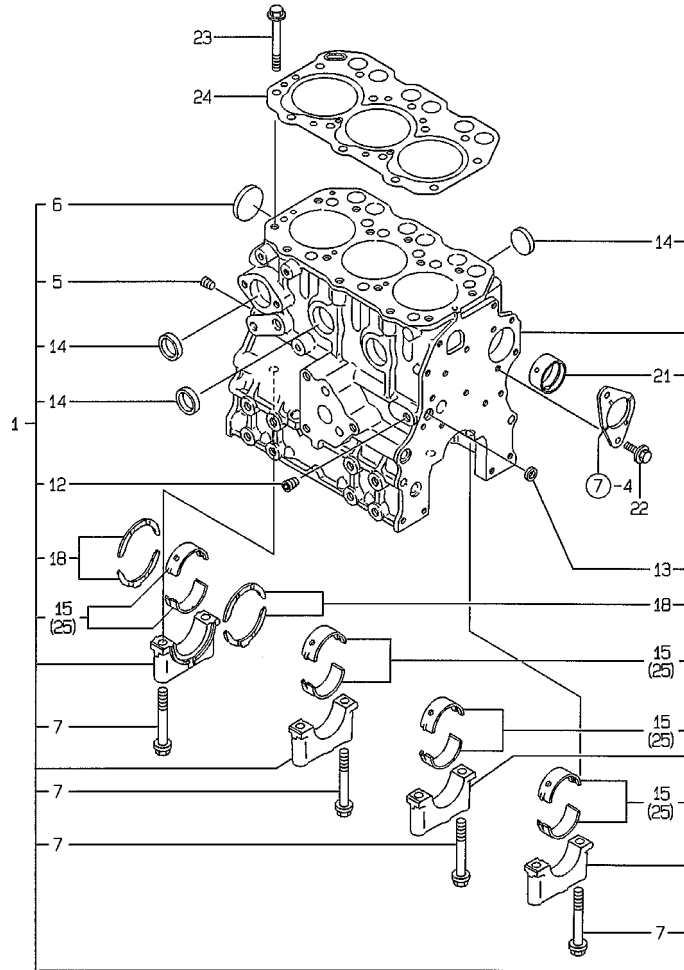


Fig.1. CYLINDER BLOCK

Y00R5260 1. CYLINDER BLOCK

(A)=3TNE74-SA (D)=3TNE74C(E)SA
 (B)=3TNE74-G1A (E)=3TNE74C(E)G1
 (C)=3TNE74-G2A01 (F)=

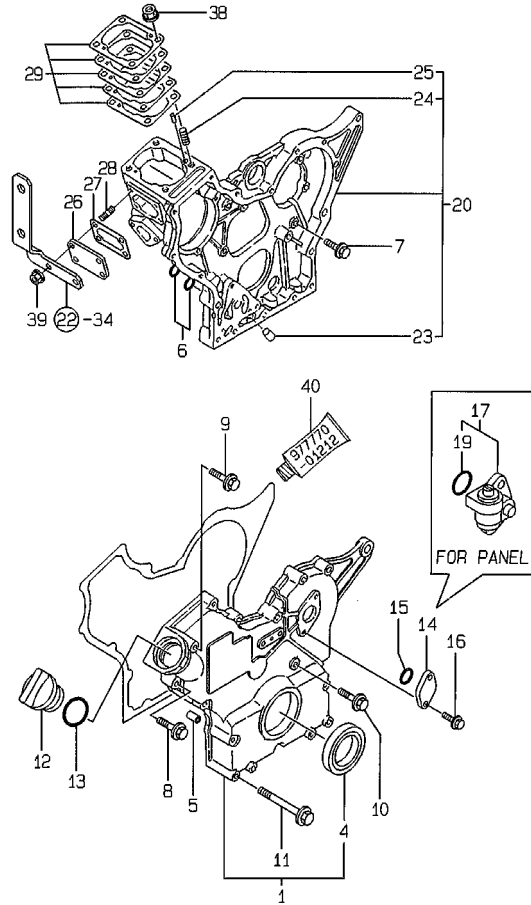


REF.	LEV.	PARTS NO.	DESCRIPTION	QTY						I	R
				(A)	(B)	(C)	(D)	(E)	(F)		
1	1	719623-01560	BLOCK ASSY, CYLINDER	1	1	1	1	1			
5	2	119600-01050	PLUG PT1/4	1	1	1	1	1			
6	2	27231-450000	PLUG 45	1	1	1	1	1			
6-1	2	119623-01250	PLUG 45	1	1	1	1	1		N	
		(A=E6XXX)	(B=E6XXX)	(C=E6XXX)	(D=E6XXX)	(E=E6XXX)					
7	2	119620-02020	BOLT	8	8	8	8	8			
12	2	23871-010000	PLUG PT1/8,SCREW	1	1	1	1	1			
12-1	2	23876-010000	PLUG PT1/8,SCREW	1	1	1	1	1		N	
		(A=E6XXX)	(B=E6XXX)	(C=E6XXX)	(D=E6XXX)	(E=E6XXX)					
13	2	27241-120000	PLUG 12	1	1	1	1	1			
14	2	27241-300000	PLUG 30	6	6	6	6	6			
15	2	719620-02800	MAIN BEARING	4	4	4	4	4			
18	2	719620-02930	BEARING, THRUST	2	2	2	2	2			
21	2	119624-02410	BUSH	1	1	1	1	1			
22	1	26106-060122	BOLT M 6X 12 PLATED	2	2	2	2	2			
23	1	119620-01200	BOLT, CYLINDER HEAD	14	14	14	14	14			
24	1	119623-01330	GASKET, CYL. HEAD	1	1	1	1	1			
24-1	1	119623-01340	GASKET, CYL. HEAD	1	1	1	1	1		R	
		(A=E62646)	(B=E63875)	(C=E62793)	(D=E62785)	(E=E62734)					
25	1	719620-02870	MAIN BEARING US=0.25	4	4	4	4	4		1	

Remarks
 (1)UNDER-SIZE(U.S=0.25)PART.

Fig.2. GEAR HOUSING

(A)=3TNE74-SA (D)=3TNE74C(E)SA
 (B)=3TNE74-G1A (E)=3TNE74C(E)G1
 (C)=3TNE74-G2A01 (F)=

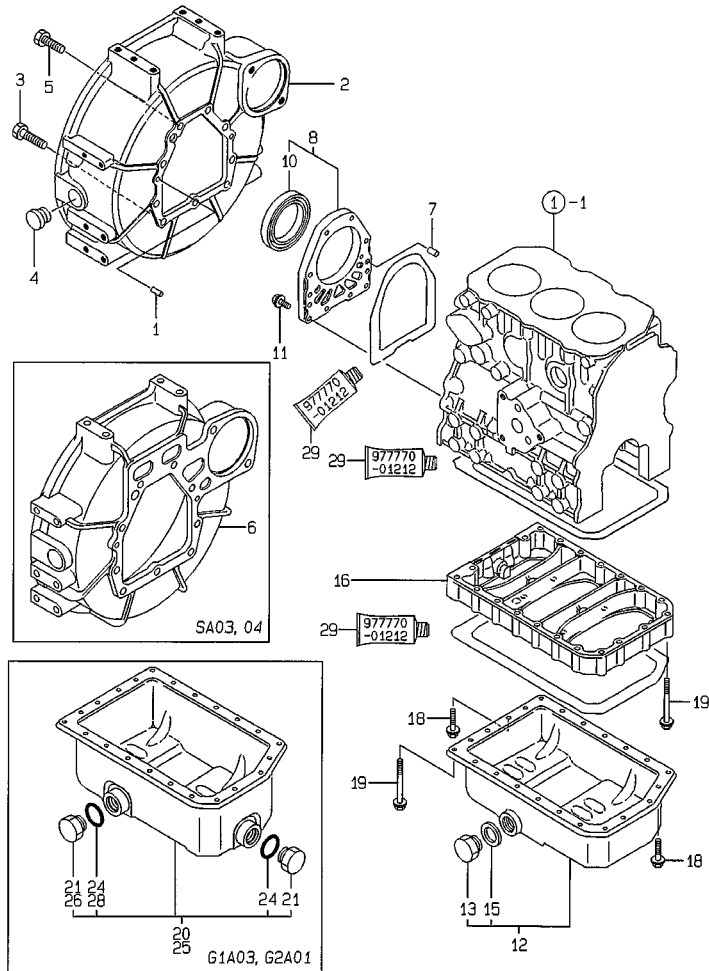


REF.	LEV.	PARTS NO.	DESCRIPTION	QTY						I	R
				(A)	(B)	(C)	(D)	(E)	(F)		
1	1	119610-01590	COVER ASSY, HOUSING	1	1	1	1	1	1		
4	2	119620-01800	SEAL HTC456208, OIL	1	1	1	1	1	1		
5	1	119660-01911	PIPE, KNOCK	4	4	4	4	4	4		
6	1	119624-32040	O-RING P 12.0	2	2	2	2	2	2		
7	1	26106-060162	BOLT M 6X 16 PLATED	7	7	7	7	7	7		
8	1	26106-060302	BOLT M 6X 30 PLATED	8	8	8	8	8	8		
9	1	26106-060602	BOLT M 6X 60 PLATED	1	1	1	1	1	1		
10	1	26106-060602	BOLT M 6X 60 PLATED	3	3	3	3	3	3		
11	1	26106-060802	BOLT M 6X 80 PLATED	6	6	6	6	6	6		
12	1	124160-01751	COVER, FILLER	1	1	1	1	1	1		
13	1	24311-000320	O-RING 1A P-32.0	1	1	1	1	1	1		
14	1	121023-01550	COVER, BLIND	1	1	1	1	1	1		
15	1	24341-000240	O-RING 1A S-24.0	1	1	1	1	1	1		
16	1	26106-060162	BOLT M 6X 16 PLATED	2	2	2	2	2	2		
17	1	129150-91400	GEAR UNIT, TACHOMETER	1	1	1	1	1	1		
19	2	24341-000240	O-RING 1A S-24.0	1	1	1	1	1	1		
20	1	119610-01490	HOUSING ASSY, GEAR	1	1	1	1	1	1		
23	2	119660-01510	PLUG 10X14	1	1	1	1	1	1		
24	2	121450-01560	STUD M 8X 22	4	4	4	4	4	4		
25	2	22351-040010	SPRING PIN 4X10	2	2	2	2	2	2		
26	1	119660-01551	COVER	1	1	1	1	1	1		
27	1	119660-01562	GASKET, (NON-ASB.)	1	1	1	1	1	1		
28	1	119660-01570	STUD M6X12	4	4	4	4	4	4		
29	1	119623-01950	SHIM PACK	1	1	1	1	1	1		
38	1	194990-22050	NUT W/WASHER 8	4	4	4	4	4	4		
39	1	26366-060002	NUT M 6	4	4	4	4	4	4		
40	1	977770-01212	GASKET, LIQUID	1	1	1	1	1	1		1

Remarks
 (1) OPTIONAL PART.

(A)=3TNE74-SA (D)=3TNE74C(E)SA
 (B)=3TNE74-G1A (E)=3TNE74C(E)G1
 (C)=3TNE74-G2A01 (F)=

Fig.3. FLYWHEEL HOUSING & OIL SUMP

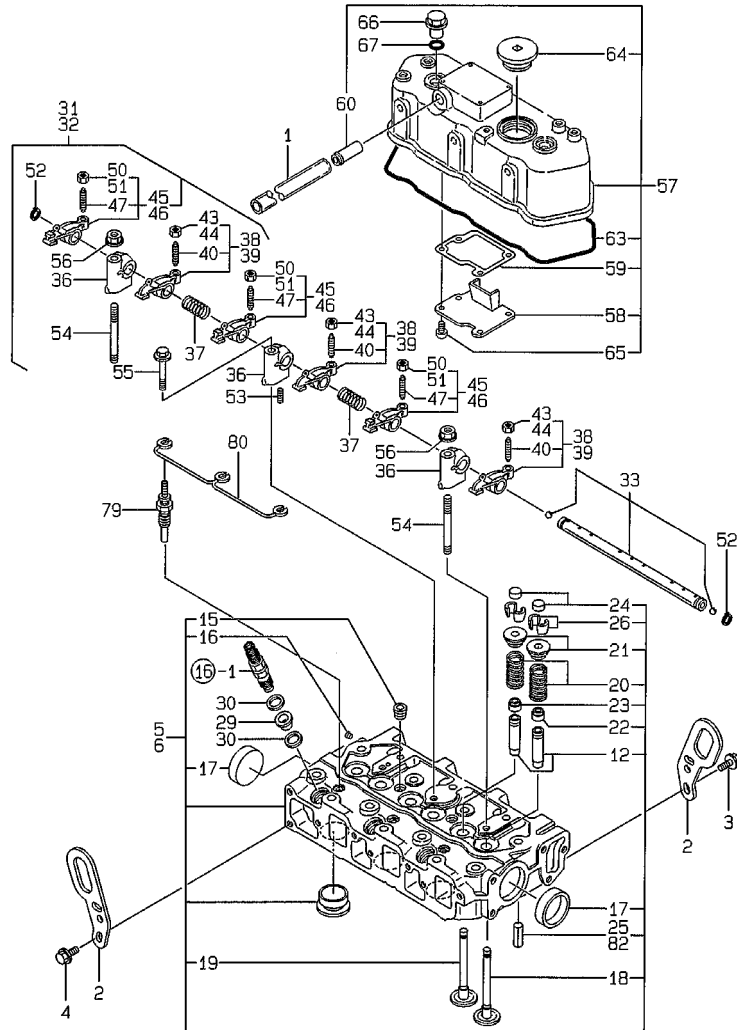


REF.	LEV.	PARTS NO.	DESCRIPTION	QTY						I	R
				(A)	(B)	(C)	(D)	(E)	(F)		
1	1	129100-01580	PARALLEL PIN 8X16	2	2	2	2	2			
2	1	119280-01600	FLANGE, MOUNTING	1	1	1	1	1		1	
2-1	1	119280-01601	HOUSING, FLYWHEEL	1	1	1	1	1		N 1	
		(A=E62091)	(B=E62086)	(C=E62627)	(D=E62638)	(E=E62179)					
3	1	121120-01620	BOLT M 10X 28	3	3	3	3	3			
4	1	119620-01750	CAP, FLYWHEEL COVER	1	1	1	1	1			
5	1	26206-100252	BOLT M10X25	6	6	6	6	6			
6	1	119600-01600	HOUSING, FLYWHEEL	1						2	
7	1	119620-01620	PARALLEL PIN 6X10	2	2	2	2	2			
8	1	119660-01640	CASE ASSY, OIL SEAL	1	1	1	1	1			
10	2	124085-02220	SEAL, OIL	1	1	1	1	1			
11	1	26106-060222	BOLT M 6X 22 PLATED	10	10	10	10	10			
12	1	719631-01540	SUMP ASSY, LUB. OIL	1	1		1	1		3	
13	2	119640-01640	DRAIN PLUG M22	1	1		1	1		3	
15	2	22190-220002	SEAL WASHER 22S	1	1		1	1		3	
16	1	119600-01722	SPACER, OIL SUMP	1	1	1	1	1			
18	1	26106-060122	BOLT M 6X 12 PLATED	3	3	3	3	3			
19	1	26106-060452	BOLT M 6X 45 PLATED	20	20	20	20	20			
20	1	119600-01770	SUMP ASSY, LUB. OIL				1				
21	2	171301-01640	PLUG M22				2				
24	2	24341-000250	O-RING 1A S-25.0				2				
25	1	119623-01770	SUMP ASSY, OIL		1					4	
26	2	119640-01640	DRAIN PLUG M22		1					4	
28	2	22190-220002	SEAL WASHER 22S		1					4	
29	1	97770-01212	GASKET, LIQUID	1	1	1	1	1		5	

Remarks
 (1) FOR 3TNE74-SA01,SA02.
 (2) FOR 3TNE74-SA03,SA04.
 (3) FOR 3TNE74-G1A01.
 (4) FOR 3TNE74-G1A03.
 (5) OPTIONAL PART.

(A)=3TNE74-SA (D)=3TNE74C(E)SA
 (B)=3TNE74-G1A (E)=3TNE74C(E)G1
 (C)=3TNE74-G2A01 (F)=

Fig.4. CYLINDER HEAD & BONNET



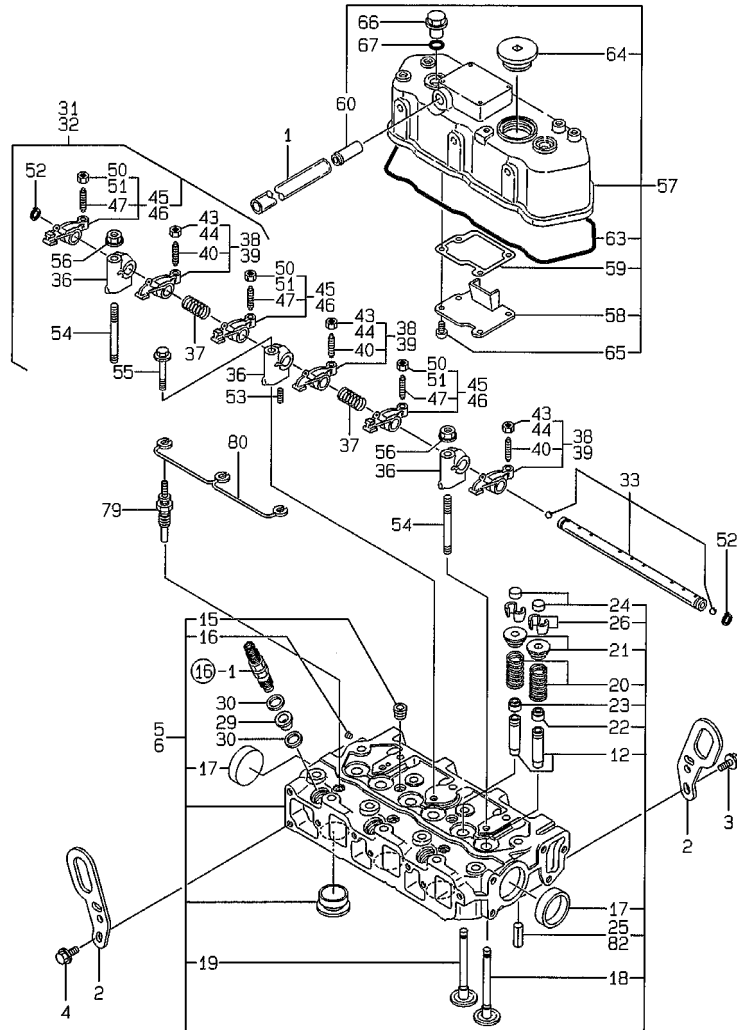
REF.	LEV.	PARTS NO.	DESCRIPTION	QTY						I	R
				(A)	(B)	(C)	(D)	(E)	(F)		
1	1	23065-120500	PIPE, VINYL 12X 500	1	1	1	1	1			
2	1	119260-07900	LIFTER, ENGINE	2	2	2	2	2			
3	1	26106-080142	BOLT M 8X 14 PLATED	1	1	1	1	1			
4	1	26106-080142	BOLT M 8X 14 PLATED	2	2	2	2	2			
5	1	719623-11710	HEAD ASSY, CYLINDER			1					
6	1	719623-11700	HEAD ASSY, CYLINDER	1	1		1	1			
12	2	119620-11801	GUIDE, VALVE	6	6	6	6	6		1	
15	2	23871-020000	PLUG PT1/4,SCREW	2	2	2	2	2			
15-1	2	23876-020000	PLUG 1/4	2	2	2	2	2		N	
		(A=EXXX)	(B=EXXX)	(C=EXXX)	(D=EXXX)	(E=EXXX)					
16	2	27221-050080	PLUG 5X 8	1	1	1	1	1			
17	2	27241-400000	PLUG 40	2	2	2	2	2			
18	2	119623-11100	VALVE, INTAKE	3	3	3	3	3			
19	2	119620-11110	VALVE, EXHAUST	3	3	3	3	3			
20	2	119620-11120	SPRING, VALVE	6	6	6	6	6			
21	2	119620-11180	RETAINER, SPRING	6	6	6	6	6			
22	2	124160-11340	SEAL, VALVE STEM	3	3	3	3	3			
23	2	124950-11340	SEAL, VALVE STEM	3	3	3	3	3			
24	2	104211-11370	CAP, VALVE	6	6	6	6	6			
25	2	22351-060012	SPRING PIN 6X12	2	2		2	2			
26	2	27310-070000	COTTER 7	6	6	6	6	6			
29	1	119600-11450	PROTECTOR, NOZZLE	3	3	3	3	3			
30	1	119600-11460	GASKET, NOZZLE	6	6	6	6	6			
31	1	119620-11200	SUPPORT ASSY, ARM	1		1	1				
32	1	119789-11200	SUPPORT ASSY, ARM		1			1			
33	2	119620-11240	SHAFT ASSY, ROCKER	1	1	1	1	1			
36	2	119620-11260	SUPPORT, ROCKER ARM	3	3	3	3	3			
37	2	119620-11280	SPRING	2	2	2	2	2			
38	2	719620-11650	ARM ASSY, ROCKER	3		3	3				
39	2	719789-11650	ARM ASSY, ROCKER		3			3			
40	3	105010-11230	SCREW, VALVE	3	3	3	3	3			
43	3	26856-060002	LOCK NUT 6	3		3	3				
44	3	26756-060002	LOCK NUT 6		3			3			
45	2	719620-11660	ARM ASSY, ROCKER	3		3	3				
46	2	719789-11660	ARM ASSY, ROCKER		3			3			
47	3	105010-11230	SCREW, VALVE	3	3	3	3	3			
50	3	26856-060002	LOCK NUT 6	3		3	3				
51	3	26756-060002	LOCK NUT 6		3			3			
52	2	22242-000120	CIRCLIP 12	2	2	2	2	2			
53	2	26979-050162	SCREW M 5X16	1	1	1	1	1			
54	1	119620-11350	STUD	2	2	2	2	2			
55	1	26106-080452	BOLT M 8X 45 PLATED	1	1	1	1	1			
56	1	26366-080002	NUT M 8	2	2	2	2	2			
56-1	1	26306-080002	NUT	2	2	2	2	2		N	
		(A=EXXX)	(B=EXXX)	(C=EXXX)	(D=EXXX)	(E=EXXX)					
57	1	119657-11350	BONNET ASSY	1	1	1	1	1			
57-1	1	119657-11351	BONNET ASSY	1	1	1	1	1		N	
		(A=E62751)	(B=E63875)	(C=E62783)	(D=E62785)	(E=E62767)					
58	2	119620-03020	PLATE, SHELTER	1	1	1	1	1			
59	2	119620-03031	GASKET, (NON-ASB.)	1	1	1	1	1			
60	2	118400-03060	JOINT, BREATHER	1	1	1	1	1			
63	2	119620-11310	GASKET, BONNET	1	1	1	1	1			
64	2	119807-11770	CAP, LUB.OIL SUPPLY	1	1	1	1	1			
65	2	22857-500100	SCREW 5X10,TAPPING	4	4	4	4	4			

Remarks
 (1) REPAIR PART.

++ CONTINUE ++

(A)=3TNE74-SA (D)=3TNE74C(E)SA
 (B)=3TNE74-G1A (E)=3TNE74C(E)G1
 (C)=3TNE74-G2A01 (F)=

Fig.4. CYLINDER HEAD & BONNET

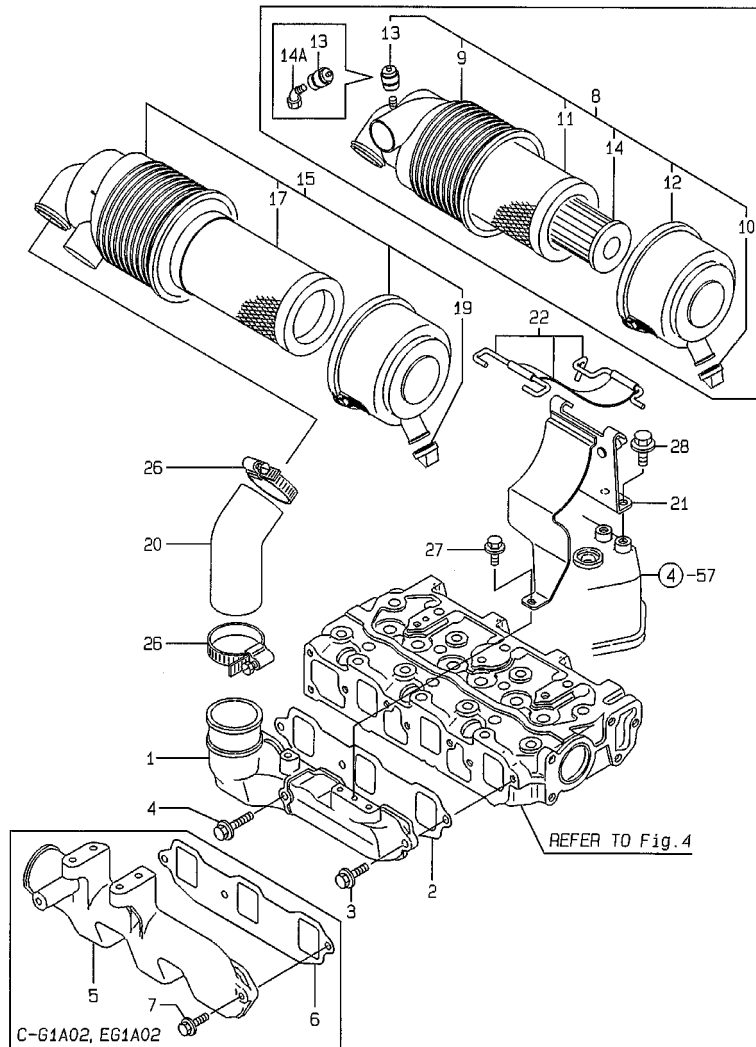


REF.	LEV.	PARTS NO.	DESCRIPTION	QTY						I	R
				(A)	(B)	(C)	(D)	(E)	(F)		
66	1	124160-11360	KNOB	2	2	2	2	2			
67	1	24311-000120	O-RING 1A P 12.0	2	2	2	2	2			
79	1	129795-77800	PLUG, GLOW	3	3	3	3	3			
80	1	119620-77820	CONNECTOR, GLOW PLUG	1	1	1	1	1			
82	1	22351-060012	SPRING PIN 6X12			2					

Remarks
 (1) REPAIR PART.

(A)=3TNE74-SA (D)=3TNE74C(E)SA
 (B)=3TNE74-G1A (E)=3TNE74C(E)G1
 (C)=3TNE74-G2A01 (F)=

Fig.5. SUCTION MANIFOLD & AIR CLEANER

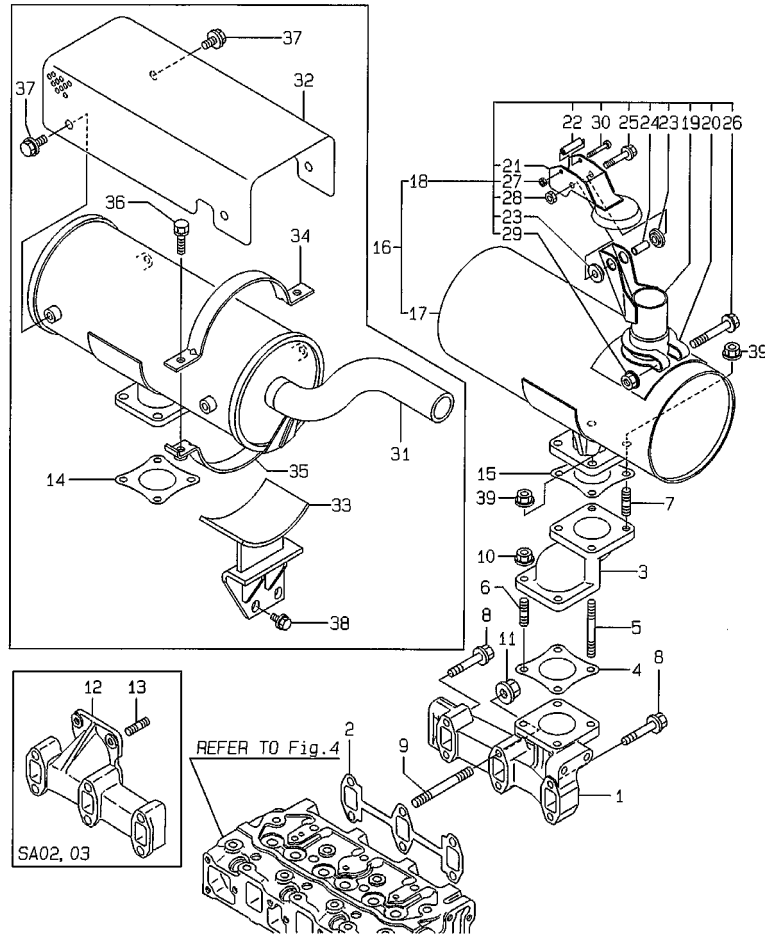


REF.	LEV.	PARTS NO.	DESCRIPTION	QTY						I	R
				(A)	(B)	(C)	(D)	(E)	(F)		
1	1	119660-12101	MANIFOLD,AIR INTAKE	1	1	1	1	1	1		1
2	1	119660-12111	GASKET, SUC.MANIFOLD	1	1	1	1	1	1		1
3	1	26106-060162	BOLT M 6X 16 PLATED	2	2	2	2	2	2		1
4	1	26106-060402	BOLT M 6X 40 PLATED	1	1	1	1	1	1		1
5	1	119645-12100	MANIFOLD, AIR INTAKE								2
6	1	119620-12111	GASKET, (NON-ASB.)							1	2
7	1	26106-060202	BOLT M 6X 20 PLATED							6	2
8	1	119626-12500	CLEANER, AIR	1	1	1	1	1	1		
8-1	1	119626-12501	CLEANER, AIR	1	1	1	1	1	1		R
		(A=E62091)	(B=E62086)	(C=E62627)	(D=E62638)	(E=E62179)					
9	2	119626-12510	BODY	1	1	1	1	1	1		
10	2	119808-12540	VALVE, UNLOADER	1	1	1	1	1	1		
11	2	119655-12560	ELEMENT	1	1	1	1	1	1		
12	2	105027-12570	COVER, AIR CLEANER	1	1	1	1	1	1		
13	2	126650-12680	INDICATOR	1	1	1	1	1	1		
14	2	119233-12700	ELEMENT, SAFETY	1	1	1	1	1	1		
14A	2	119626-12800	ORIFICE	1	1	1	1	1	1		W
		(A=E62091)	(B=E62086)	(C=E62627)	(D=E62638)	(E=E62179)					
15	1	119653-12500	CLEANER ASSY, AIR	1	1	1	1	1	1		
17	2	119655-12560	ELEMENT	1	1	1	1	1	1		
19	2	119808-12540	VALVE, UNLOADER	1	1	1	1	1	1		
20	1	119653-12550	PIPE, AIR INTAKE	1	1	1	1	1	1		1
21	1	119789-12600	SUPPORT,AIR CLEANER	1	1	1	1	1	1		1
22	1	119865-12600	STAY	1	1	1	1	1	1		1
26	1	23000-054000	CLAMP 54	2	2	2	2	2	2		1
27	1	26106-060122	BOLT M 6X 12 PLATED	1	1	1	1	1	1		1
28	1	26106-080142	BOLT M 8X 14 PLATED	2	2	2	2	2	2		1

Remarks
 (1) FOR 3TNE74C-G1A01,EG1A01.
 (2) FOR 3TNE74C-G1A02,EG1A02.

Fig.6. EXHAUST MANIFOLD & SILENCER

(A)=3TNE74-SA (D)=3TNE74C(E)SA
 (B)=3TNE74-G1A (E)=3TNE74C(E)G1
 (C)=3TNE74-G2A01 (F)=

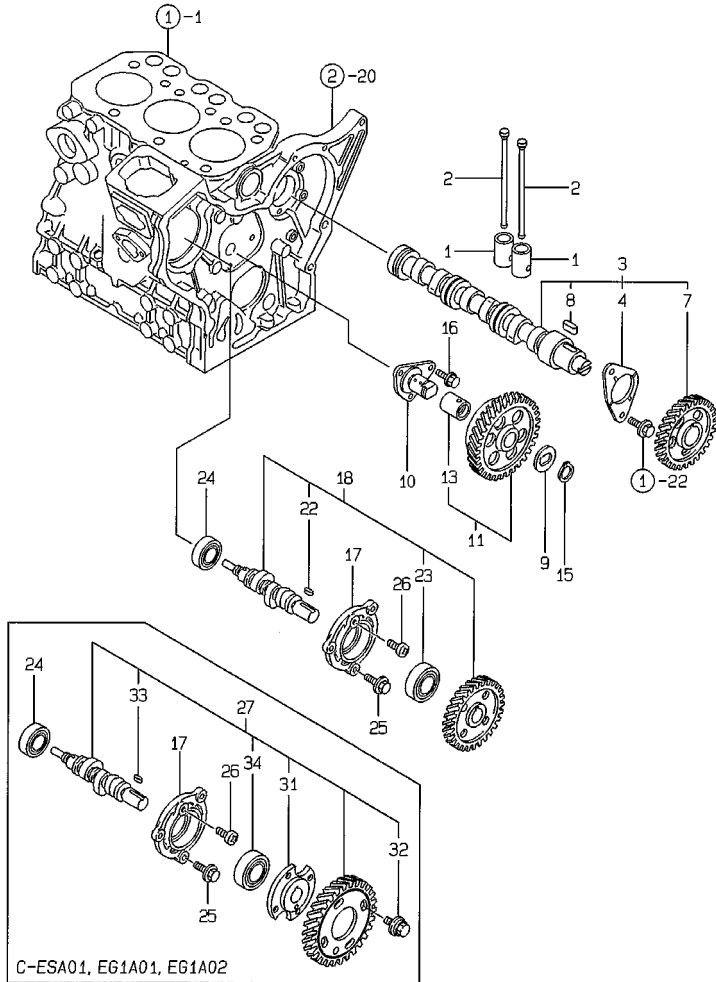


REF.	LEV.	PARTS NO.	DESCRIPTION	QTY						I	R
				(A)	(B)	(C)	(D)	(E)	(F)		
1	1	119631-13101	MANIFOLD, EXHAUST	1	1	1	1	1	1		1
2	1	119620-13110	GASKET, EXH.MANIFOLD	1	1	1	1	1	1		
3	1	119840-13150	PIPE, EXHAUST	1	1	1	1	1	1		1
4	1	121000-13201	GASKET, SILENCER	1	1	1	1	1	1		
5	1	119823-13600	BOLT M8X70	2	2	2	2	2	2		1
6	1	119131-18320	BOLT M 8X 22	2	2	2	2	2	2		1
7	1	119131-18320	BOLT M 8X 22	2	2	2	2	2	2		1
8	1	26106-080402	BOLT M 8X 40 PLATED	4	4	4	4	4	4		
9	1	26216-080552	STUD M 8X 55 PLATED	2	2	2	2	2	2		
10	1	26366-080002	NUT M 8	2	2	2	2	2	2		
10-1	1	26306-080002	NUT	2	2	2	2	2	2		N
		(A=EXXX) (B=EXXX) (C=EXXX) (D=EXXX) (E=EXXX)									
11	1	26366-080002	NUT M 8	2	2	2	2	2	2		
11-1	1	26306-080002	NUT	2	2	2	2	2	2		N
		(A=EXXX) (B=EXXX) (C=EXXX) (D=EXXX) (E=EXXX)									
12	1	119600-13100	MANIFOLD, EXHAUST	1							2
13	1	119131-18320	BOLT M 8X 22	4							2
14	1	121000-13201	GASKET, SILENCER	1	1	1	1	1	1		
14-1	1	124701-11911	GASKET, (NON-ASB.)	1	1	1	1	1	1		R
		(A=E62751) (B=E63875) (C=E62793) (D=E62785) (E=E62767)									
15	1	121000-13201	GASKET, SILENCER	1	1	1	1	1	1		
16	1	119620-13501	SILENCER	1	1	1	1	1	1		1
17	2	119620-13510	MUFFLER BODY ASSY	1	1	1	1	1	1		1
18	2	119620-13520	TAILPIPE ASSY	1	1	1	1	1	1		1
19	3	119620-13560	TAILPIPE	1	1	1	1	1	1		1
20	3	124664-13580	CLAMP	1	1	1	1	1	1		1
21	3	119358-13640	RAINCAP, MUFFLER	1	1	1	1	1	1		1
22	3	121855-13821	SPACER(A)	1	1	1	1	1	1		1
23	3	121855-13830	SPACER(B)	2	2	2	2	2	2		1
24	3	123500-13840	SPACER(C)	1	1	1	1	1	1		1
25	3	26106-060402	BOLT M 6X 40 PLATED	1	1	1	1	1	1		1
26	3	26106-080552	BOLT M 8X 55 PLATED	1	1	1	1	1	1		1
27	3	26347-040002	U-NUT M 4	1	1	1	1	1	1		1
28	3	26347-060002	U-NUT 6	1	1	1	1	1	1		1
29	3	26366-080002	NUT M 8	1	1	1	1	1	1		1
29-1	3	26306-080002	NUT	1	1	1	1	1	1		N 1
		(A=EXXX) (B=EXXX) (C=EXXX) (D=EXXX) (E=EXXX)									
30	3	26557-040352	SCREW M 4X 35	1	1	1	1	1	1		1
31	1	119888-13501	SILENCER	1	1	1	1	1	1		
31-1	1	119888-13502	SILENCER	1	1	1	1	1	1		N
		(A=EXXX) (B=EXXX) (C=EXXX) (D=EXXX) (E=EXXX)									
32	1	119888-13600	COVER, SILENCER	1				1			1
33	1	119688-13651	STAY, SILENCER	1				1			1
34	1	119888-13670	BAND (UPPER)	1				1			1
35	1	119888-13680	BAND (LOWER)	1				1			1
36	1	26014-080302	BOLT M 8X 30	2				2			1
37	1	26106-080122	BOLT M 8X 12 PLATED	4				4			1
38	1	26106-080162	BOLT M 8X 16 PLATED	2				2			1
39	1	26366-080002	NUT M 8	4	4	4	4	4	4		1
39-1	1	26306-080002	NUT	4	4	4	4	4	4		N 1
		(A=EXXX) (B=EXXX) (C=EXXX) (D=EXXX) (E=EXXX)									

Remarks
 (1) FOR 3TNE74-SA01,04.
 (2) FOR 3TNE74-SA02,03.

Fig.7. CAMSHAFT & DRIVING GEAR

(A)=3TNE74-SA (D)=3TNE74C(E)SA
 (B)=3TNE74-G1A (E)=3TNE74C(E)G1
 (C)=3TNE74-G2A01 (F)=

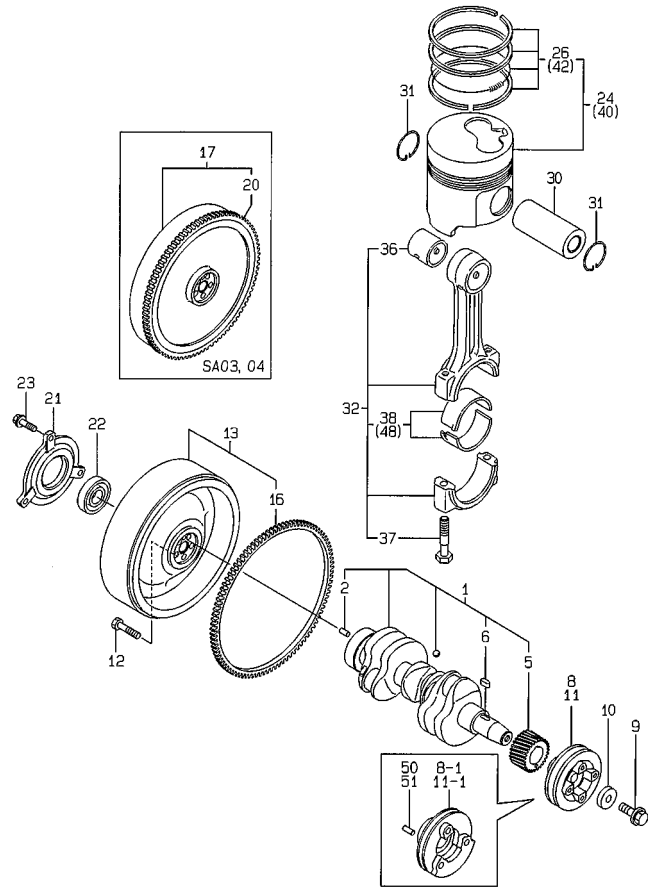


REF.	LEV.	PARTS NO.	DESCRIPTION	QTY						I	R
				(A)	(B)	(C)	(D)	(E)	(F)		
1	1	119620-14200	TAPPET	6	6	6	6	6			
2	1	119620-14401	ROD, PUSH	6	6	6	6	6			
3	1	119629-14580	CAMSHAFT ASSY	1	1	1	1	1			
4	2	119620-02450	BEARING, THRUST	1	1	1	1	1			
7	2	119620-14100	GEAR, CAMSHAFT	1	1	1	1	1			
8	2	22512-040120	KEY 4X 12	1	1	1	1	1			
9	1	119660-25022	RETAINER, IDLE GEAR	1	1	1	1	1			
10	1	119660-25052	SHAFT, IDLE GEAR	1	1	1	1	1			
11	1	119620-25102	GEAR W/BUSH, IDLE	1	1	1	1	1			
13	2	119620-25912	BUSH	1	1	1	1	1		1	
15	1	22242-000200	CIRCLIP 20	1	1	1	1	1			
16	1	26106-060122	BOLT M 6X 12 PLATED	3	3	3	3	3			
17	1	119660-01821	BEARING, FUEL CAM.	1	1	1	1	1			
18	1	719660-14590	CAM ASSY, F.I. PUMP	1	1	1	1	1		2	
22	2	22512-040120	KEY 4X 12	1	1	1	1	1		2	
23	2	24102-063034	BALL BEARING 6303U	1	1	1	1	1		2	
24	1	24101-062034	BALL BEARING	1	1	1	1	1			
25	1	26106-060162	BOLT M 6X 16 PLATED	3	3	3	3	3			
26	1	26587-080102	SCREW M 8X 10	1	1	1	1	1			
27	1	719660-14600	CAM ASSY, F.I. PUMP				1	1		3	
31	2	119660-25920	FLANGE				1	1		3	
32	2	119660-25930	THREAD, FI-P GEAR				4	4		3	
33	2	22512-040120	KEY 4X 12				1	1		3	
34	2	24102-063034	BALL BEARING 6303U				1	1		3	

Remarks
 (1) REPAIR PART.
 (2) FOR 3TNE74C-SA01,G1A01,G1A02.
 (3) FOR 3TNE74C-ESA01,EG1A01,EG1A02.

Fig.8. CRANKSHAFT & PISTON

(A)=3TNE74-SA (D)=3TNE74C(E)SA
 (B)=3TNE74-G1A (E)=3TNE74C(E)G1
 (C)=3TNE74-G2A01 (F)=

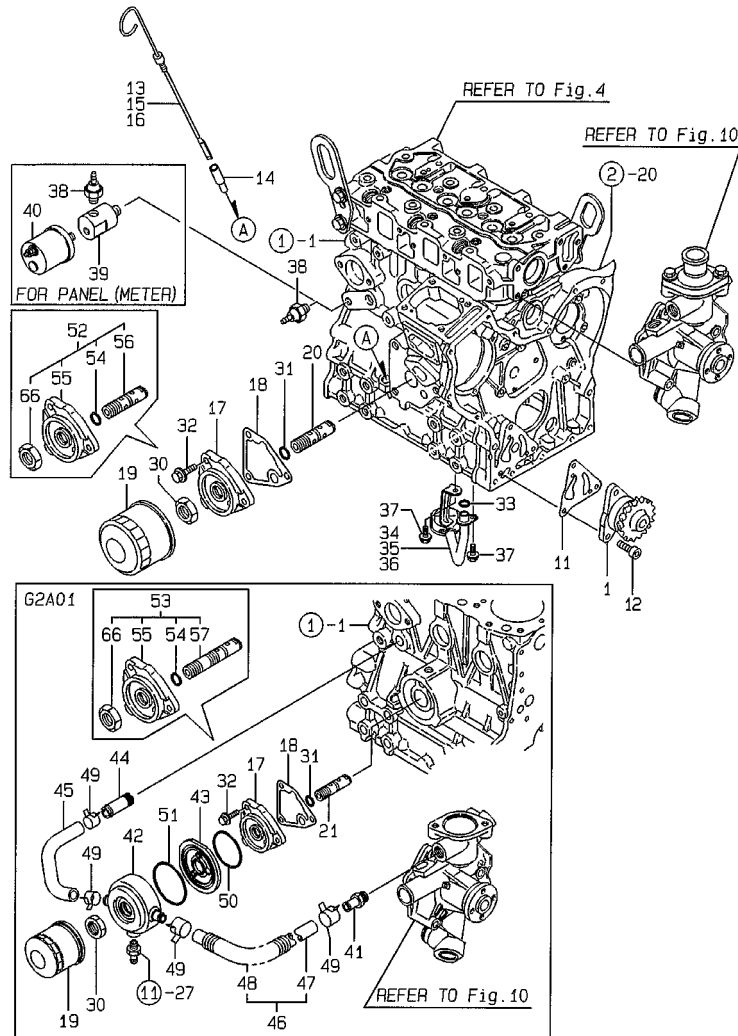


REF.	LEV.	PARTS NO.	DESCRIPTION	QTY						I	R
				(A)	(B)	(C)	(D)	(E)	(F)		
1	1	119623-21700	CRANKSHAFT ASSY	1	1	1	1	1			
2	2	129100-01580	PARALLEL PIN 8X16	1	1	1	1	1			
5	2	119644-21200	CRANKGEAR	1	1	1	1	1			
6	2	22512-040120	KEY 4X 12	1	1	1	1	1			
8	1	119660-21651	V-PULLEY	1	1	1	1	1			1
8-1	1	119653-21660	V-PULLEY	1	1	1	1	1			F 1
9	1	119621-21680	BOLT M12X1.25,FLANGE	1	1	1	1	1			
10	1	119620-21941	WASHER	1	1	1	1	1			
11	1	119660-21651	V-PULLEY	1							2
11-1	1	119653-21660	V-PULLEY	1							F 2
		(A=E66374)									
12	1	121111-21501	BOLT, FLYWHEEL	5	5	5	5	5			
13	1	119688-21590	FLYWHEEL CMP	1	1	1	1	1			1
13-1	1	119688-21591	FLY WHEEL CMP	1	1	1	1	1			F 1
		(A=E64652) (B=E64922) (C=E64409) (D=E70159) (E=E63470)									
16	2	119865-21600	GEAR, RING	1	1	1	1	1			1
17	1	119600-21580	FLYWHEEL ASSY	1							2
17-1	1	119265-21590	FLYWHEEL ASSY	1							F 2
		(A=E66374)									
20	2	119865-21600	GEAR, RING	1							2
21	1	119888-21450	RETAINER, BEARING	1			1				1
22	1	24107-062054	BALL BEARING	1			1				1
23	1	26106-080222	BOLT M 8X 22 PLATED	3			3				1
24	1	119623-22080	PISTON W/RING	3	3	3	3	3			
26	2	119623-22500	RING SET,PISTON	3	3	3	3	3			
30	1	114350-22301	PISTON PIN	3	3	3	3	3			
30-1	1	114399-22300	PISTON PIN	3	3	3	3	3			R
		(A=E64678) (B=E64922) (C=E64680) (D=E70159) (E=E63470)									
31	1	22252-000210	CIRCLIP 21	6	6	6	6	6			
32	1	719620-23100	ROD ASSY, CONNECTING	3	3	3	3	3			
36	2	119620-23910	BUSH, PISTON PIN	3	3	3	3	3			3
37	2	105225-23200	BOLT, ROD	6	6	6	6	6			
38	2	719620-23600	BEARING, CRANKPIN	3	3	3	3	3			
40	1	119623-22900	PISTON ASSY(O.S=0.25	3	3	3	3	3			4
42	2	119623-22950	RING COMP.,0.25 O.S.	3	3	3	3	3			4
48	1	719620-23610	BEARING,PIN U.S=0.25	3	3	3	3	3			5
50	1	22351-030012	SPRING PIN 3X12	1	1	1	1	1			W 1
		(A=E64652) (B=E64922) (C=E64409) (D=E70159) (E=E63470)									
51	1	22351-030012	SPRING PIN 3X12	1							W 2
		(A=E66374)									

Remarks
 (1) FOR 3TNE74-SA01,SA02.
 REF.NO.8-1& 13-1 INTERCHANGEABLE
 BY SET.
 (2) FOR 3TNE74-SA03,SA04.
 REF.NO.11-1& 17-1 INTERCHANGEABLE
 BY SET.
 (3) REPAIR PART.
 (4) OVER-SIZE(O.S=0.25)PART.
 (5) UNDER-SIZE(U.S=0.25)PART.

(A)=3TNE74-SA (D)=3TNE74C(E)SA
 (B)=3TNE74-G1A (E)=3TNE74C(E)G1
 (C)=3TNE74-G2A01 (F)=

Fig.9. LUB.OIL SYSTEM



REF.	LEV.	PARTS NO.	DESCRIPTION	QTY						I	R
				(A)	(B)	(C)	(D)	(E)	(F)		
1	1	119660-32001	PUMP ASSY, LUB. OIL	1	1	1	1	1			
11	1	119660-32020	GASKET, L.O.PUMP	1	1	1	1	1			
12	1	26450-060202	BOLT M 6X 20	3	3	3	3	3			
13	1	119600-34800	DIPSTICK, LUB. OIL	1	1		1	1			1
14	1	121520-34810	GUIDE, DIPSTICK	1	1	1	1	1			
15	1	119623-34820	DIPSTICK			1					
16	1	119623-34830	DIPSTICK		1						2
17	1	119660-35102	BRACKET, OIL FILTER	1	1	1	1	1			Z
		(A=E67769) (B=E72394) (C=E68024) (D=E70159) (E=E63470)									
18	1	119660-35113	GASKET, (NON-ASB.)	1	1	1	1	1			
19	1	119305-35150	FILTER, LUB. OIL	1	1	1	1	1			
20	1	119660-35300	VALVE ASSY,OIL PRESS	1	1	1	1	1			Z
		(A=E67769) (B=E72394) (D=E70159) (E=E63470)									
21	1	129120-35301	VALVE ASSY,OIL PRESS			1					Z
		(C=E68024)									
30	1	129150-35350	NUT	1	1	1	1	1			Z
		(A=E67769) (B=E72394) (C=E68024) (D=E70159) (E=E63470)									
31	1	24311-000160	O-RING 1A P-16.0	1	1	1	1	1			Z
		(A=E67769) (B=E72394) (C=E68024) (D=E70159) (E=E63470)									
32	1	26106-080202	BOLT M 8X 20 PLATED	3	3	3	3	3			
33	1	119209-35030	O-RING	1	1	1	1	1			
34	1	119623-35080	PIPE ASSY, LUB. OIL	1	1		1	1			1
35	1	119600-35091	PIPE ASSY,OIL INTAKE			1					
36	1	119623-35090	PIPE ASSY, OIL INLET		1						2
37	1	26106-060102	BOLT M 6X 10 PLATED	2	2	2	2	2			
38	1	124160-39450	SWITCH,(0.5KG)L.O.	1	1	1	1	1			
38-1	1	114250-39450	SWITCH,(0.5KG)L.O.	1	1	1	1	1			N
		(A=E62825) (B=E72394) (C=E62822) (D=E63103) (E=E62990)									
39	1	127695-39710	JOINT	1	1	1	1	1			
40	1	144626-91560	TACHO UNIT	1	1	1	1	1			
40-1	1	119773-91501	SENDER UNIT	1	1	1	1	1			N
		(A=E73768) (B=E73169) (C=E73529) (D=E52458) (E=E63470)									
41	1	121851-11970	JOINT, PIPE			1					
42	1	119642-33030	COOLER, OIL			1					
43	1	119642-33100	BRACKET			1					
44	1	129122-44480	JOINT			1					
45	1	119642-49030	PIPE			1					
46	1	119642-49050	PIPE ASSY			1					
47	2	119642-49060	PIPE			1					
48	2	119642-49090	TUBE, CORRUGATED			1					
49	1	23000-022000	CLAMP 22			4					
50	1	24321-000600	O-RING 1A G-60.0			1					
51	1	24321-000700	O-RING 1A G70.0,NBR			1					
52	1	119609-35000	BRACKET, L.O.FILTER	1	1		1	1			W
		(A=E67769) (B=E72394) (D=E70159) (E=E63470)									
53	1	119623-35000	BRACKET			1					W
		(C=E68024)									
54	2	119609-32040	O-RING P16	1	1	1	1	1			W
		(A=E67769) (B=E72394) (C=E68024) (D=E70159) (E=E63470)									
55	2	119660-35102	BRACKET, OIL FILTER	1	1	1	1	1			W
		(A=E67769) (B=E72394) (C=E68024) (D=E70159) (E=E63470)									
56	2	119609-35300	VALVE ASSY,OIL PRESS	1	1		1	1			W
		(A=E67769) (B=E72394) (D=E70159) (E=E63470)									
57	2	119623-35300	VALVE ASSY,OIL PRESS			1					W

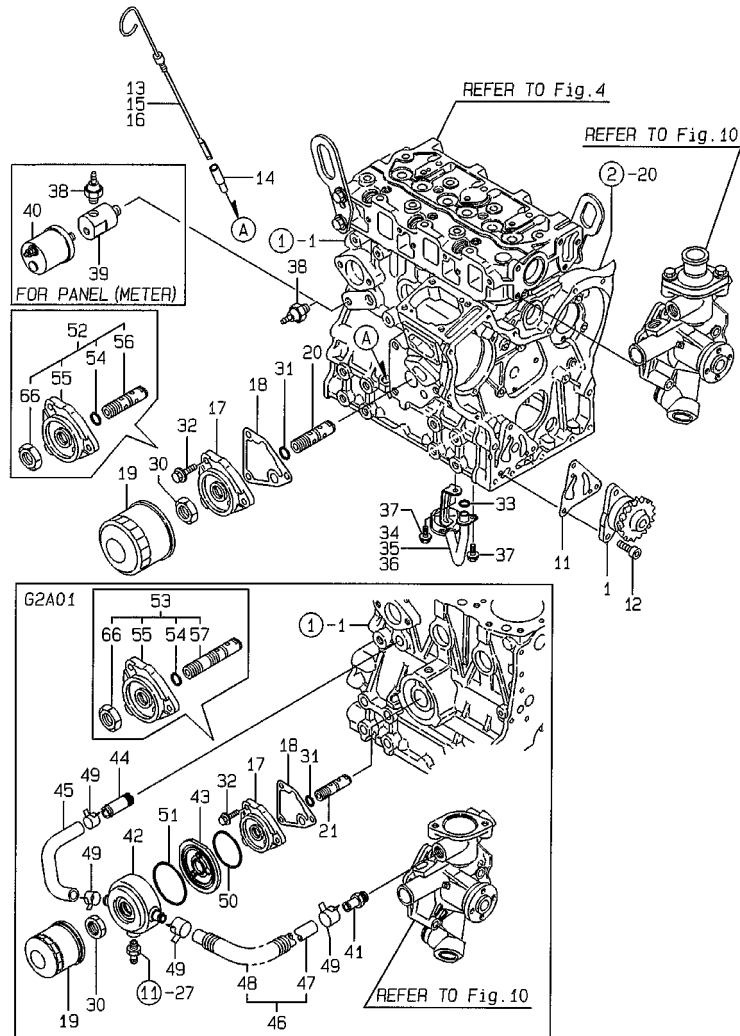
++ CONTINUE ++

Remarks
 (1) FOR 3TNE74-G1A01.
 (2) FOR 3TNE74-G1A03.

Fig.9. LUB.OIL SYSTEM

(A)=3TNE74-SA (D)=3TNE74C(E)SA
 (B)=3TNE74-G1A (E)=3TNE74C(E)G1
 (C)=3TNE74-G2A01 (F)=

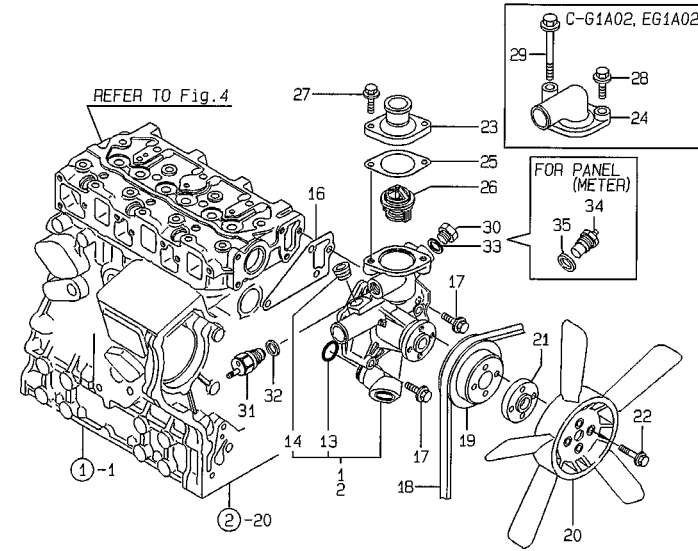
REF.	LEV.	PARTS NO.	DESCRIPTION	QTY						I	R
				(A)	(B)	(C)	(D)	(E)	(F)		
			(C=E68024)								
66	2	129150-35350	NUT		1	1	1	1	1	1	W
		(A=E67769) (B=E72394)	(C=E68024) (D=E70159)			(E=E63470)					



Remarks
 (1) FOR 3TNE74-G1A01.
 (2) FOR 3TNE74-G1A03.

(A)=3TNE74-SA (D)=3TNE74C(E)SA
 (B)=3TNE74-G1A (E)=3TNE74C(E)G1
 (C)=3TNE74-G2A01 (F)=

Fig.10. COOLING WATER SYSTEM



REF.	LEV.	PARTS NO.	DESCRIPTION	QTY						I	R
				(A)	(B)	(C)	(D)	(E)	(F)		
1	1	119660-42006	PUMP ASSY, C.W.	1	1		1	1			
1-1	1	119660-42007	PUMP ASSY, C.W.	1	1		1	1			N
		(A=E65185) (B=E65412) (D=E70159) (E=E63470)									
2	1	119642-42000	PUMP ASSY, C. WATER				1				
13	2	119620-42320	O-RING	1	1	1	1	1			
13-1	2	119609-42320	O-RING	1	1	1	1	1			N
		(A=E64842) (B=E64922) (C=E64888) (D=E70159) (E=E63470)									
14	2	23876-030000	PLUG PT3/8,SCREW	1	1				1	1	
16	1	119620-42020	GASKET, C.W. PUMP	1	1	1	1	1			
16-1	1	119620-42021	GASKET, C.W. PUMP	1	1	1	1	1			N
		(A=E63508) (B=E63875) (C=E63804) (D=E63767) (E=E63470)									
17	1	26106-080452	BOLT M 8X 45 PLATED	4	4	4	4	4			
18	1	119650-42291	V-BELT FM=35.0	1	1	1	1	1			
18-1	1	119656-42291	V-BELT (36-INCH)	1	1	1	1	1			N
		(A=E63344) (B=E63875) (C=E63345) (D=E63767) (E=E63353)									
19	1	119660-42350	V-PULLEY, C.W. PUMP	1	1	1	1	1			
20	1	124700-44740	FAN, COOLING	1	1	1	1	1			
21	1	124574-44761	SPACER	1	1	1	1	1			
21-1	1	121267-44760	SPACER	1	1	1	1	1			F 3
		(A=E62264) (B=E63875) (C=E62627) (D=E62638) (E=E62462)									
22	1	26106-060202	BOLT M 6X 20 PLATED	4	4	4	4	4			
22-1	1	26106-060302	BOLT M 6X 30 PLATED	4	4	4	4	4			F 3
		(A=E62264) (B=E63875) (C=E62627) (D=E62638) (E=E62462)									
23	1	129350-49530	COVER, THERMOSTAT	1	1	1	1	1			
24	1	124101-49530	COVER, THERMOSTAT							1	2
24-1	1	124101-49531	COVER, THERMOSTAT							1	N 4
		(E=E63470)									
25	1	129350-49541	GASKET, (NON-ASB.)	1	1	1	1	1			
26	1	129350-49800	THERMOSTAT (71 C	1	1	1	1	1			
27	1	26106-080202	BOLT M 8X 20 PLATED	2	2	2	2	2			1
28	1	26106-080282	BOLT M 8X 28 PLATED							1	2
29	1	26106-080652	BOLT M 8X 65 PLATED							1	2
30	1	121450-42450	PLUG M16	1	1	1	1	1			
31	1	121250-44901	SWITCH, THERMO(110 C	1	1	1	1	1			
32	1	124465-44950	GASKET 16	1	1	1	1	1			
33	1	124465-44950	GASKET 16	1	1	1	1	1			
34	1	124250-49351	THERMOMETER	1	1	1	1	1			
35	1	129150-49360	GASKET 10	1	1	1	1	1			

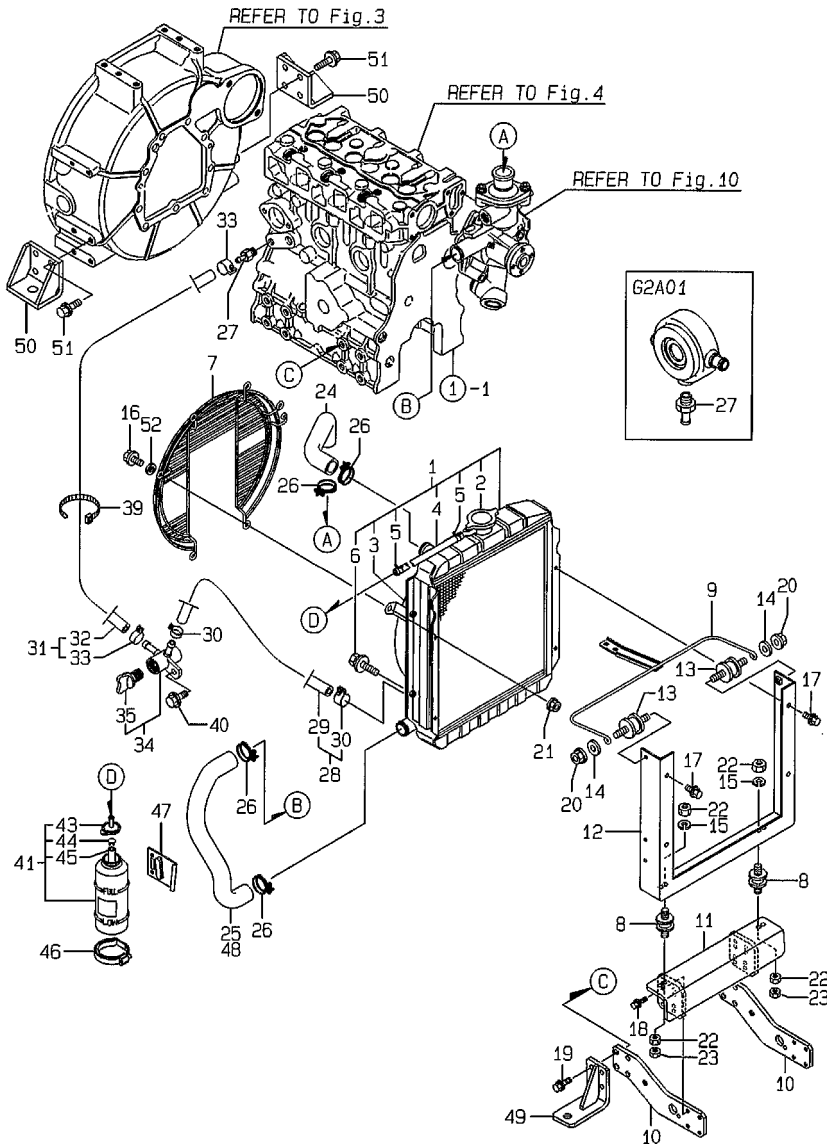
Remarks
 (1) FOR 3TNE74C-G1A01,EG1A01.
 (2) FOR 3TNE74C-G1A02,EG1A02.
 (3) REF.NO.21-1&22-1 INTERCHANGEABLE BY SET.
 (4) FOR 3TNE74C-EG1A02.

Fig.11. RADIATOR

(A)=3TNE74-SA (D)=3TNE74C(E)SA
 (B)=3TNE74-G1A (E)=3TNE74C(E)G1
 (C)=3TNE74-G2A01 (F)=

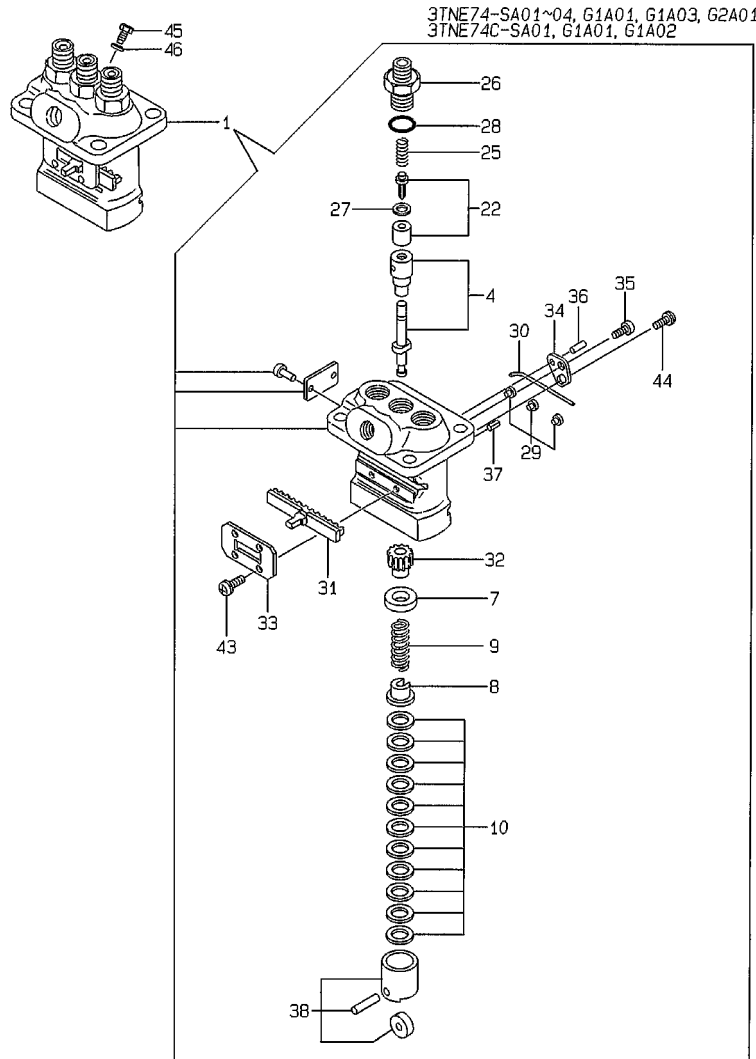
REF.	LEV.	PARTS NO.	DESCRIPTION	QTY						I	R
				(A)	(B)	(C)	(D)	(E)	(F)		
1	1	119621-44500	RADIATOR	1	1	1	1	1			
2	2	119259-44570	CAP, RADIATOR	1	1	1	1	1			
3	2	X2411365340	SHROUD, FAN	1	1	1	1	1			
4	2	129132-44530	HOSE, C.WATER	1	1	1	1	1			
5	2	121250-44590	CLAMP	2	2	2	2	2			
6	2	26014-080162	BOLT M 8X 16	4	4	4	4	4			
7	1	119621-44560	FAN-GUARD	1	1	1	1	1			
8	1	121400-44650	ABSORBER, SHOCK	2	2		2	2			
9	1	119688-44941	STAY, RADIATOR	1	1		1	1			
10	1	119688-44950	BRACKET (A)	2	2		2	2			
11	1	119688-44961	BRACKET (B), RAD	1	1		1	1			
12	1	119688-44972	SUPPORT	1	1		1	1			
13	1	127694-91050	GROMMET	2	2		2	2			
14	1	22137-080000	WASHER 8, POLISHED	2	2		2	2			
15	1	22217-100000	SPRING WASHER 10	2	2		2	2			
16	1	26106-080122	BOLT M 8X 12 PLATED	6	6	6	6	6			
16-1	1	26106-080142	BOLT M 8X 14 PLATED	6	6	6	6	6		N	
		(A=EXXX) (B=EXXX) (C=EXXX) (D=EXXX) (E=EXXX)									
17	1	26106-080202	BOLT M 8X 20 PLATED	4	4		4	4			
18	1	26106-080252	BOLT M 8X 25 PLATED	8	8		8	8			
19	1	26116-100302	BOLT 10X30	8	8		8	8			
20	1	26366-060002	NUT M 6	2	2		2	2			
21	1	26366-080002	NUT M 8	6	6	6	6	6			
21-1	1	26306-080002	NUT	6	6	6	6	6		N	
		(A=EXXX) (B=EXXX) (C=EXXX) (D=EXXX) (E=EXXX)									
22	1	26716-100002	NUT 10	4	4		4	4			
23	1	26756-100002	LOCK NUT M10 PLATED	2	2		2	2			
24	1	119688-49010	PIPE (A), C. WATER	1	1	1	1	1			
25	1	119280-49020	PIPE (B), C. WATER	1	1	1	1	1			
25-1	1	119632-49020	PIPE (B), C. WATER	1	1		1	1		N	
		(A=EXXX) (B=EXXX) (D=EXXX) (E=EXXX)									
26	1	23010-038000	CLAMP 38	4	4	4	4	4			
27	1	121550-49111	JOINT PT1/4	1	1	1	1	1			
28	1	119623-49100	PIPE, C.W.	1	1		1	1			
29	2	119623-49010	CW-T	1	1		1	1			
30	2	124766-59050	CLAMP 12	2	2		2	2			
31	1	119823-49100	PIPE, C.W.	1	1		1	1			
32	2	119823-49010	CW-T	1	1		1	1			
33	2	124766-59050	CLAMP 12	2	2		2	2			
34	1	129150-49100	COCK ASSY, 3-WAY	1	1	1	1	1			
35	2	129150-49080	COCK, DRAIN	1	1	1	1	1			
39	1	121750-59890	CLAMP 140	1	1		1	1			
40	1	26106-080162	BOLT M 8X 16 PLATED	1	1		1	1			
41	1	124450-44510	SUB-TANK ASSY	1	1	1	1	1			
43	2	124450-44530	CAP	1	1	1	1	1			
44	2	124450-44560	CLAMP	1	1	1	1	1			
45	2	23061-070230	PIPE 7X 230	1	1	1	1	1			
46	1	124450-44550	CLAMP, SUB-TANK	1	1	1	1	1			
47	1	121256-44600	BRACKET, SUB-TANK	1	1	1	1	1			
48	1	119645-49020	PIPE (B), C. WATER	1	1	1	1	1			
49	1	119288-08100	BRACKET (A), ENGINE	2	2		2	2			
50	1	119888-08110	BRACKET (B), ENGINE	2	2		2	2			
51	1	26106-100202	BOLT M10X 20 PLATED	8	8		8	8			
52	1	22137-080000	WASHER 8, POLISHED	6	6	6	6	6		W	

++ CONTINUE ++



(A)=3TNE74-SA (D)=3TNE74C(E)SA
 (B)=3TNE74-G1A (E)=3TNE74C(E)G1
 (C)=3TNE74-G2A01 (F)=

Fig.12. FUEL INJECTION PUMP

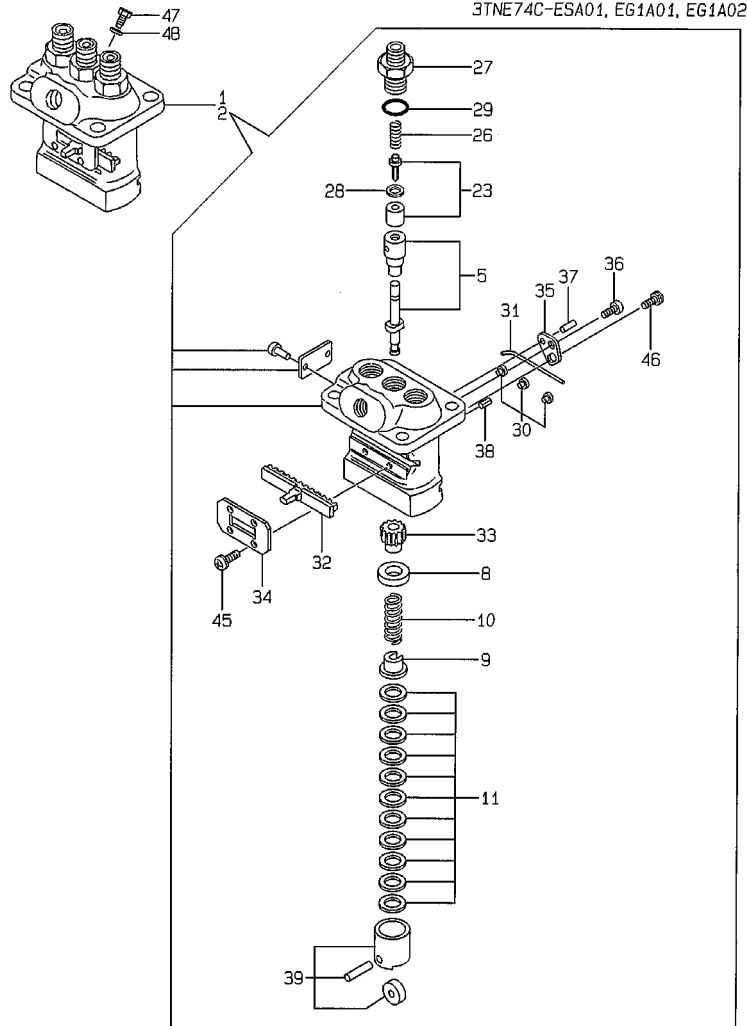


REF.	LEV.	PARTS NO.	DESCRIPTION	QTY						I	R
				(A)	(B)	(C)	(D)	(E)	(F)		
1	1	719621-51100	PUMP ASSY, F.INJECT.	1	1	1	1	1			
I	1-1	719624-51100	FOP ASSY	1	1	1	1	1			N
		(A=E63904)	(B=E63875)	(C=E63804)	(D=E62786)	(E=E63470)					
4	2	119620-51101	PLUNGER W/BARREL	3	3	3	3	3			
7	2	119620-51170	RETAINER	3	3	3	3	3			
8	2	119620-51180	RETAINER	3	3	3	3	3			
9	2	119620-51190	SPRING, PLUNGER	3	3	3	3	3			
10	2	119620-51250	SHIM PACK	3	3	3	3	3			
22	2	119620-51300	VALVE W/SEAT, DELIV.	3	3	3	3	3			
25	2	105546-51330	SPRING, DELIV. VALVE	3	3	3	3	3			
26	2	119620-51340	HOLDER, DELIV. VALVE	3	3	3	3	3			
27	2	119620-51350	GASKET, DELIVERY	3	3	3	3	3			
28	2	119620-51370	O-RING	3	3	3	3	3			
29	2	119620-51450	GUIDE, PLUNGER	3	3	3	3	3			
30	2	119620-51461	PIN	1	1	1	1	1			
31	2	119660-51500	RACK	1	1	1	1	1			
32	2	119620-51510	PINION	3	3	3	3	3			
33	2	119660-51530	RETAINER, RACK	1	1	1	1	1			
34	2	119620-51650	PLATE	2	2	2	2	2			
35	2	119620-51660	SCREW	2	2	2	2	2			
36	2	119620-51670	PIN	2	2	2	2	2			
37	2	119620-51680	PIN	1	1	1	1	1			
38	2	119620-51700	TAPPET ASSY	3	3	3	3	3			
43	2	26022-040082	SCREW M 4X 8	4	4	4	4	4			
44	2	26033-040102	SCREW M 4X 10	2	2	2	2	2			
45	1	119266-51900	BOLT	1	1	1	1	1			W
		(A=E63904)	(B=E63875)	(C=E63804)	(D=E62786)	(E=E63470)					
46	1	22190-080002	SEAL WASHER 8S	1	1	1	1	1			W
		(A=E63904)	(B=E63875)	(C=E63804)	(D=E62786)	(E=E63470)					

Remarks
 * FOR 3TNE74C-SA01,G1A01,G1A02.

Fig.13. FUEL INJECTION PUMP

(A)=3TNE74-SA (D)=3TNE74C(E)SA
 (B)=3TNE74-G1A (E)=3TNE74C(E)G1
 (C)=3TNE74-G2A01 (F)=

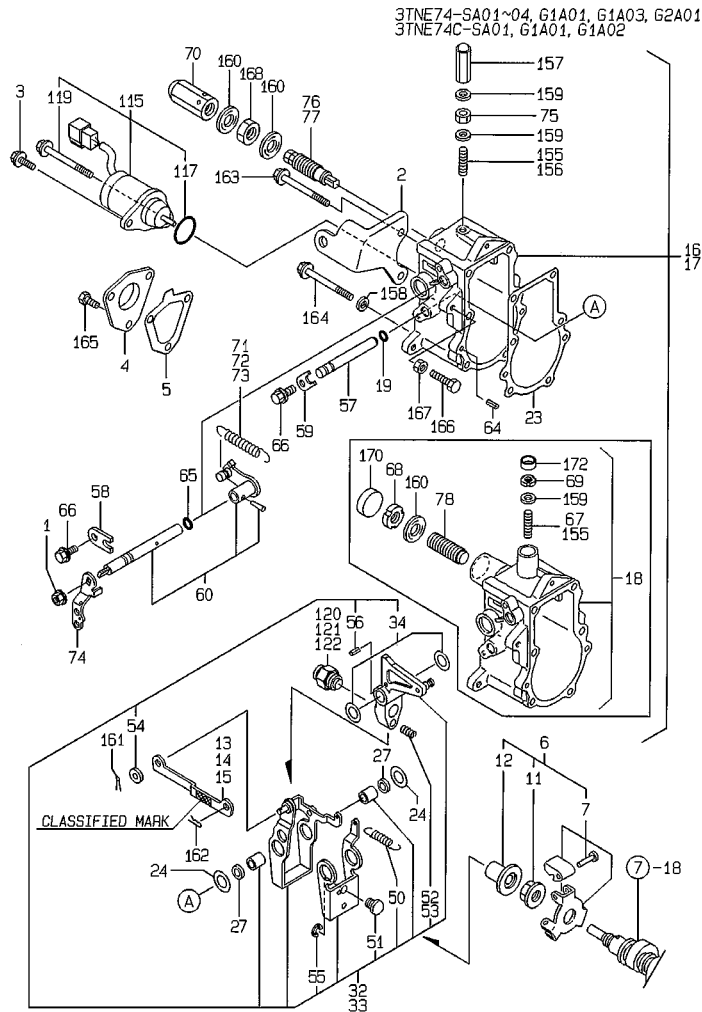


REF.	LEV.	PARTS NO.	DESCRIPTION	QTY						I	R
				(A)	(B)	(C)	(D)	(E)	(F)		
1	1	719687-51740	FIE(SERVICE ASSY (D=E70159)				1				W
2	1	719623-51700	PUMP ASSY, F.INJECT. (E=E63369)						1		W
5	2	119620-51101	PLUNGER W/BARREL				3	3			
8	2	119620-51170	RETAINER				3	3			
9	2	119620-51180	RETAINER				3	3			
10	2	119620-51190	SPRING, PLUNGER				3	3			
11	2	119620-51250	SHIM PACK				3	3			
23	2	119620-51300	VALVE W/SEAT, DELIV.				3	3			
26	2	105546-51330	SPRING, DELIV. VALVE				3	3			
27	2	119620-51340	HOLDER, DELIV. VALVE				3	3			
28	2	119620-51350	GASKET, DELIVERY				3	3			
29	2	119620-51370	O-RING				3	3			
30	2	119620-51450	GUIDE, PLUNGER				3	3			
31	2	119620-51461	PIN				1	1			
32	2	119660-51500	RACK				1	1			
33	2	119620-51510	PINION				3	3			
34	2	119660-51530	RETAINER, RACK				1	1			
35	2	119620-51650	PLATE				2	2			
36	2	119620-51660	SCREW				2	2			
37	2	119620-51670	PIN				2	2			
38	2	119620-51680	PIN				1	1			
39	2	119620-51700	TAPPET ASSY				3	3			
45	2	26022-040082	SCREW M 4X 8				4	4			
46	2	26033-040102	SCREW M 4X 10				2	2			
47	1	119266-51900	BOLT				1	1			Z 1
48	1	22190-080002	SEAL WASHER 8S (D=E70159)			(E=E63369)	1	1			Z 1

Remarks
 * FOR 3TNE74C-ESA01,EG1A01,EG1A02.
 (1) REFER TO FIG.16.

Fig.14. GOVERNOR

(A)=3TNE74-SA (D)=3TNE74C(E)SA
 (B)=3TNE74-G1A (E)=3TNE74C(E)G1
 (C)=3TNE74-G2A01 (F)=



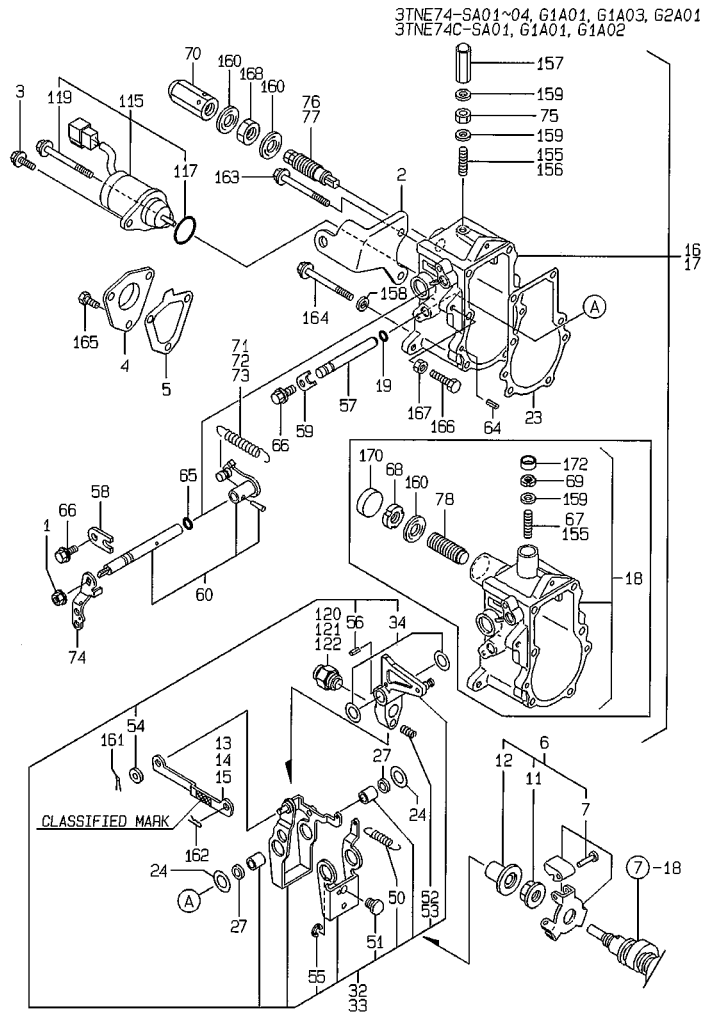
REF.	LEV.	PARTS NO.	DESCRIPTION	QTY						I	R
				(A)	(B)	(C)	(D)	(E)	(F)		
1	1	194990-22050	NUT W/WASHER 8	1	1	1	1	1			
1-1	1	26366-080002	NUT M 8	1	1	1	1				N
		(A=EXXX) (B=EXXX) (C=EXXX) (D=EXXX)									
2	1	119288-55901	BRACKET	1	1	1	1	1			
3	1	121465-59950	BOLT M 6X 16, PLATED	1	1	1	1	1			
4	1	119660-61060	COVER, GOVERNOR CASE	1	1	1	1	1			
5	1	119660-61071	GASKET, (NON-ASB.)	1	1	1	1	1			
6	1	119600-61100	DRIVING SET, GOV.	1	1	1	1	1			
7	2	119600-61200	WEIGHT ASSY, GOV.	1	1	1	1	1			
11	2	119660-61300	NUT, GOVERNOR WEIGHT	1	1	1	1	1			
12	2	119660-61341	SLEEVE, GOVERNOR	1	1	1	1	1			
13	1	119660-61121	LINK L=88.8(NO COLOR)	1	1	1	1	1			2
14	1	119660-61140	LINK L=88.6(WHITE)	1	1	1	1	1			2
15	1	119660-61150	LINK L=89.0(RED)	1	1	1	1	1			2
16	1	119632-61200	CASE ASSY, GOVERNOR	1	1						
17	1	119288-61200	CASE ASSY, GOVERNOR			1					
18	1	119623-61200	CASE ASSY, GOVERNOR				1	1			
19	2	129155-51280	O-RING S6	1	1	1	1	1			
23	2	119660-61052	GASKET, (NON-ASB.)	1	1	1	1	1			
24	2	119660-61460	SHIM SET	1	1	1	1	1			
27	2	129155-61480	SPACER ASSY	2	2	2	2	2			
32	2	119232-61550	LEVER ASSY, GOVERNOR	1	1			1	1		
32-1	2	119232-61510	LEVER ASSY, GOVERNOR	1	1			1	1		N
		(A=EXXX) (B=EXXX) (D=EXXX) (E=EXXX)									
33	2	119288-61510	LEVER ASSY, GOVERNOR					1			
34	3	174307-51700	SHIM SET	2	2	2	2	2			
50	3	119232-61540	SPRING, LEVER	1	1	1	1	1			
51	3	119600-61541	SHIFTER,P.T.O.	1	1	1	1	1			
52	3	119660-61651	SPRING, STARTING	1	1			1	1		
53	3	119600-61650	SPRING, STARTING			1					
54	3	22117-040000	WASHER 4	1	1	1	1	1			
55	3	22272-000040	CIRCLIP E- 4	1	1	1	1	1			
56	3	22351-030014	SPRING PIN 3X14	1	1	1	1	1			
57	2	119660-61590	SHAFT	1	1	1	1	1			
58	2	119600-61900	RETAINER, SHAFT	1	1	1	1	1			
59	2	119660-61901	RETAINER, SHAFT	1	1	1	1	1			
60	2	119285-66080	SHAFT ASSY,REGULATOR	1	1	1	1	1			
64	2	22351-040010	SPRING PIN 4X10	2	2	2	2	2			
65	2	24341-000070	O-RING 1A S-7.0	1	1	1	1	1			
66	2	26106-060102	BOLT M 6X 10 PLATED	2	2	2	2	2			
67	1	119988-61460	BOLT, REVOL. LIMIT					1			
68	1	119685-61940	CARB NUT(FO-LIMIT)					1	1		
69	1	119685-61950	CARB NUT(HI-IDLE)					1	1		
70	1	129100-61930	NUT, CAP	1	1	1					
71	1	119789-66010	SPRING, REGULATOR		1				1		
72	1	119600-66020	SPRING, REGULATOR	1				1			
73	1	119600-66020	SPRING, REGULATOR			1					
73-1	1	119260-66010	SPRING, REGULATOR			1					N
		(C=E63974)									
74	1	119621-66051	LEVER, REGULATOR	1	1	1	1	1			
75	1	124550-66370	LOCK NUT M 6	1	1	1					
76	1	119629-66510	TORQUE SPRING ASSY	1	1						
77	1	119600-66530	TORQUE SPRING ASSY			1					
78	1	119489-66500	FUEL LIMITR(CARB ASY)				1	1			

++ CONTINUE ++

Remarks
 * FOR 3TNE74C-SA01,G1A01,G1A02.
 (1) REPAIR PART.
 (2) SELECTIVE PARTS: CERTAINE THE CLASSIFICATION MARK, THEN PLACE YOUR ORDER.(REFER TO ILLUSTRATION)

Fig.14. GOVERNOR

(A)=3TNE74-SA (D)=3TNE74C(E)SA
 (B)=3TNE74-G1A (E)=3TNE74C(E)G1
 (C)=3TNE74-G2A01 (F)=

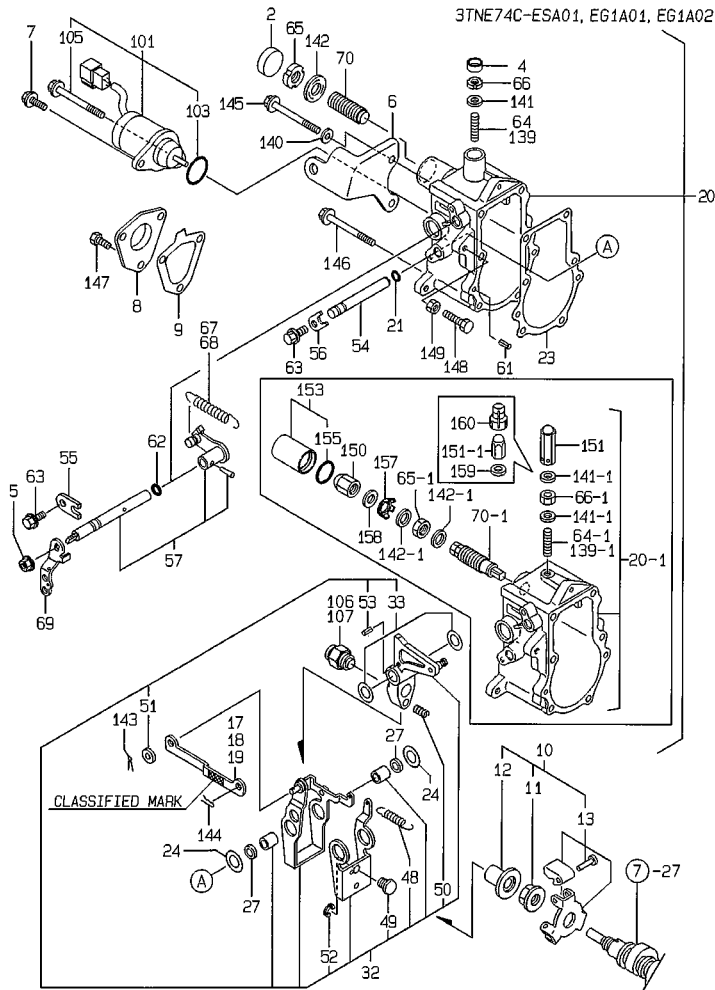


REF.	LEV.	PARTS NO.	DESCRIPTION	QTY						I	R
				(A)	(B)	(C)	(D)	(E)	(F)		
115	1	119653-66500	SOLENOID COMP	1	1	1	1	1			
117	2	24341-000280	O-RING 1A S-28.0	1	1	1	1	1			
119	2	26106-060952	BOLT M 6X 95 PLATED	1	1	1	1	1			
119-1	2	119620-01530	SOLENOID, BOLT	1	1	1	1	1		N	
		(A=E7XXX)	(B=E7XXX)	(C=E7XXX)	(D=E7XXX)	(E=E7XXX)					
120	1	119600-66720	ANGLEICH ASSY	1			1				
121	1	119610-66700	ANGLEICH ASSY		1			1			
122	1	119260-66720	ANGLEICH ASSY			1					
155	1	121575-66830	SCREW, ADJUST	1		1		1			
156	1	171002-66830	SCREW, ADJUST		1						
157	1	119600-66840	NUT, CAP	1	1	1					
158	1	22111-060000	WASHER 6	3	3	3	3	3			
159	1	22190-060003	WASHER, SEAL 6	2	2	2	1	1			
160	1	22190-120002	SEAL WASHER 12	2	2	2	1	1			
161	1	22360-040000	SNAP PIN 4	1	1	1	1	1			
162	1	22360-060000	SNAP PIN 6	1	1	1	1	1			
163	1	26106-060702	BOLT M 6X 70 PLATED	2	2	2	2	2			
164	1	26106-060752	BOLT M 6X 75 PLATED	3	3	3	3	3			
165	1	26116-050102	BOLT M 5X 10 PLATED	3	3	3	3	3			
166	1	26116-060304	BOLT M 6X 30 PLATED	1	1	1	1	1			
167	1	26756-060002	LOCK NUT 6	1	1	1	1	1			
168	1	26776-120002	LOCK NUT M12 PLATED	1	1	1					
168-1	1	26736-120002	NUT M12	1	1	1				N	
		(A=E68293)	(B=E72394)	(C=E70813)							
170	1	119621-66610	PLUG 22				1	1		1	
172	1	119621-66710	PLUG 14				1	1		1	

Remarks
 * FOR 3TNE74C-SA01,G1A01,G1A02.
 (1) REPAIR PART.
 (2) SELECTIVE PARTS: CERTAIN THE CLASSIFICATION MARK, THEN PLACE YOUR ORDER.(REFER TO ILLUSTRATION)

Fig.15. GOVERNOR

(A)=3TNE74-SA (D)=3TNE74C(E)SA
 (B)=3TNE74-G1A (E)=3TNE74C(E)G1
 (C)=3TNE74-G2A01 (F)=



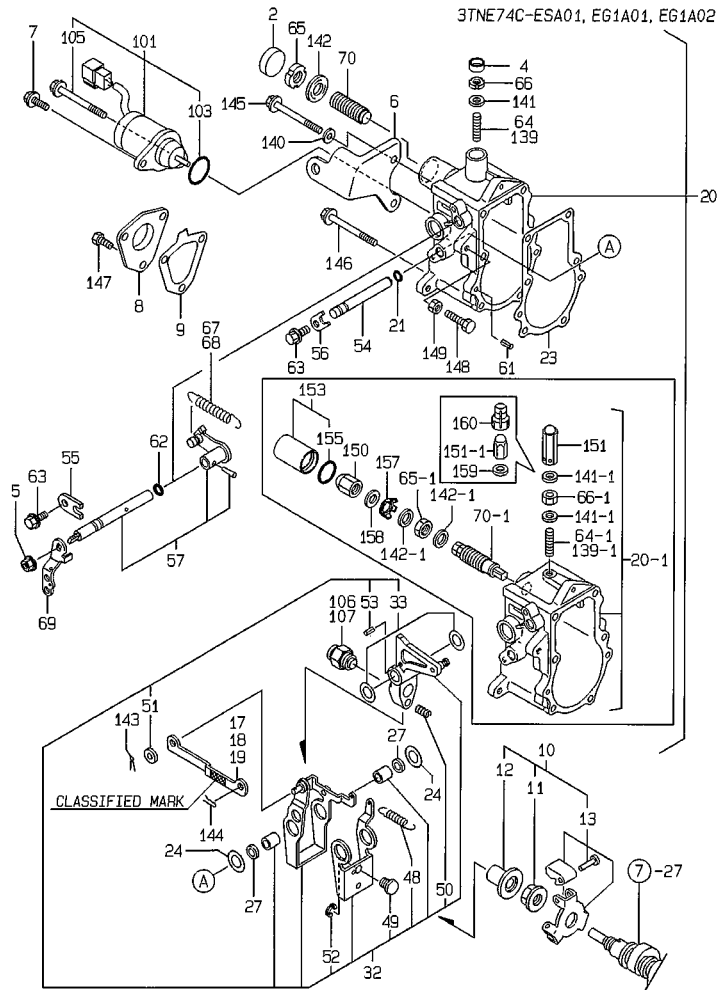
REF.	LEV.	PARTS NO.	DESCRIPTION	QTY						I	R	
				(A)	(B)	(C)	(D)	(E)	(F)			
2	1	119621-66610	PLUG 22				1	1			Z	1
				(D=E70159)	(E=E63369)							
4	1	119621-66710	PLUG 14				1	1			Z	1
				(D=E70159)	(E=E63369)							
5	1	194990-22050	NUT W/WASHER 8				1	1				
5-1	1	26366-080002	NUT M 8				1	1				N
				(D=E70159)	(E=E63369)							
6	1	119288-55901	BRACKET						1	1		
7	1	121465-59950	BOLT M 6X 16, PLATED						1	1		
8	1	119660-61060	COVER, GOVERNOR CASE						1	1		
9	1	119660-61071	GASKET, (NON-ASB.)						1	1		
10	1	119600-61300	DRIVING SET, GOV.						1	1		
11	2	119660-61300	NUT, GOVERNOR WEIGHT						1	1		
12	2	119660-61341	SLEEVE, GOVERNOR						1	1		
13	2	119600-61400	WEIGHT ASSY, GOV.						1	1		
17	1	119660-61121	LINK L=88.8(NO COLOR)						1	1		2
18	1	119660-61140	LINK L=88.6(WHITE)						1	1		2
19	1	119660-61150	LINK L=89.0(RED)						1	1		2
20	1	119623-61200	CASE ASSY, GOVERNOR						1	1		
20-1	1	119632-61200	CASE ASSY, GOVERNOR						1	1		S
				(D=E70159)	(E=E63369)							
21	2	129155-51280	O-RING S6						1	1		
23	2	119660-61052	GASKET, (NON-ASB.)						1	1		
24	2	119660-61460	SHIM SET						1	1		
27	2	129155-61480	SPACER ASSY						2	2		
32	2	119232-61510	LEVER ASSY, GOVERNOR						1	1		
33	3	174307-51700	SHIM SET						2	2		
48	3	119232-61540	SPRING, LEVER						1	1		
49	3	119600-61541	SHIFTER,P.T.O.						1	1		
50	3	119660-61651	SPRING, STARTING						1	1		
51	3	22117-040000	WASHER 4						1	1		
52	3	22272-000040	CIRCLIP E- 4						1	1		
53	3	22351-030014	SPRING PIN 3X14						1	1		
54	2	119660-61590	SHAFT						1	1		
55	2	119600-61900	RETAINER, SHAFT						1	1		
56	2	119660-61901	RETAINER, SHAFT						1	1		
57	2	119285-66080	SHAFT ASSY,REGULATOR						1	1		
61	2	22351-040010	SPRING PIN 4X10						2	2		
62	2	24341-000070	O-RING 1A S-7.0						1	1		
63	2	26106-060102	BOLT M 6X 10 PLATED						2	2		
64	1	119988-61460	BOLT, REVOL. LIMIT						1			
64-1	1	121575-66830	SCREW, ADJUST						1			S
				(D=E70159)								
65	1	119685-61940	CARB NUT(FO-LIMIT						1	1		
65-1	1	26736-120002	NUT M12						1	1		S
				(D=E70159)	(E=E63370)							
66	1	119685-61950	CARB NUT(HI-IDLE						1	1		
66-1	1	124550-66370	LOCK NUT M 6						1	1		S
				(D=E70159)	(E=E63369)							
66-2	1	26857-060002	NUT							1		S
				(E=E63370)								
67	1	119789-66010	SPRING, REGULATOR							1		
67-1	1	119623-66020	SPRING, REGULATOR							1		S
				(E=E63369)								

Remarks
 * FOR 3TNE74C-ESA01,EG1A01,EG1A02.
 (1) REPAIR PART.
 (2) SELECTIVE PARTS: CERTAINE THE CLASSIFICATION MARK, THEN PLACE YOUR ORDER.(REFER TO ILLUSTRATION)

++ CONTINUE ++

(A)=3TNE74-SA (D)=3TNE74C(E)SA
 (B)=3TNE74-G1A (E)=3TNE74C(E)G1
 (C)=3TNE74-G2A01 (F)=

Fig.15. GOVERNOR

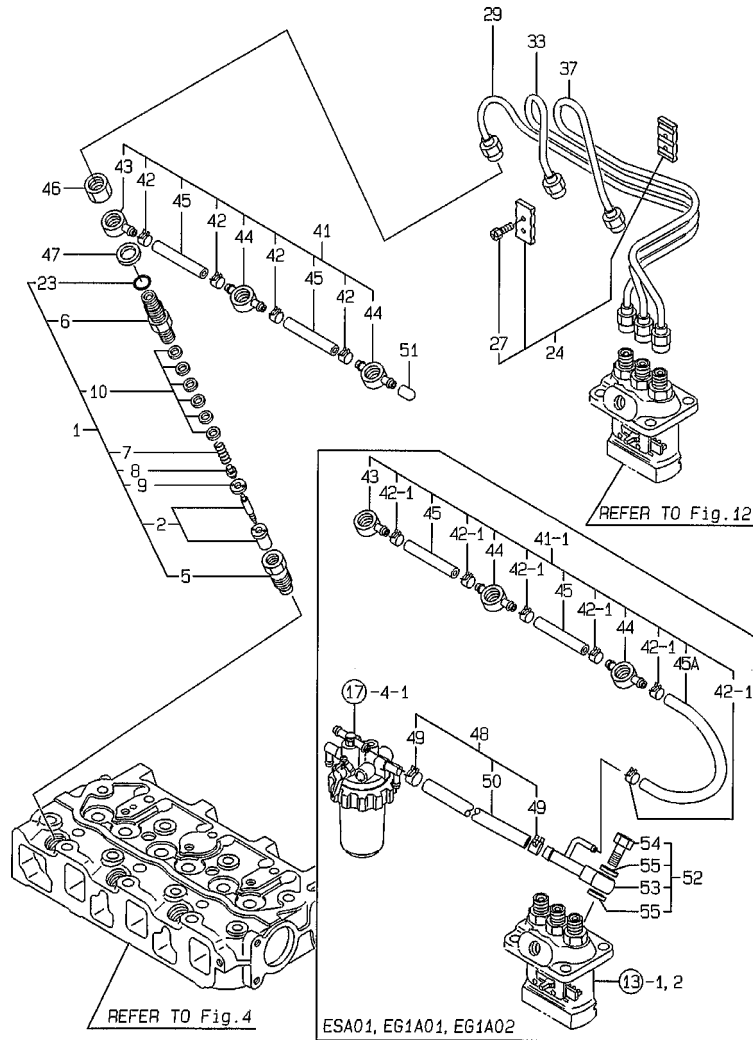


REF.	LEV.	PARTS NO.	DESCRIPTION	QTY						I	R
				(A)	(B)	(C)	(D)	(E)	(F)		
68	1	119600-66020	SPRING, REGULATOR				1				
69	1	119621-66051	LEVER, REGULATOR				1	1			
70	1	119489-66500	FUEL LIMITR(CARB ASY				1	1			
70-1	1	119629-66510	TORQUE SPRING ASSY				1	1			S
			(D=E70159)					(E=E63369)			
101	1	119653-66500	SOLENOID COMP				1	1			
103	2	24341-000280	O-RING 1A S-28.0				1	1			
105	2	26106-060952	BOLT M 6X 95 PLATED				1	1			
105-1	2	119620-01530	SOLENOID, BOLT				1	1			N
			(D=E70159)					(E=E63369)			
106	1	119600-66720	ANGLEICH ASSY				1				
107	1	119610-66700	ANGLEICH ASSY					1			
139	1	121575-66830	SCREW, ADJUST					1			
139-1	1	171002-66830	SCREW, ADJUST					1			S
			(E=E63369)								
140	1	22111-060000	WASHER 6				3	3			
140-1	1	22111-060000					2				K
			(D=E70159)								
141	1	22190-060003	WASHER,SEAL 6				1	1			
141-1	1	22190-060003	WASHER,SEAL 6				2	2			K
			(D=E70159)					(E=E63369)			
141-2	1	22190-060003	WASHER,SEAL 6				1	1			K
			(D=E72458)					(E=E63370)			
142	1	22190-120002	SEAL WASHER 12				1	1			
142-1	1	22190-120002	SEAL WASHER 12					2			K
			(E=E63369)								
143	1	22360-040000	SNAP PIN 4				1	1			
144	1	22360-060000	SNAP PIN 6				1	1			
145	1	26106-060702	BOLT M 6X 70 PLATED				2	2			
146	1	26106-060752	BOLT M 6X 75 PLATED				3	3			
147	1	26116-050102	BOLT M 5X 10 PLATED				3	3			
148	1	26116-060304	BOLT M 6X 30 PLATED				1	1			
148-1	1	119266-61460					1	1			R
			(D=E70159)					(E=E63369)			
149	1	26756-060002	LOCK NUT 6				1	1			
150	1	129100-61930	NUT, CAP				1	1			W
			(D=E70159)					(E=E63369)			
151	1	119600-66840	NUT, CAP				1	1			W
			(D=E70159)					(E=E63369)			
151-1	1	119285-66600	CAPNUT M6					1			S
			(E=E63370)								
153	1	129209-61940	CASE ASSY				1	1			W
			(D=E70159)					(E=E63369)			
155	2	24311-000150	O-RING 1A P-15.0				1	1			W
			(D=E70159)					(E=E63369)			
157	1	129209-61970	PLATE				1	1			W
			(D=E72458)					(E=E63370)			
158	1	119285-66620	GASKET M6					1			W
			(E=E63370)								
159	1	23414-120016	GASKET 12				1	1			W
			(D=E72458)					(E=E63370)			
160	1	119285-66610	CAP, HIGH-IDLE				1	1			W
			(D=E72458)					(E=E63370)			

Remarks
 * FOR 3TNE74C-ESA01,EG1A01,EG1A02.
 (1) REPAIR PART.
 (2) SELECTIVE PARTS: CERTAINE THE CLASSIFICATION MARK, THEN PLACE YOUR ORDER.(REFER TO ILLUSTRATION)

(A)=3TNE74-SA (D)=3TNE74C(E)SA
 (B)=3TNE74-G1A (E)=3TNE74C(E)G1
 (C)=3TNE74-G2A01 (F)=

Fig.16. FUEL INJECTION VALVE

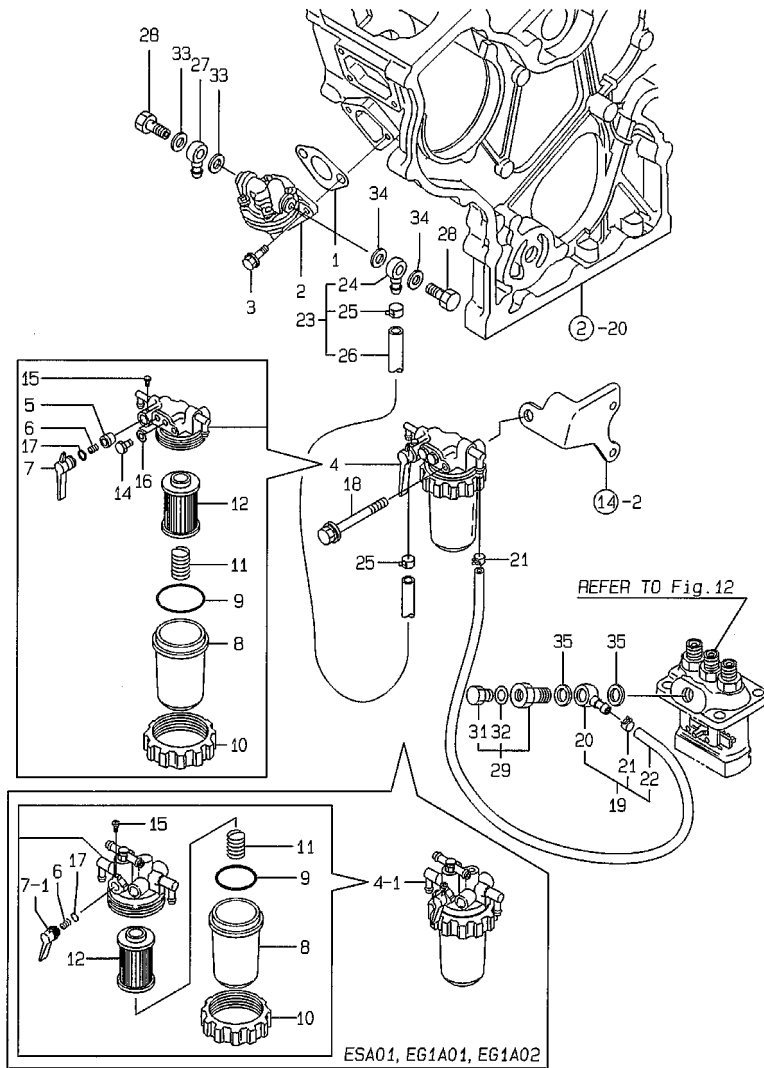


REF.	LEV.	PARTS NO.	DESCRIPTION	QTY						I	R
				(A)	(B)	(C)	(D)	(E)	(F)		
1	1	719620-53700	VALVE ASSY, F.INJECT	3	3	3	3	3			
2	2	119620-53000	NOZZLE ASSY,F.INJECT	3	3	3	3	3			
5	2	119620-53080	NUT, VALVE W/CASE	3	3	3	3	3			
6	2	119620-53100	HOLDER, VALVE W/CASE	3	3	3	3	3			
7	2	119620-53120	SPRING, VALVE	3	3	3	3	3			
8	2	114250-53130	SEAT, NOZZLE SPRING	3	3	3	3	3			
9	2	119620-53140	SPACER, VALVE STOP	3	3	3	3	3			
10	2	114250-53400	SHIM PACK	3	3	3	3	3			
23	2	129155-61830	O-RING S10	3	3	3	3	3			
24	1	129150-59120	RETAINER, INJ. PIPE	1	1	1	1	1			
27	2	129150-59131	BOLT M4X14,HEX.SCKT.	2	2	2	2	2			
29	1	119620-59811	PIPE (1),FUEL INJECT	1	1	1	1	1			
33	1	119620-59821	PIPE (2),FUEL INJECT	1	1	1	1	1			
37	1	119620-59831	PIPE (3),FUEL INJECT	1	1	1	1	1			
41	1	119620-59540	PIPE ASSY, FUEL OVER	1	1	1	1	1			
41-1	1	119266-59540	PIPE ASSY, FUEL OVER				1	1		N 1	
42	2	124066-59100	CLAMP 8	(D=E70159)	(E=E63470)	4	4	4	4	4	
42-1	2	124066-59100	CLAMP 8						6	6	K 1
43	2	119260-59520	JOINT (B)	(D=E70159)	(E=E63470)	1	1	1	1	1	
44	2	119260-59530	JOINT (A)			2	2	2	2	2	
45	2	105025-59550	PIPE, FUEL RETURN			2	2	2	2	2	
45A	2	119000-59560	PIPE, FUEL RETURN						1	1	W 1
46	1	119620-59700	NUT	(D=E70159)	(E=E63470)	3	3	3	3	3	
47	1	23414-140000	GASKET 14, ROUND			3	3	3	3	3	
47-1	1	22190-140002	SEAL WASHER 14S	(D=E62638)	(E=E62462)	3	3	3	3	3	N
48	1	719225-59560	PIPE ASSY, FUEL	(A=E62264) (B=E63875) (C=E62627)	(D=E70159)	(E=E63470)			1	1	W 1
49	2	124766-59050	CLAMP 12	(D=E70159)	(E=E63470)				2	2	W 1
50	2	119225-59560	PIPE, FUEL OIL	(D=E70159)	(E=E63470)				1	1	W 1
51	1	119309-59590	CAP 4.2	(D=E70159)	(E=E63470)	1	1	1	1	1	W 2
52	1	119266-59501	PIPE JOINT ASSY	(D=E70159)	(E=E63470)				1	1	W 1
53	2	119266-59570	JOINT	(D=E70159)	(E=E63470)				1	1	W 1
54	2	119266-59580	BOLT 8,PIPE JOINT	(D=E70159)	(E=E63470)				1	1	W 1
55	2	22190-080002	SEAL WASHER 8S	(D=E70159)	(E=E63470)				2	2	W 1

Remarks
 (1) FOR 3TNE74C-ESA01,EG1A01,EG1A02.
 (2) FOR 3TNE74C-SA01,G1A01,G2A01.

Fig.17. FUEL FILTER

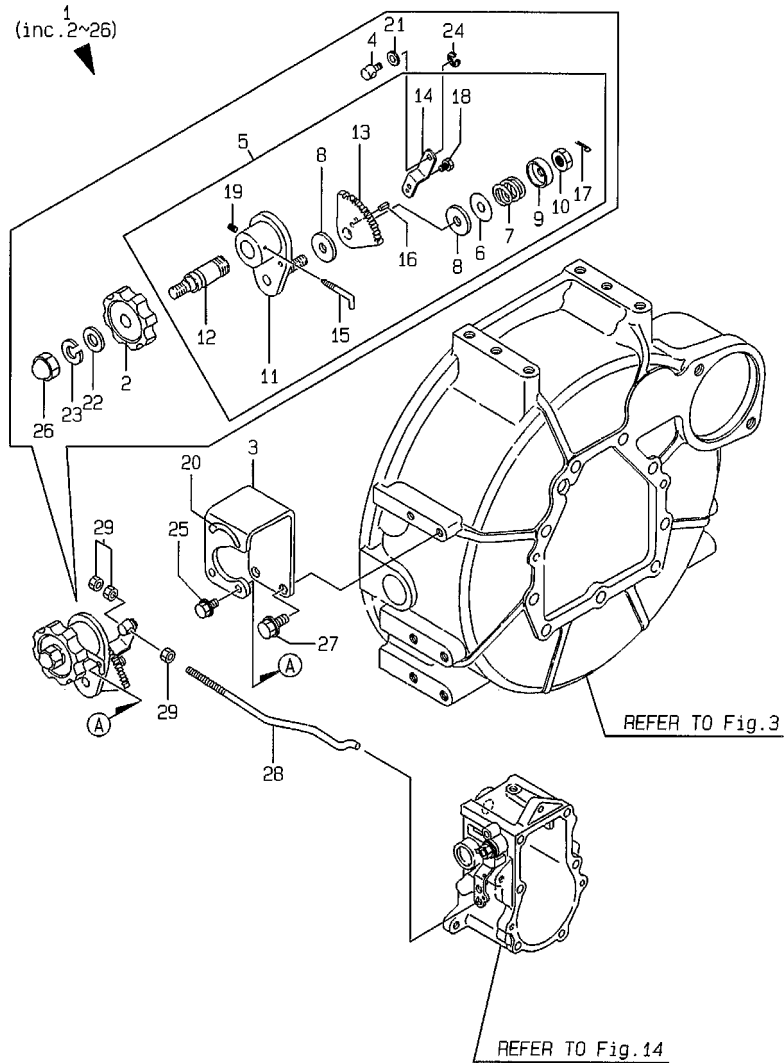
(A)=3TNE74-SA (D)=3TNE74C(E)SA
 (B)=3TNE74-G1A (E)=3TNE74C(E)G1
 (C)=3TNE74-G2A01 (F)=



REF.	LEV.	PARTS NO.	DESCRIPTION	QTY						I	R
				(A)	(B)	(C)	(D)	(E)	(F)		
1	1	121520-01851	GASKET, (NON-ASB.)	1	1	1	1	1			
2	1	119600-52021	PUMP ASSY, FUEL FEED	1	1	1	1	1			
3	1	26106-060162	BOLT M 6X 16 PLATED	2	2	2	2	2			
4	1	171059-55600	STRAINER ASSY, FUEL	1	1	1	1	1			
4-1	1	119255-55620	STRAINER, FUEL				1	1			N 1
			(D=E70159)				(E=E63470)				
5	2	104200-55321	VALVE, TAPER	1	1	1	1	1			
5-1	2	104200-55321	VALVE, TAPER				1	1			Z 1
			(D=E70159)				(E=E63470)				
6	2	104200-55330	SPRING, TAPER VALVE	1	1	1	1	1			
7	2	104200-55341	HANDLE, COCK	1	1	1	1	1			
7-1	2	119810-55340	LEVER				1	1			N 1
			(D=E70159)				(E=E63470)				
8	2	121254-55510	CUP, STRAINER	1	1	1	1	1			
9	2	102103-55520	O-RING	1	1	1	1	1			
10	2	110250-55610	RING, RETAINING	1	1	1	1	1			
11	2	121250-55620	SPRING	1	1	1	1	1			
12	2	124550-55700	ELEMENT	1	1	1	1	1			
14	2	101720-55750	PLUG	2	2	2	2	2			
14-1	2	101720-55750	PLUG				2	2			Z 1
			(D=E70159)				(E=E63470)				
15	2	104200-55750	SCREW M 4	1	1	1	1	1			
16	2	23418-060000	GASKET 6, NYLON	2	2	2	2	2			
16-1	2	23418-060000	GASKET 6, NYLON				2	2			Z 1
			(D=E70159)				(E=E63470)				
17	2	24311-240100	O-RING 1A P-10A	1	1	1	1	1			
18	1	26014-080702	BOLT W/WASHER M8X 70	1	1	1	1	1			
19	1	124160-59011	PIPE ASSY, FUEL OIL	1	1	1	1	1			
19-1	1	119621-59010	PIPE ASSY, FUEL	1	1	1	1	1			N
			(A=E61864) (B=E62086) (C=E61952) (D=E62638) (E=E62008)								
20	2	101304-59020	JOINT 12, PIPE	1	1	1	1	1			
21	2	124766-59050	CLAMP 12	2	2	2	2	2			
22	2	124160-59080	PIPE	1	1	1	1	1			
22-1	2	121024-59090	PIPE,FUEL (D12XL450)	1	1	1	1	1			N
			(A=E61864) (B=E62086) (C=E61952) (D=E62638) (E=E62008)								
23	1	119260-59020	PIPE,FUEL (D12XL400)	1	1	1	1	1			
24	2	104264-59030	JOINT 8, PIPE	1	1	1	1	1			
25	2	124766-59050	CLAMP 12	2	2	2	2	2			
26	2	121024-59090	PIPE,FUEL (D12XL450)	1	1	1	1	1			
27	1	104264-59030	JOINT 8, PIPE	1	1	1	1	1			
28	1	105582-59150	BOLT, PIPE JOINT	2	2	2	2	2			
29	1	103854-59191	BOLT W/PLUG & SEAL	1	1	1	1	1			
31	2	124060-59380	PLUG	1	1	1	1	1			
32	2	22190-060002	SEAL WASHER 6S	1	1	1	1	1			
33	1	22190-080002	SEAL WASHER 8S	2	2	2	2	2			
34	1	22190-080002	SEAL WASHER 8S	2	2	2	2	2			
35	1	104200-59170	GASKET 12	2	2	2	2	2			
35-1	1	22190-120002	SEAL WASHER 12	2	2	2	2	2			N
			(A=E62264) (B=E63875) (C=E62627) (D=E62638) (E=E62462)								

Remarks
 (1) FOR 3TNE74C-ESA01,EG1A01,EG1A02.

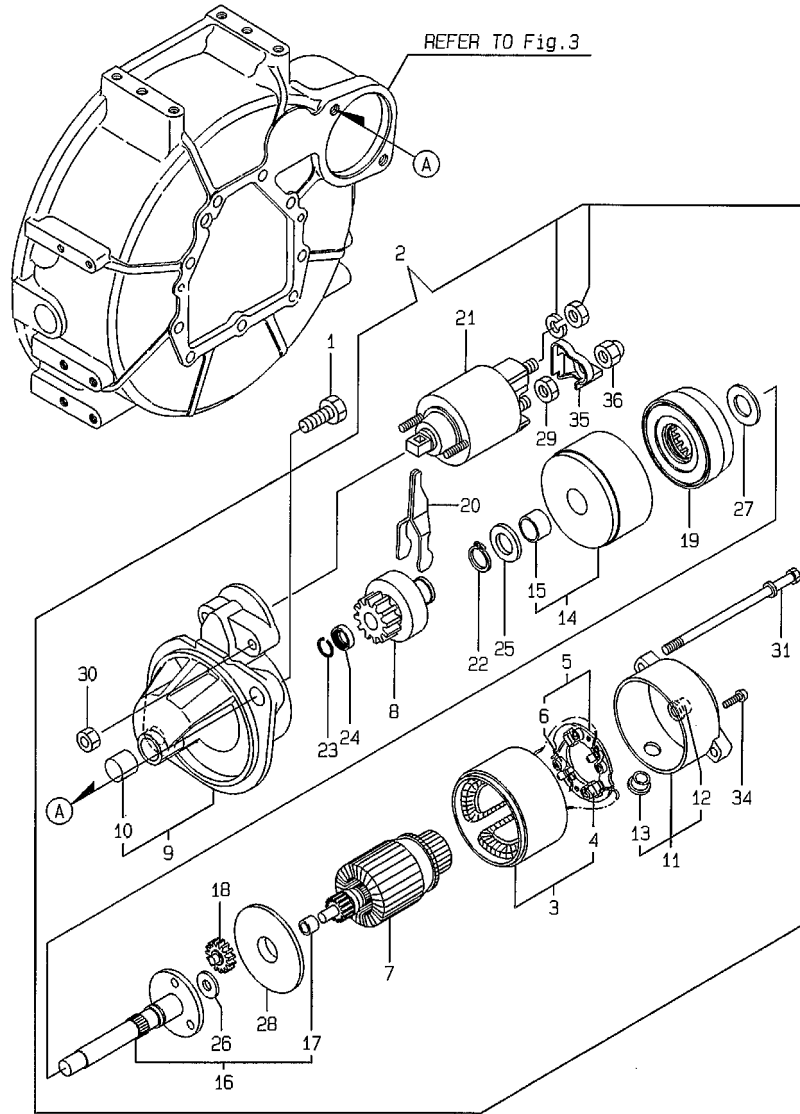
Fig.18. ENGINE CONTROL DEVICE



(A)=3TNE74-SA (D)=3TNE74C(E)SA
 (B)=3TNE74-G1A (E)=3TNE74C(E)G1
 (C)=3TNE74-G2A01 (F)=

REF.	LEV.	PARTS NO.	DESCRIPTION	QTY						I	R
				(A)	(B)	(C)	(D)	(E)	(F)		
1	1	119888-66160	CONTROL DEVICE	1	1	1	1	1	1		
2	2	126650-66020	HANDLE, REGULATOR	1	1	1	1	1	1		
3	2	119888-66110	BRACKET	1	1	1	1	1	1		
4	2	119888-66130	PIVOT	1	1	1	1	1	1		
5	2	171048-67010	REGULATOR ASSY	1	1	1	1	1	1		
6	3	171102-66080	SPACER	1	1	1	1	1	1		
7	3	104200-66820	SPRING	1	1	1	1	1	1		
8	3	104200-66830	PLATE, FRICTION	2	2	2	2	2	2		
9	3	104200-66850	WASHER (B)	1	1	1	1	1	1		
10	3	104200-66860	NUT	1	1	1	1	1	1		
11	3	171085-67100	BRACKET, GEAR	1	1	1	1	1	1		
12	3	171085-67110	SHAFT, DRIVING	1	1	1	1	1	1		
13	3	171085-67120	GEAR	1	1	1	1	1	1		
14	3	171048-67130	LEVER	1	1	1	1	1	1		
15	3	171048-67140	STOPPER	1	1	1	1	1	1		
16	3	22351-020006	SPRING PIN 2X 6	1	1	1	1	1	1		
17	3	22411-200150	PIN 2.0* 15	1	1	1	1	1	1		
18	3	26116-060082	BOLT 6X8	1	1	1	1	1	1		
19	3	26921-050122	SCREW M 5X 12	1	1	1	1	1	1		
20	2	170064-67210	LABEL, HANDLE	1	1	1	1	1	1		
21	2	22117-060000	WASHER 6	1	1	1	1	1	1		
22	2	22137-100000	WASHER 10,POLISHED	1	1	1	1	1	1		
23	2	22217-100000	SPRING WASHER 10	1	1	1	1	1	1		
24	2	22272-000050	CIRCLIP E- 5	1	1	1	1	1	1		
25	2	26106-060102	BOLT M 6X 10 PLATED	2	2	2	2	2	2		
26	2	26657-100002	CAP NUT M10	1	1	1	1	1	1		
27	1	26106-080162	BOLT M 8X 16 PLATED	2	2	2	2	2	2		
28	1	119688-66120	LINK, ENGINE CONTROL	1	1	1	1	1	1		
29	1	26756-050002	LOCK NUT M 5 PLATED	3	3	3	3	3	3		

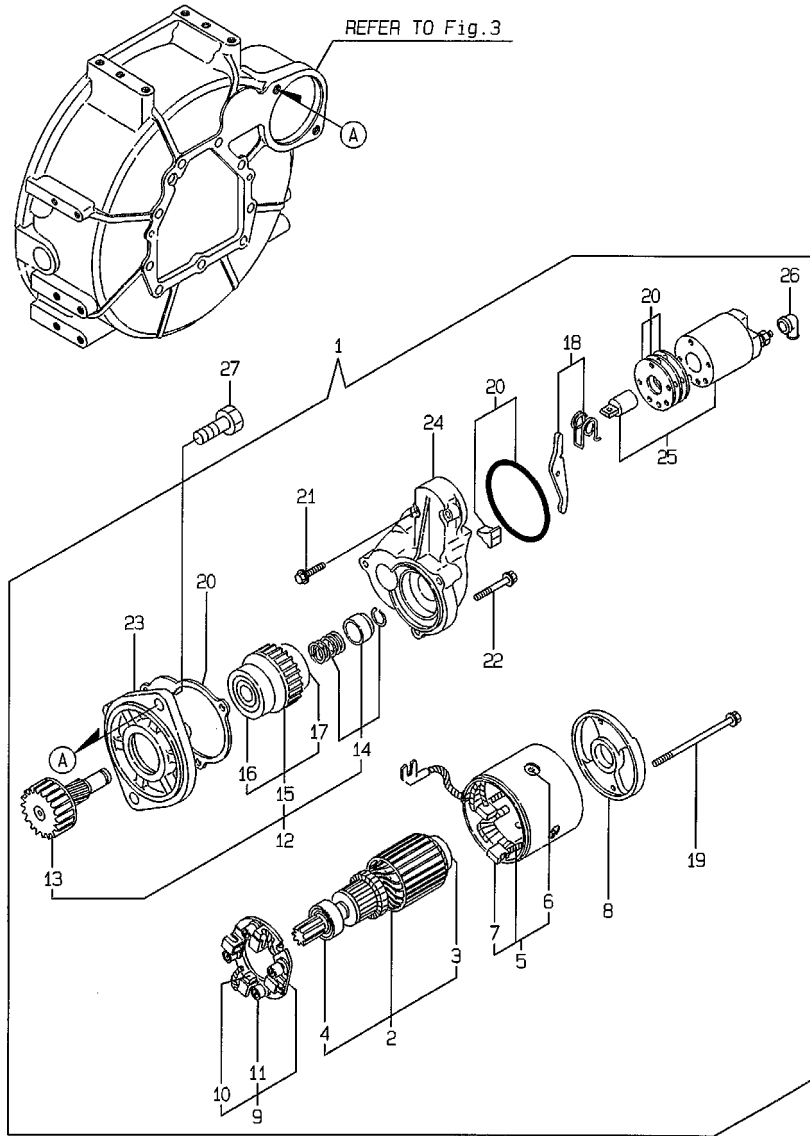
Fig.19. STARTING MOTOR



(A)=3TNE74-SA (D)=3TNE74C(E)SA
 (B)=3TNE74-G1A (E)=3TNE74C(E)G1
 (C)=3TNE74-G2A01 (F)=

REF.	LEV.	PARTS NO.	DESCRIPTION	QTY						I	R
				(A)	(B)	(C)	(D)	(E)	(F)		
1	1	26116-120252	BOLT M12X 25 PLATED	2	2	2	2	2			
2	1	119255-77010	STARTER 12V-1.0W	1	1	1	1	1			
3	2	X0281007680	COIL ASSY, FIELD	1	1	1	1	1			
4	3	X0280996180	STARTER KIT	2	2	2	2	2			
5	2	X0285105190	HOLDER ASSY.	1	1	1	1	1			
6	3	X0285205030	SPRING	4	4	4	4	4			
7	2	X0282005871	ARMATURE ASSY	1	1	1	1	1			
8	2	X0283006960	CLUTCH SUB-ASSY.	1	1	1	1	1			
9	2	X2284005750	HOUSING ASSY	1	1	1	1	1			
10	3	X9491050100	NEEDLE BEARING	1	1	1	1	1			
11	2	X0285005770	FRAME ASSY.	1	1	1	1	1			
12	3	X9491040990	BEARING	1	1	1	1	1			
13	3	X0280626010	COVER	1	1	1	1	1			
14	2	X0284105010	BEARING SUB-ASSY.	1	1	1	1	1			
15	3	X9491034330	BEARING	1	1	1	1	1			
16	2	X0286105010	SHAFT SUB-ASSY.	1	1	1	1	1			
17	3	X9491034320	BEARING	1	1	1	1	1			
18	2	X0286305010	GEAR	3	3	3	3	3			
19	2	X0286355010	GEAR	1	1	1	1	1			
20	2	X0287405140	LEVER	1	1	1	1	1			
21	2	X0534007800	SWITCH,EMERGENCY	1	1	1	1	1			
22	2	X9055715000	RING	1	1	1	1	1			
23	2	X9490721360	RING	1	1	1	1	1			
24	2	X0280210331	NUT	1	1	1	1	1			
25	2	X9490138110	WASHER	1	1	1	1	1			
26	2	X9490138090	WASHER	1	1	1	1	1			
27	2	X9490138100	WASHER	1	1	1	1	1			
28	2	X0284525010	PLATE	1	1	1	1	1			
29	2	X9490562360	NUT	1	1	1	1	1			
30	2	X9490560750	NUT	2	2	2	2	2			
31	2	X9490423520	BOLT, THROUGH	2	2	2	2	2			
34	2	X9490065670	SCREW M 4X 6 (BS)	2	2	2	2	2			
35	2	X0280335360	COVER SET, TERMINAL	1	1	1	1	1			
36	2	X1289510130	NUT	1	1	1	1	1			

Fig.20. STARTING MOTOR(COLD DISTRICT)



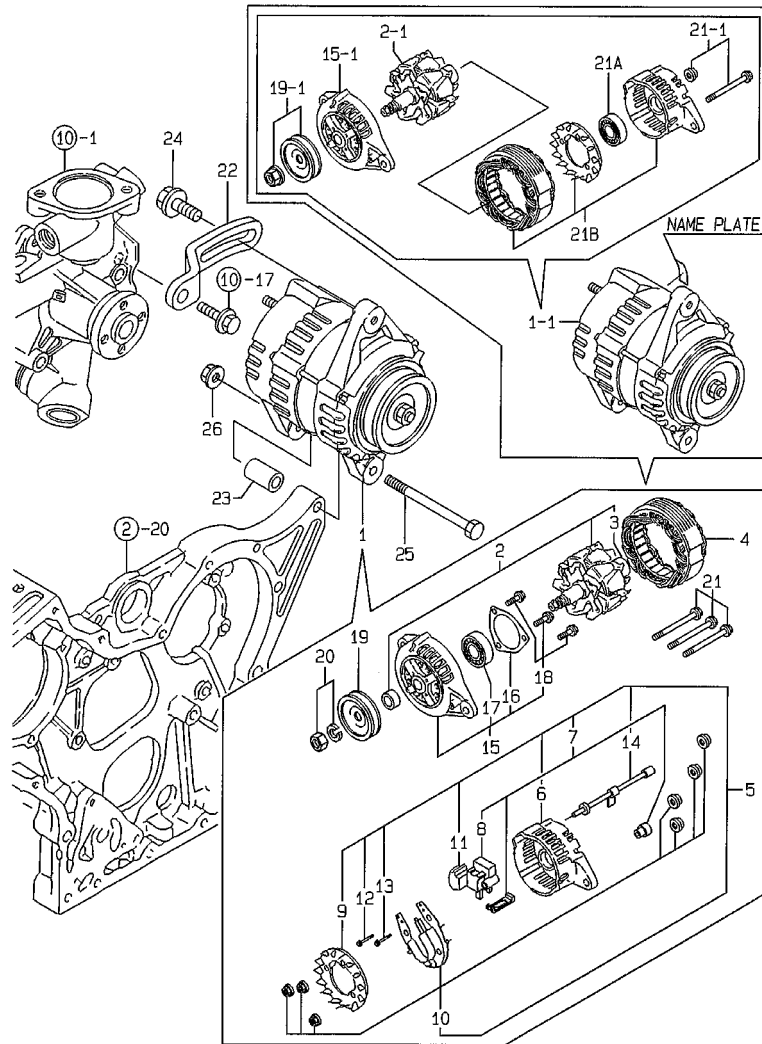
Y00R5260 20. STARTING MOTOR(COLD DISTRICT)

(A)=3TNE74-SA (D)=3TNE74C(E)SA
 (B)=3TNE74-G1A (E)=3TNE74C(E)G1
 (C)=3TNE74-G2A01 (F)=

REF.	LEV.	PARTS NO.	DESCRIPTION	QTY						I	R
				(A)	(B)	(C)	(D)	(E)	(F)		
1	1	119256-77010	MOTOR ASSY, STARTING	1	1	1	1	1			
2	2	X211461005	ARMATURE	1	1	1	1	1			
3	3	X2130350900	BALL BEARING	1	1	1	1	1			
4	3	X211425511	BALL BEARING	1	1	1	1	1			
5	2	X211442003	COIL ASSY, FIELD	1	1	1	1	1			
6	3	X21143215	SCREW, CORE	4	4	4	4	4			
7	3	X211469002	BRUSH (+)	2	2	2	2	2			
8	2	X211483003	COVER, REAR	1	1	1	1	1			
9	2	X211439001	HOLDER ASSY, BRUSH	1	1	1	1	1			
10	3	X211459002	BRUSH (-)	2	2	2	2	2			
11	3	X21148314	SPRING, BRUSH	4	4	4	4	4			
12	2	X211465505	CLUTCH ASSY, PINION	1	1	1	1	1			
13	3	X211465504	SHAFT, PINION	1	1	1	1	1			
14	3	X211429006	STOPPER SET	1	1	1	1	1			
15	3	X2114555500	CLUTCH ASSY	1	1	1	1	1			
16	4	X211495502	BALL BEARING	1	1	1	1	1			
17	4	X224041010	BALL BEARING	1	1	1	1	1			
18	2	X211476012	LEVER	1	1	1	1	1			
19	2	X211468005	BOLT, THROUGH	2	2	2	2	2			
20	2	171008-77571	DUST COVER,(NON-ASB.	1	1	1	1	1			
21	2	X21145866	BOLT	2	2	2	2	2			
22	2	X21142867	BOLT	3	3	3	3	3			
23	2	X2114765040	HOUSING ASSY, GEAR	1	1	1	1	1			
24	2	X2114145010	CENTER HOUSING	1	1	1	1	1			
25	2	171008-77531	MAGNETIC SWITCH ASSY	1	1	1	1	1			
26	2	X21142742	COVER (A), RUBBER	1	1	1	1	1			
27	1	26116-120252	BOLT M12X 25 PLATED	2	2	2	2	2			

Fig.21. GENERATOR

(A)=3TNE74-SA (D)=3TNE74C(E)SA
 (B)=3TNE74-G1A (E)=3TNE74C(E)G1
 (C)=3TNE74-G2A01 (F)=



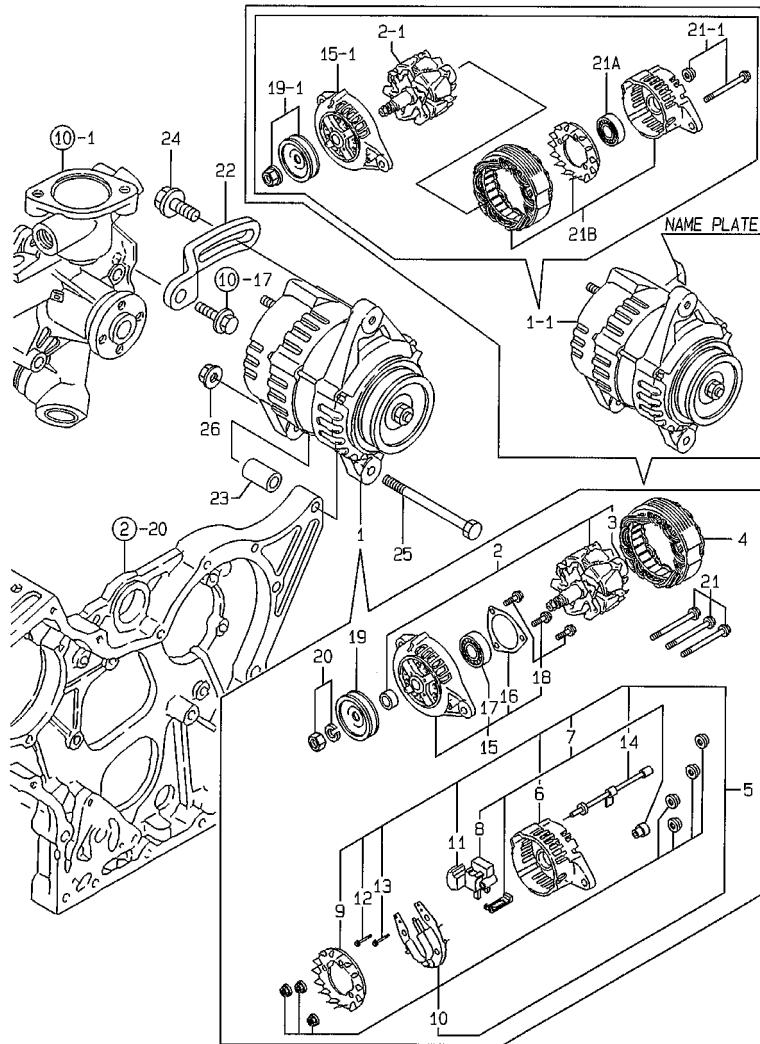
REF.	LEV.	PARTS NO.	DESCRIPTION	QTY						I	R
				(A)	(B)	(C)	(D)	(E)	(F)		
1	1	119836-77200	GENERATOR	1	1	1	1	1	1		
1-1	1	119836-77201	GENERATOR (AC)	1	1	1	1	1	1		R
		(A=E63344)	(B=E63875)	(C=E63345)	(D=E63767)	(E=E63353)					
1-2	1	119624-77201	GENERATOR	1	1	1	1	1	1		N
		(A=E65185)	(B=E65412)	(C=E65188)	(D=E70159)	(E=E63470)					
2	2	119836-77700	ROTOR ASSY	1	1	1	1	1	1		
2-1	2	129612-77700	ROTOR ASSY	1	1	1	1	1	1		S
		(A=E63344)	(B=E63875)	(C=E63345)	(D=E63767)	(E=E63353)					
3	3	119836-77850	BALL BEARING	1	1	1	1	1	1		Z
		(A=E63344)	(B=E63875)	(C=E63345)	(D=E63767)	(E=E63353)					
4	2	119836-77710	STATOR ASSY	1	1	1	1	1	1		Z
		(A=E63344)	(B=E63875)	(C=E63345)	(D=E63767)	(E=E63353)					
5	2	119836-77721	COVER ASSY, REAR	1	1	1	1	1	1		Z
		(A=E63344)	(B=E63875)	(C=E63345)	(D=E63767)	(E=E63353)					
6	3	119836-77730	COVER, REAR	1	1	1	1	1	1		Z
		(A=E63344)	(B=E63875)	(C=E63345)	(D=E63767)	(E=E63353)					
7	3	119836-77741	BRUSH ASSY,REGULATOR	1	1	1	1	1	1		Z
		(A=E63344)	(B=E63875)	(C=E63345)	(D=E63767)	(E=E63353)					
8	4	119836-77750	BRUSH ASSY	1	1	1	1	1	1		Z
		(A=E63344)	(B=E63875)	(C=E63345)	(D=E63767)	(E=E63353)					
9	3	119836-77760	GUIDE, FAN SIDE	1	1	1	1	1	1		Z
		(A=E63344)	(B=E63875)	(C=E63345)	(D=E63767)	(E=E63353)					
10	3	119836-77770	DIODE ASSY	1	1	1	1	1	1		Z
		(A=E63344)	(B=E63875)	(C=E63345)	(D=E63767)	(E=E63353)					
11	3	119836-77780	CONDENSER	1	1	1	1	1	1		Z
		(A=E63344)	(B=E63875)	(C=E63345)	(D=E63767)	(E=E63353)					
12	3	119836-77871	BOLT (1)	1	1	1	1	1	1		Z
		(A=E63344)	(B=E63875)	(C=E63345)	(D=E63767)	(E=E63353)					
13	3	119836-77880	BOLT (2)	1	1	1	1	1	1		Z
		(A=E63344)	(B=E63875)	(C=E63345)	(D=E63767)	(E=E63353)					
14	3	119836-77890	WIRE ASSY, LEAD	1	1	1	1	1	1		Z
		(A=E63344)	(B=E63875)	(C=E63345)	(D=E63767)	(E=E63353)					
15	2	119836-77790	COVER ASSY, FRONT	1	1	1	1	1	1		
15-1	2	129612-77730	FRONT BRACKET ASSY	1	1	1	1	1	1		S
		(A=E63344)	(B=E63875)	(C=E63345)	(D=E63767)	(E=E63353)					
16	3	119836-77800	RETAINER, BEARING	1	1	1	1	1	1		Z
		(A=E63344)	(B=E63875)	(C=E63345)	(D=E63767)	(E=E63353)					
17	3	119836-77840	BALL BEARING	1	1	1	1	1	1		Z
		(A=E63344)	(B=E63875)	(C=E63345)	(D=E63767)	(E=E63353)					
18	3	119836-77860	SCREW KID	1	1	1	1	1	1		Z
		(A=E63344)	(B=E63875)	(C=E63345)	(D=E63767)	(E=E63353)					
19	2	119836-77810	PULLEY	1	1	1	1	1	1		
19-1	2	129612-77740	PULLEY	1	1	1	1	1	1		S
		(A=E63344)	(B=E63875)	(C=E63345)	(D=E63767)	(E=E63353)					
19-2	2	119624-77720	PULLEY	1	1	1	1	1	1		S 1
		(A=E65185)	(B=E65412)	(C=E65188)	(D=E70159)	(E=E63470)					
20	2	119836-77820	NUT ASSY, PULLEY	1	1	1	1	1	1		Z
		(A=E63344)	(B=E63875)	(C=E63345)	(D=E63767)	(E=E63353)					
21	2	119836-77830	BOLT, THROUGH	1	1	1	1	1	1		
21-1	2	129612-77750	SCREW KIT	1	1	1	1	1	1		S
		(A=E63344)	(B=E63875)	(C=E63345)	(D=E63767)	(E=E63353)					
21A	2	129612-77710	BALL BEARING	1	1	1	1	1	1		W
		(A=E63344)	(B=E63875)	(C=E63345)	(D=E63767)	(E=E63353)					
21B	2	119836-77920	BRACKET ASSY, REAR	1	1	1	1	1	1		W

++ CONTINUE ++

Remarks
 (1) CERTAIN THE NAME PLATE.THEN PLACE
 YOUR ORDER.(REFER TO ILLUSTRATION)

Fig.21. GENERATOR

(A)=3TNE74-SA (D)=3TNE74C(E)SA
 (B)=3TNE74-G1A (E)=3TNE74C(E)G1
 (C)=3TNE74-G2A01 (F)=

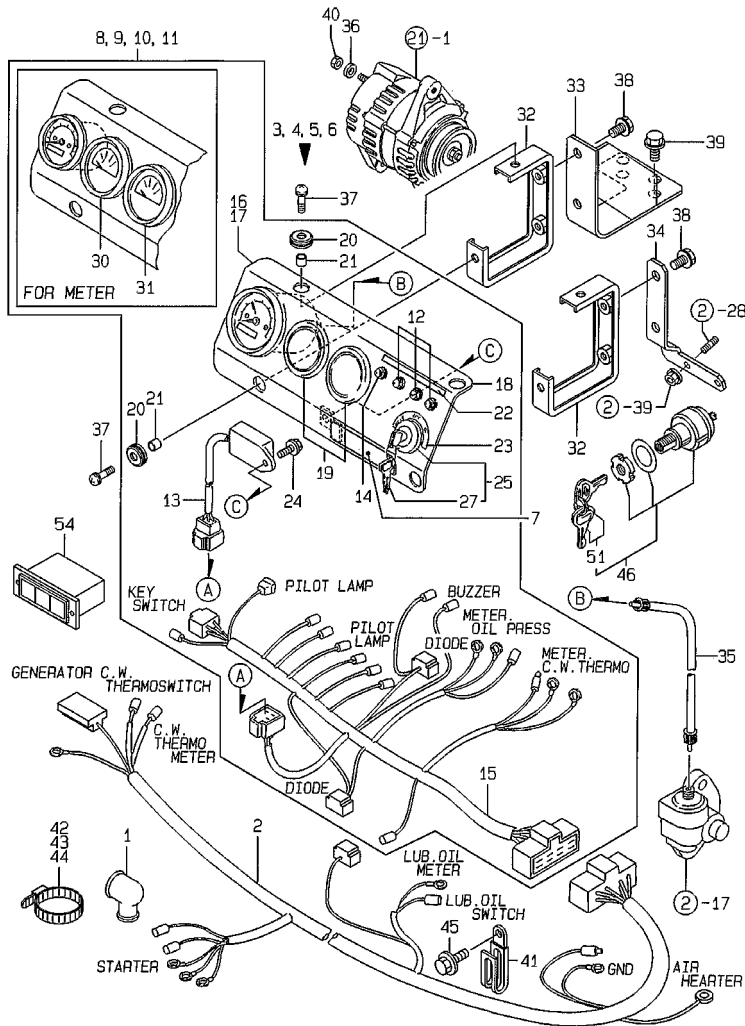


REF.	LEV.	PARTS NO.	DESCRIPTION	QTY						I	R	
				(A)	(B)	(C)	(D)	(E)	(F)			
21B-1	2	(A=E63344) (B=E63875) 129612-77760	(C=E63345) (D=E63767) BRACKET ASSY, REAR	(E=E63353)	1	1	1	1	1	1	S	1
		(A=E65185) (B=E65412)	(C=E65188) (D=E70159)	(E=E63470)								
22	1	119621-77331	ADJUSTER, BELT		1	1	1	1	1			
22-1	1	119660-77330	ADJUSTER, BELT		1	1	1	1	1	1		R
		(A=E63344) (B=E63875)	(C=E63345) (D=E63767)	(E=E63353)								
23	1	119621-77340	SPACER		1	1	1	1	1			
24	1	26106-080182	BOLT M 8X 18 PLATED		1	1	1	1	1			
25	1	26106-081052	BOLT M 8X105 PLATED		1	1	1	1	1			
26	1	26366-080002	NUT M 8		1	1	1	1	1			

Remarks
 (1) CERTAIN THE NAME PLATE.THEN PLACE
 YOUR ORDER.(REFER TO ILLUSTRATION)

Fig.22. PANEL

(A)=3TNE74-SA (D)=3TNE74C(E)SA
 (B)=3TNE74-G1A (E)=3TNE74C(E)G1
 (C)=3TNE74-G2A01 (F)=

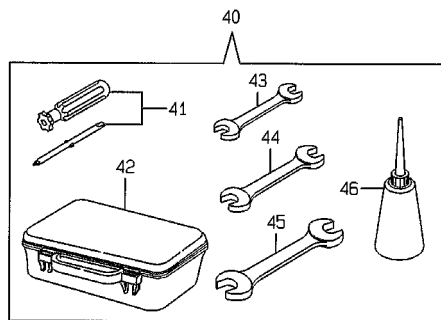
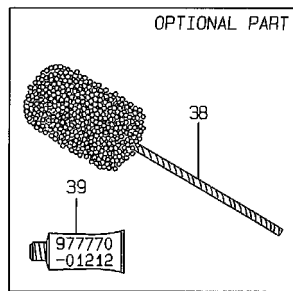
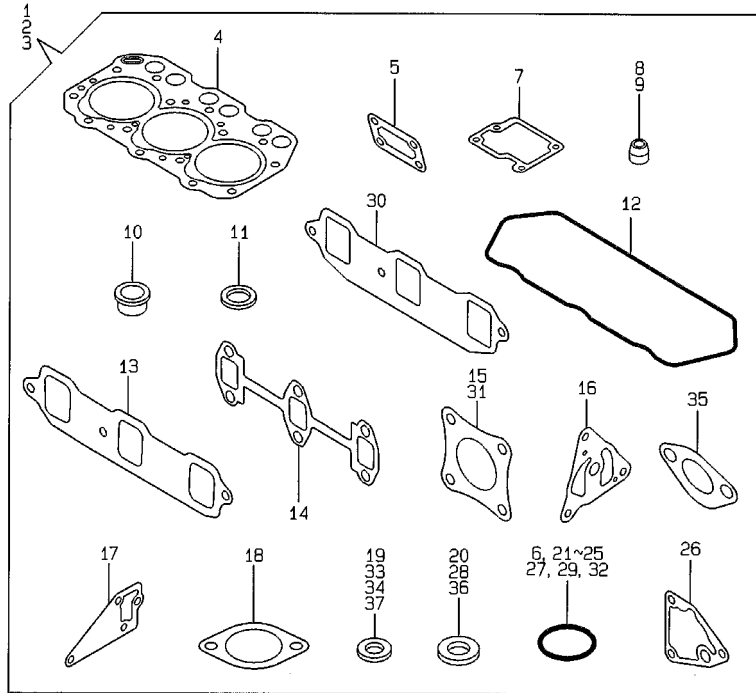


REF.	LEV.	PARTS NO.	DESCRIPTION	QTY						I	R
				(A)	(B)	(C)	(D)	(E)	(F)		
1	1	119773-77030	COVER	1	1	1	1	1			
1-1	1	124550-77030	COVER, TERMINAL	1	1	1	1	1			R
		(A=EXXX) (B=EXXX) (C=EXXX) (D=EXXX) (E=EXXX)									
2	1	119888-91022	HARNESS(A), WIRE	1	1	1	1	1			
3	1	119888-91101	PANEL ASSY, INSTRUM	1		1	1				
4	1	119888-91301	PANEL ASSY, INSTRUM		1			1			
5	1	119888-91201	PANEL ASSY, INSTRUM	1		1	1				1
6	1	119888-91311	PANEL ASSY, INSTRUM		1			1			1
7	2	104507-07190	LABEL, YANMAR	1	1	1	1	1			
8	2	170121-91100	PANEL ASSY, INSTRUM.	1		1	1				1
9	2	119888-91320	PANEL, INSTRUMENT		1			1			
10	2	119888-91220	CONTROL PANEL CMP.	1		1	1				1
11	2	119888-91330	PANEL, INSTRUMENT		1			1			1
12	3	124732-77720	LAMP, CHARGING	3	3	3	3	3			
13	3	128300-77920	TIMER	1	1	1	1	1			
14	3	124559-77971	LAMP, PILOT	1	1	1	1	1			
15	3	119888-91031	HARNESS (B), WIRE	1	1	1	1	1			
16	3	171080-91100	TACHOMETER	1		1	1				
16-1	3	171080-91101	TACHOMETER	1		1	1				N
		(A=E73768) (C=E73529) (D=E72458)									
17	3	171082-91100	TACHOMETER		1			1			
18	3	119888-91110	BODY	1	1	1	1	1			
19	3	124770-91220	COVER 52	2	2	2	2	2			
20	3	121400-91520	ABSORBER	4	4	4	4	4			
21	3	121400-91530	SPACER	4	4	4	4	4			
22	3	119888-91610	LABEL, CW & OIL LAMP	1	1	1	1	1			
23	3	119888-91620	LABEL, KEY SWITCH	1	1	1	1	1			
24	3	26106-060102	BOLT M 6X 10 PLATED	1	1	1	1	1			
25	3	933110-00100	SWITCH ASSY, STARTER	1	1	1	1	1			
27	4	933110-00301	KEY ASSY	2	2	2	2	2			
30	3	171010-77850	THERMOMETER, C.W.	1	1	1	1	1			1
31	3	171090-91010	GAUGE, PRESSURE	1	1	1	1	1			1
32	1	119888-91120	SUPPORT, PANEL	2	2	2	2	2			
33	1	119288-91130	BRACKET	1	1	1	1	1			
34	1	119288-91140	SUPPORT	1	1	1	1	1			
35	1	124701-91140	CABLE L= 985	1	1	1	1	1			
36	1	22117-050000	WASHER 5	1	1	1	1	1			
37	1	26033-060202	SCREW W/WASHER 6* 20	4	4	4	4	4			
38	1	26106-080122	BOLT M 8X 12 PLATED	4	4	4	4	4			
39	1	26106-100502	BOLT M10X 50 PLATED	2	2	2	2	2			
40	1	26716-050002	NUT M 5	1	1	1	1	1			
41	1	194180-51640	CLAMP, WIRE HARNESS	1	1	1	1	1			
42	1	121750-59890	CLAMP 140	1	1	1	1	1			
43	1	121750-59890	CLAMP 140	1	1	1	1	1			
44	1	121750-59890	CLAMP 140	1	1	1	1	1			
45	1	26106-100122	BOLT M10X 12 PLATED	1	1	1	1	1			
46	1	194215-52110	SWITCH, STARTING			1					
51	2	194155-52160	KEY			1					
54	1	170038-91310	UNIT, LAMP (RED)			1					

Remarks
 (1) WITH C.W.THERMOMETER(REF.NO.30,
 P/# 171010-77850) & PRESSURE
 GAUGE(REF.NO.31,P/# 171090-91010).

Fig.23. TOOL & GASKET SET

(A)=3TNE74-SA (D)=3TNE74C(E)SA
 (B)=3TNE74-G1A (E)=3TNE74C(E)G1
 (C)=3TNE74-G2A01 (F)=



REF.	LEV.	PARTS NO.	DESCRIPTION	QTY						I	R	
				(A)	(B)	(C)	(D)	(E)	(F)			
1	1	719623-92700	GASKET SET(NON-ASB.)	1	1		1					1
2	1	719623-92710	GASKET SET(NON-ASB.)				1					1
3	1	719623-92720	GASKET SET(NON-ASB.)							1		1
4	2	119623-01330	GASKET, CYL. HEAD	1	1	1	1	1	1			
4-1	2	119623-01340	GASKET, CYL. HEAD	1	1	1	1	1	1			R
		(A=E62646)	(B=E63875)	(C=E62793)	(D=E62785)	(E=E62734)						
5	2	119660-01562	GASKET, (NON-ASB.)	1	1	1	1	1	1			
6	2	24311-000320	O-RING 1A P-32.0	1	1	1	1	1	1			
7	2	119620-03031	GASKET, (NON-ASB.)	1	1	1	1	1	1			
8	2	124950-11340	SEAL, VALVE STEM	3	3	3	3	3	3			
9	2	124160-11340	SEAL, VALVE STEM	3	3	3	3	3	3			
10	2	119600-11450	PROTECTOR, NOZZLE	3	3	3	3	3	3			
11	2	119600-11460	GASKET, NOZZLE	6	6	6	6	6	6			
12	2	119620-11310	GASKET, BONNET	1	1	1	1	1	1			
13	2	119660-12111	GASKET, SUC.MANIFOLD	1	1	1	1	1	1			
14	2	119620-13110	GASKET, EXH.MANIFOLD	1	1	1	1	1	1			
15	2	121000-13201	GASKET, SILENCER	2	2	2	2	2	2			
16	2	119660-32020	GASKET, L.O.PUMP	1	1	1	1	1	1			
17	2	119620-42020	GASKET, C.W. PUMP	1	1	1	1	1	1			
17-1	2	119620-42021	GASKET, C.W. PUMP	1	1	1	1	1	1			N
		(A=E63508)	(B=E63875)	(C=E63804)	(D=E63767)	(E=E63470)						
18	2	129350-49541	GASKET, (NON-ASB.)	1	1	1	1	1	1			
19	2	124465-44950	GASKET 16	3	3	3	3	3	3			
20	2	22190-080002	SEAL WASHER 8S	4	4	4	4	4	4			
21	2	24311-000120	O-RING 1A P 12.0	2	2	2	2	2	2			
22	2	24341-000240	O-RING 1A S-24.0	2	2	2	2	2	2			
23	2	24311-000160	O-RING 1A P-16.0	1	1	1	1	1	1			
24	2	24321-000600	O-RING 1A G-60.0						1			
25	2	24321-000700	O-RING 1A G70.0,NBR						1			
26	2	119660-35113	GASKET, (NON-ASB.)	1	1	1	1	1	1			
27	2	119624-32040	O-RING P 12.0	2	2	2	2	2	2			
28	2	22190-220002	SEAL WASHER 22S	2	2				2	1		
29	2	24341-000250	O-RING 1A S-25.0			2						
30	2	119620-12111	GASKET, (NON-ASB.)									1
31	2	121000-13201	GASKET, SILENCER	1	1	1	1	1	1			
31-1	2	124701-11911	GASKET, (NON-ASB.)	1	1	1	1	1	1			R
		(A=E62751)	(B=E63875)	(C=E62793)	(D=E62785)	(E=E62727)						
32	2	119209-35030	O-RING	1	1	1	1	1	1			
33	2	129150-49360	GASKET 10	1	1	1	1	1	1			
34	2	23414-140000	GASKET 14, ROUND	3	3	3	3	3	3			
34-1	2	22190-140002	SEAL WASHER 14S	3	3	3	3	3	3			N
		(A=E62264)	(B=E63857)	(C=E62627)	(D=E62638)	(E=E62462)						
35	2	121520-01851	GASKET, (NON-ASB.)	1	1	1	1	1	1			
36	2	22190-060002	SEAL WASHER 6S	1	1	1	1	1	1			
37	2	104200-59170	GASKET 12	2	2	2	2	2	2			
37-1	2	22190-120002	SEAL WASHER 12	2	2	2	2	2	2			N
		(A=E62264)	(B=E63857)	(C=E62627)	(D=E62638)	(E=E62462)						
38	1	129400-92410	FLEX HORN	1	1	1	1	1	1			1
39	1	977770-01212	GASKET, LIQUID	1	1	1	1	1	1			1
40	1	721400-92102	TOOL ASSY	1	1	1	1	1	1			
41	2	104200-92350	DRIVER, SCREW	1	1	1	1	1	1			
42	2	104200-92600	TOOL BOX	1	1	1	1	1	1			
43	2	28110-100120	WRENCH 10X12	1	1	1	1	1	1			
44	2	28110-140170	WRENCH 14X17	1	1	1	1	1	1			

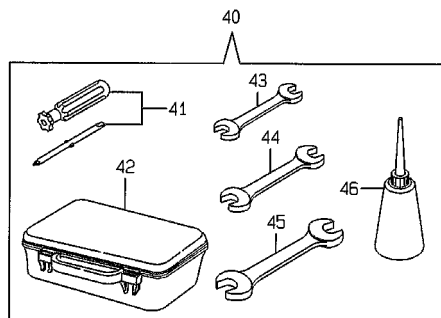
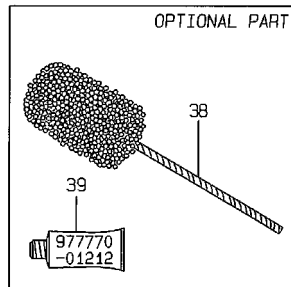
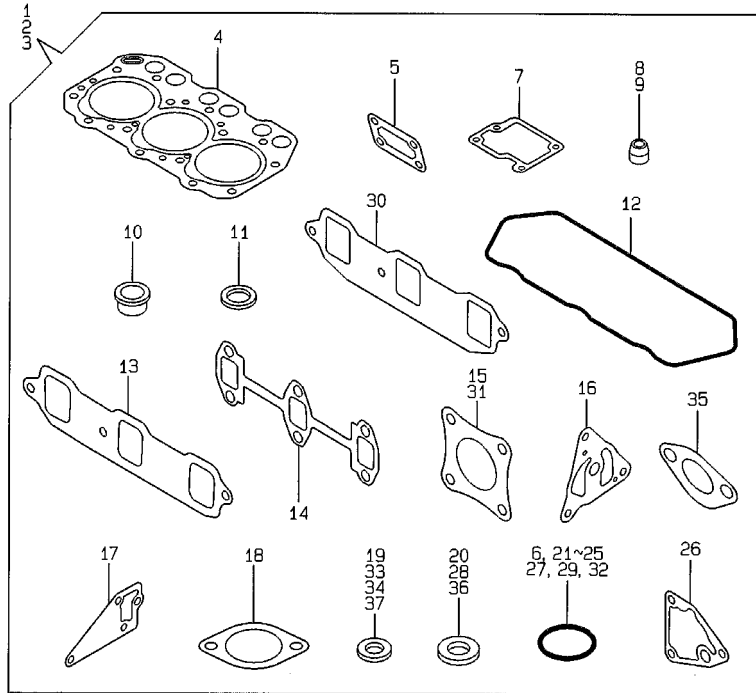
++ CONTINUE ++

Remarks
 (1) OPTIONAL PART.

Fig.23. TOOL & GASKET SET

(A)=3TNE74-SA (D)=3TNE74C(E)SA
 (B)=3TNE74-G1A (E)=3TNE74C(E)G1
 (C)=3TNE74-G2A01 (F)=

REF.	LEV.	PARTS NO.	DESCRIPTION	QTY						I	R
				(A)	(B)	(C)	(D)	(E)	(F)		
45	2	28110-190220	WRENCH 19X22	1	1	1	1	1	1		
46	2	28210-000140	FEEDER, OIL	1	1	1	1	1	1		



Remarks
 (1) OPTIONAL PART.