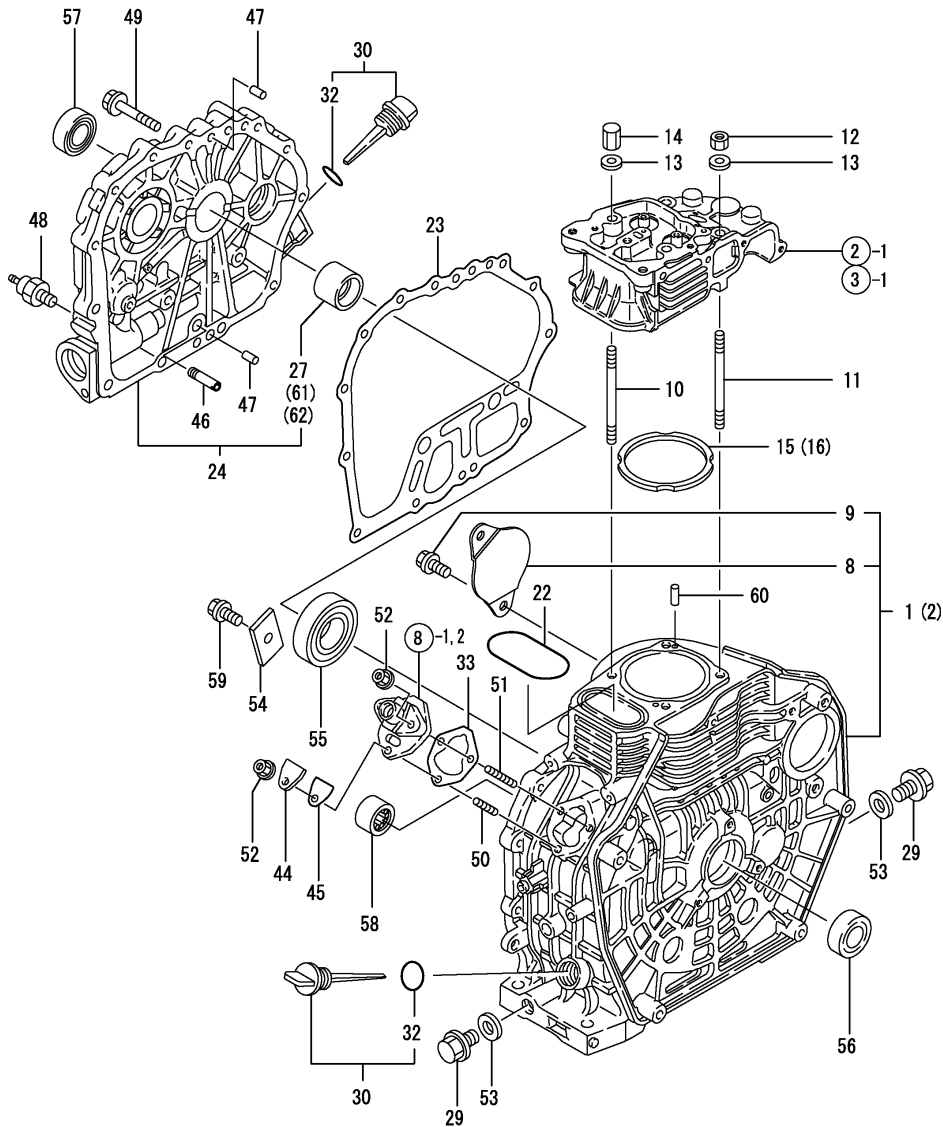


Fig.1. CYLINDER BLOCK

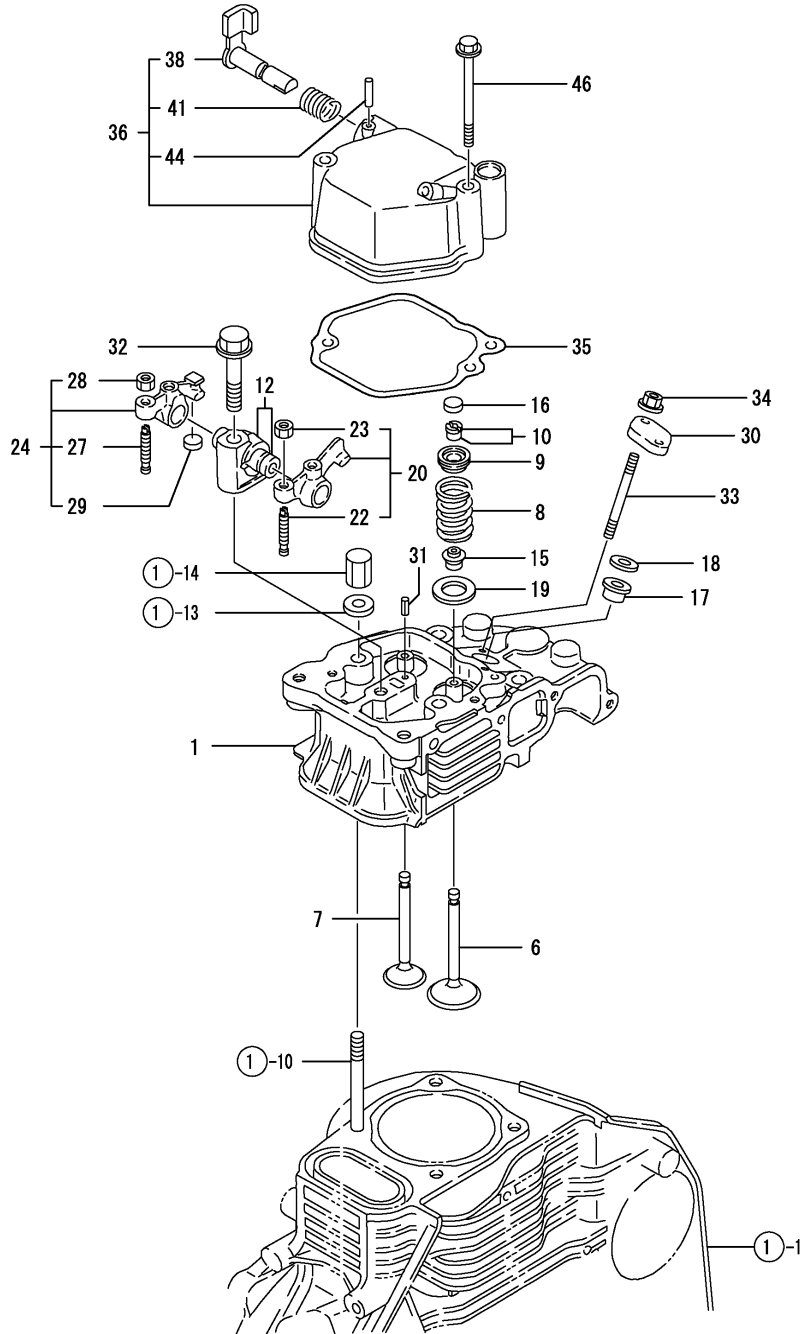


(A)=L70ADEVK (D)=
 (B)=L70AE-DEVK (E)=
 (C)=L70EE-DEVK (F)=

REF.	LEV.	PARTS NO.	DESCRIPTION	Q'TY						I	R
				(A)	(B)	(C)	(D)	(E)	(F)		
1	1	714888-01560	BLOCK ASSY, CYLINDER	1	1						
2	1	714875-01560	BLOCK ASSY, CYLINDER								
8	2	114350-01700	COVER, STARTER	1	1	1					
9	2	26106-100122	BOLT M10X 12 PLATED	2	2	2					
10	1	114350-01200	STUD, CYL. HEAD	2	2	2					
11	1	114350-01210	STUD, CYL. HEAD	2	2	2					
12	1	114350-01220	NUT 9	2	2	2					
13	1	105225-01240	WASHER	4	4	4					
14	1	114350-01250	NUT 9	2	2	2					
15	1	114870-01340	GASKET, CYL. HEAD	1	1						
16	1	114871-01330	GASKET,CYL. HEAD CMP				1				
22	1	114350-01380	O-RING	1	1	1					
23	1	114350-01412	GASKET, CRANK CASE	1	1	1					
24	1	114360-01454	COVER (D),CRANK CASE	1	1	1					
27	2	114350-02100	BEARING, MAIN	1	1	1					1
29	1	105425-01690	PLUG M16	2	2	2					
30	1	114699-01760	CAP, W/LUB.OIL GAUGE	2	2	2					
32	2	114299-01950	O-RING	2	2	2					
33	1	114250-01800	SHIM SET	1	1	1					
44	1	114250-01830	COVER, INSPEC.WINDOW	1	1	1					
45	1	114250-01841	GASKET	1	1	1					
46	1	114250-35150	PIPE, L.O. INLET	1	1	1					
47	1	114270-01600	PARALLEL PIN 8X12	2	2	2					
48	1	121252-39450	SENDER, OIL PRESSURE	1	1	1					
49	1	26106-080352	BOLT M 8X 35 PLATED	15	15	15					
50	1	26226-060182	STUD M 6X 18 PLATED	1	1	1					
51	1	26226-060222	STUD M 6X 22 PLATED	2	2	2					
52	1	26366-060002	NUT M 6	3	3	3					
53	1	22190-160002	SEAL WASHER 16S	2	2	2					
54	1	114299-02030	RETAINER	1	1	1					
55	1	114350-02113	BALL BEARING	1	1	1					
56	1	160110-02220	SEAL, OIL	1	1	1					
57	1	160110-02220	SEAL, OIL	1	1	1					
58	1	24162-152112	NEEDLE BEARING	1	1	1					
59	1	26106-080122	BOLT M 8X 12 PLATED	1	1	1					
60	1	22312-040080	PIN 4X8,STRAIGHT			2					
61	1	114350-02200	MAIN BEARING US=0.25	1	1	1					2
62	1	114350-02210	MAIN BEARING US=0.50	1	1	1					3

Remarks
 (1) REPAIR PART.
 (2) UNDER-SIZE (U.S=0.25) PART.
 (3) UNDER-SIZE (U.S=0.50) PART.

Fig.2. CYLINDER HEAD & BONNET

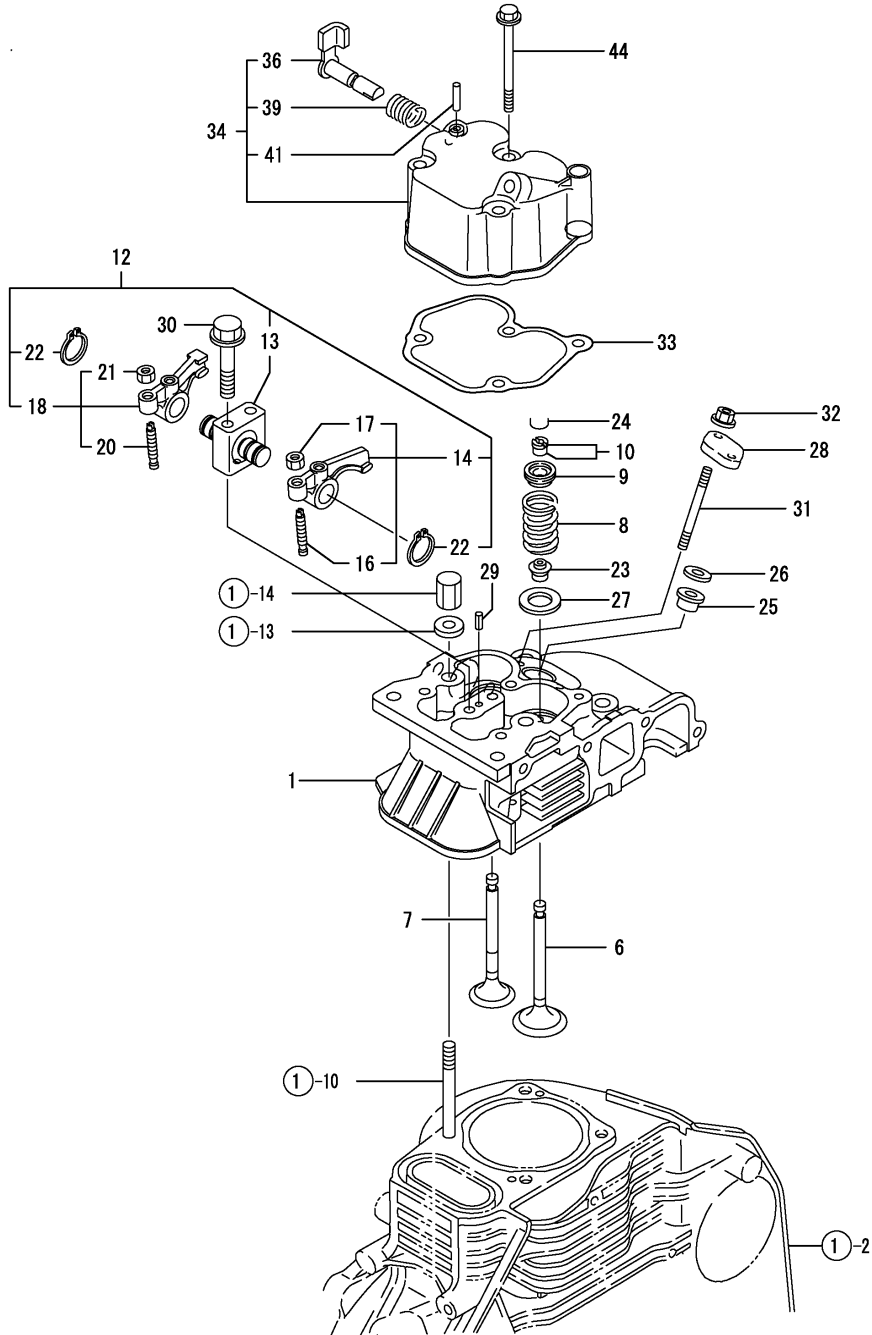


(A)=L70ADEVMK (D)=
 (B)=L70AE-DEVMK (E)=
 (C)=L70EE-DEVMK (F)=

REF.	LEV.	PARTS NO.	DESCRIPTION	Q'TY						I	R
				(A)	(B)	(C)	(D)	(E)	(F)		
1	1	114870-11021	HEAD ASSY, CYLINDER	1	1						
6	1	114350-11101	VALVE, SUCTION	1	1						
7	1	114350-11113	VALVE, EXHAUST	1	1						
8	1	114350-11120	SPRING, VALVE	2	2						
9	1	101158-11180	RETAINER, SPRING	2	2						
10	1	27310-060001	COTTER ASSY	2	2						
12	1	114250-11290	SUPPORT, ROCKER ARM	1	1						
15	1	114350-11340	SEAL, VALVE STEM	2	2						
16	1	105010-11490	CAP, VALVE	1	1						
17	1	114250-11460	GASKET, NOZZLE	1	1						
18	1	114350-11470	SPACER, NOZZLE	1	1						
19	1	114250-11600	WASHER	2	2						
20	1	114250-11651	ARM ASSY, INTAKE	1	1						
22	2	114250-11240	SCREW, VALVE ADJUST.	1	1						
23	2	26856-060002	LOCK NUT 6	1	1						
24	1	714370-11660	ARM ASSY, EXHAUST	1	1						
27	2	114250-11240	SCREW, VALVE ADJUST.	1	1						
28	2	26856-060002	LOCK NUT 6	1	1						
29	2	105010-11490	CAP, VALVE	1	1						
30	1	114250-11901	RETAINER	1	1						
31	1	22351-040008	SPRING PIN 4X 8	1	1						
32	1	26106-080452	BOLT M 8X 45 PLATED	1	1						
33	1	26226-060502	STUD M 6X 50	2	2						
34	1	26366-060002	NUT M 6	2	2						
35	1	114250-11311	GASKET, BONNET	1	1						
36	1	114250-11951	BONNET ASSY, HEAD	1	1						
38	2	114250-03591	SHAFT ASSY, DECOMP.	1	1						
41	2	114250-03640	SPRING	1	1						
44	2	22312-030160	PARALLEL PIN 3X16	1	1						
46	1	26106-060552	BOLT M 6X 55 PLATED	2	2						

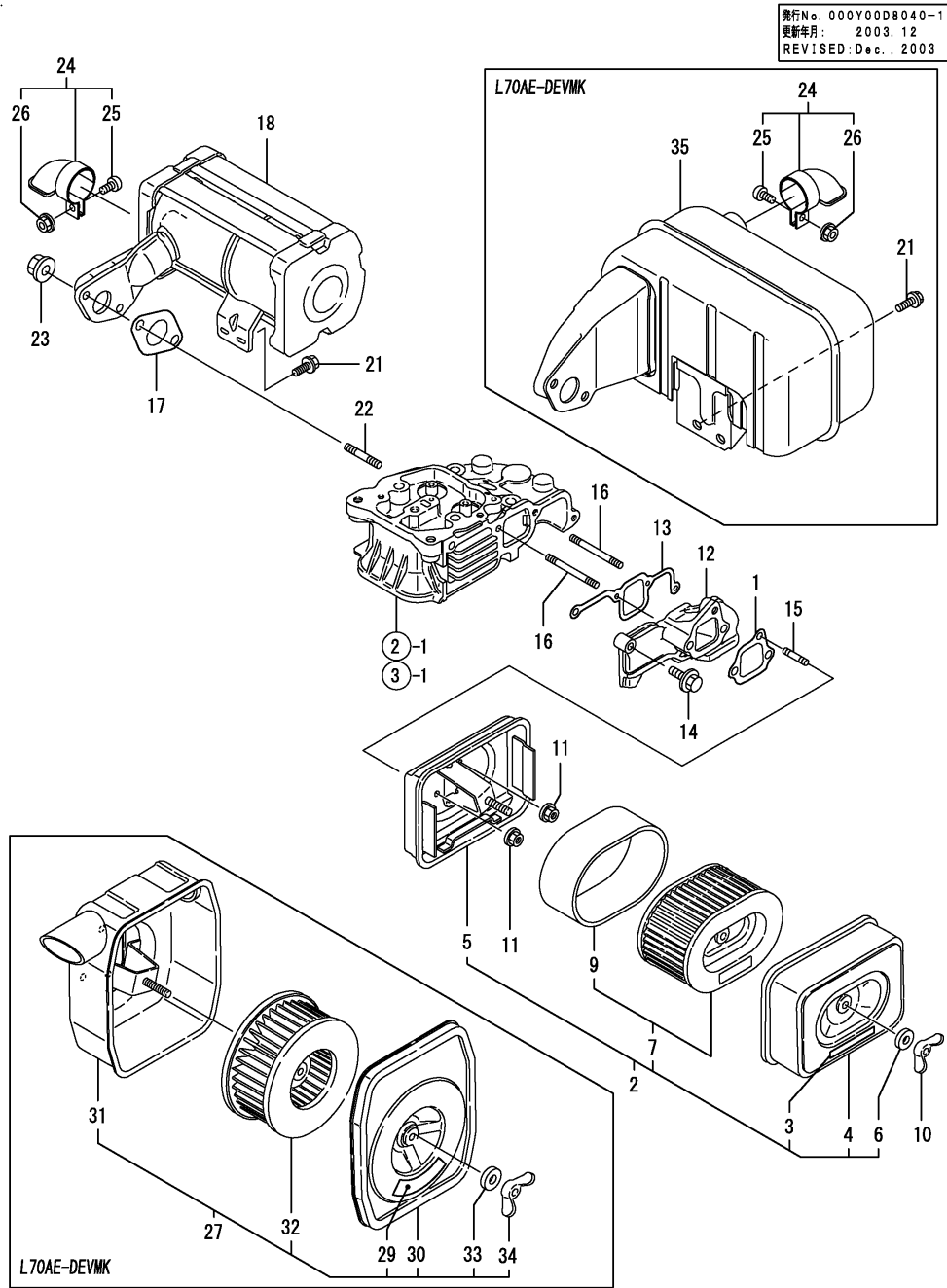
Fig.3. CYLINDER HEAD & BONNET

(A)=L70ADEVMK (D)=
 (B)=L70AE-DEVMK (E)=
 (C)=L70EE-DEVMK (F)=



REF.	LEV.	PARTS NO.	DESCRIPTION	Q'TY						I	R
				(A)	(B)	(C)	(D)	(E)	(F)		
1	1	114871-11020	CYLINDER HEAD			1					
6	1	114871-11100	VALVE, SUCTION			1					
7	1	114871-11110	VALVE, EXHAUST			1					
8	1	114350-11120	SPRING, VALVE			2					
9	1	101158-11180	RETAINER, SPRING			2					
10	1	27310-060001	COTTER ASSY			2					
12	1	114771-11250	SUPPORT CAM,ARM			1					
13	2	114771-11260	SUPPORT, ROCKER ARM			1					
14	2	114771-11650	ARM ASSY, INTAKE			1					
16	3	114250-11240	SCREW, VALVE ADJUST.			1					
17	3	26856-060002	LOCK NUT 6			1					
18	2	114771-11660	ARM ASSY, EXHAUST			1					
20	3	114250-11240	SCREW, VALVE ADJUST.			1					
21	3	26856-060002	LOCK NUT 6			1					
22	2	22242-000120	CIRCLIP 12			2					
23	1	114350-11340	SEAL, VALVE STEM			2					
24	1	105010-11490	CAP, VALVE			2					
25	1	114771-11461	GASKET, NOZZLE			1					
26	1	114771-11470	SPACER, NOZZLE			1					
27	1	114250-11600	WASHER			2					
28	1	114250-11901	RETAINER			1					
29	1	22351-040008	SPRING PIN 4X 8			1					
30	1	26106-060452	BOLT M 6X 45 PLATED			2					
31	1	26226-060552	STUD M6X 55 PLATED			2					
32	1	26366-060002	NUT M 6			2					
33	1	114771-11310	GASKET, BONNET			1					
34	1	114771-11950	BONNET ASSY, HEAD			1					
36	2	114250-03591	SHAFT ASSY, DECOMP.			1					
39	2	114250-03640	SPRING			1					
41	2	22312-030160	PARALLEL PIN 3X16			1					
44	1	26106-060552	BOLT M 6X 55 PLATED			3					

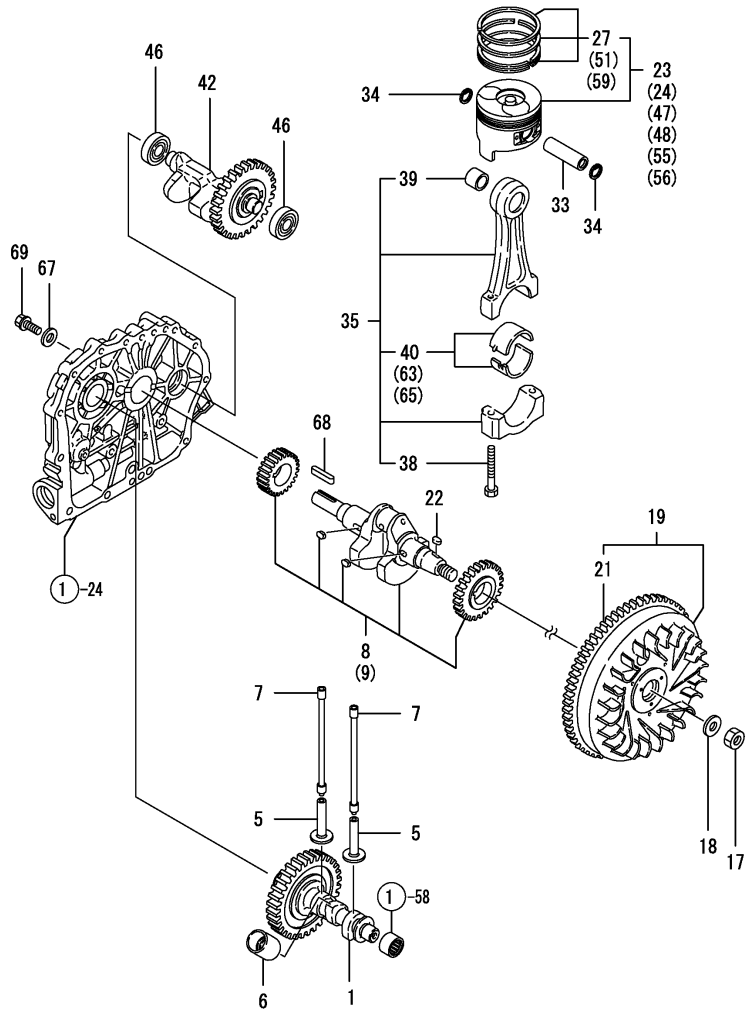
Fig.4. AIR CLEANER & MUFFLER



(A)=L70ADEVK (D)=
 (B)=L70AE-DEVMK (E)=
 (C)=L70EE-DEVMK (F)=

REF.	LEV.	PARTS NO.	DESCRIPTION	Q'TY						I	R
				(A)	(B)	(C)	(D)	(E)	(F)		
1	1	114250-12211	GASKET, AIR CLEANER	1	1	1					
2	1	114288-12511	CLEANER, AIR	1		1					
3	2	114650-07450	LABEL, AIR CLEANER	1		1					
4	2	114288-12520	COVER COMPL.	1		1					
5	2	114288-12532	CASE, AIR CLEANER	1		1					
6	2	114252-12560	WASHER M 8, SEAL	1		1					
7	2	114650-12590	ELEMENT W/PRE-FILTER	1		1					
9	3	114650-12550	PRE-FILTER	1		1					
10	1	114252-12550	WING-NUT, M 8	1		1					
11	1	114250-12300	U-NUT	3	3	3					
12	1	114399-12010	PIPE, AIR INTAKE	1	1	1					
13	1	114350-12202	GASKET, AIR INTAKE	1	1	1					
14	1	26106-060252	BOLT M 6X 25 PLATED	2	2	2					
15	1	26226-060142	STUD M 6X 14 PLATED	1	1	1					
16	1	26226-060552	STUD M6X 55 PLATED	2	2	2					
17	1	114250-13201	GASKET (NON-ASB.)	1	1	1					
18	1	114388-13600	EXHAUST, MUFFLER	1		1					
21	1	26106-060122	BOLT M 6X 12 PLATED	2	2	2					
22	1	26216-080182	STUD M 8X 18 PLATED	2	2	2					
23	1	26306-080002	NUT	2	2	2					
24	1	114288-13800	DEFLECTOR EXH	1	1	1					
25	2	26554-060182	SCREW M 6X 18	1	1	1					
26	2	26367-060002	NUT M 6	1	1	1					
I 27	1	714250-12590	CLEANER ASSY, AIR			1					
29	2	114770-07450	LABEL, AIR CLEANER			1					
I 30	2	114250-12520	COVER, AIR CLEANER			1					
I 31	2	114250-12980	CASE, AIR CLEANER			1					
I 32	2	114250-12581	ELEMENT, WET AIR			1					
33	2	114250-12560	WASHER M 6, SEAL			1					
34	2	114250-12550	WING-NUT, M 6			1					
35	1	114870-13551	MUFFLER ASSY			1					

Fig.5. CRANKSHAFT,PISTON & CAMSHAFT

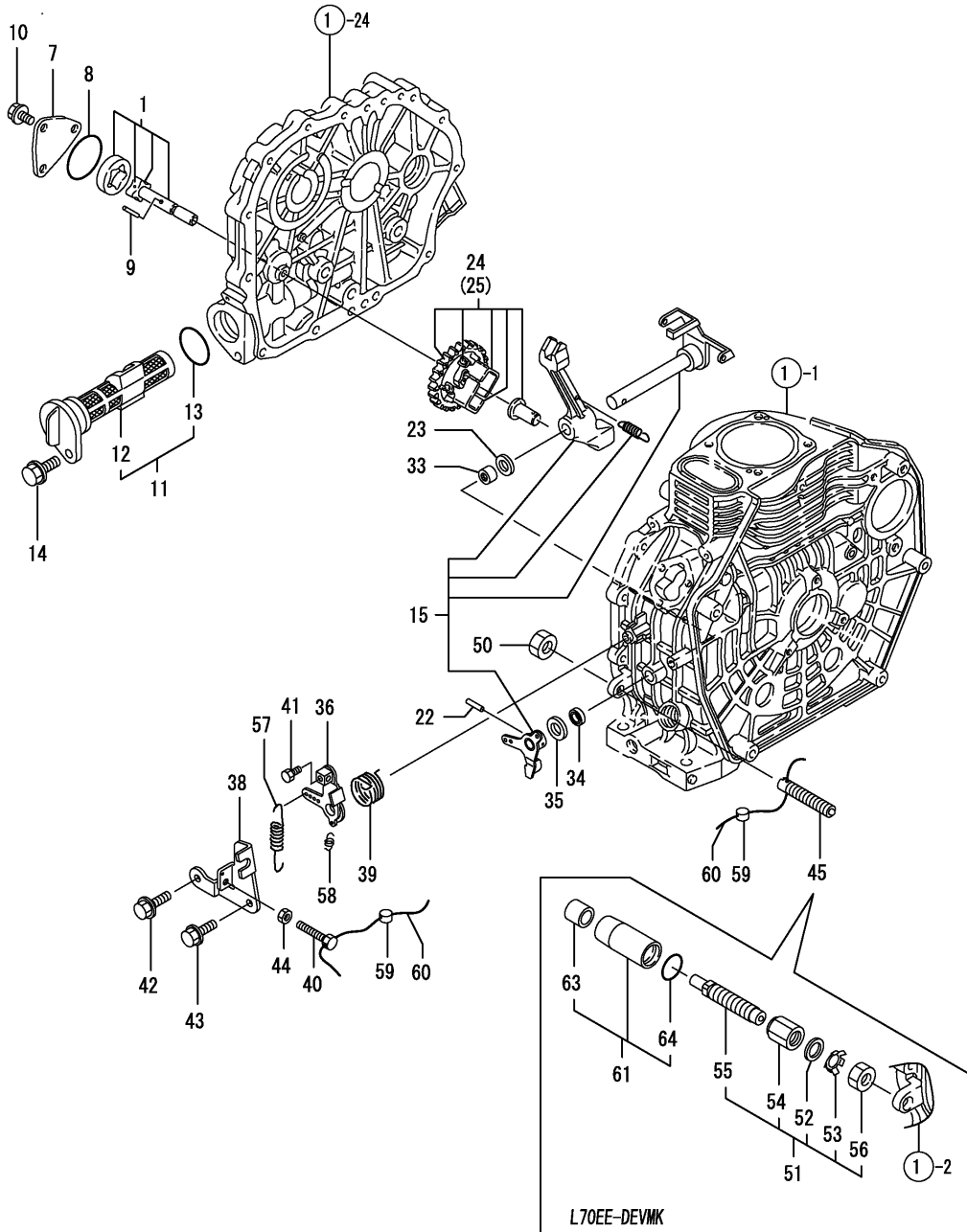


(A)=L70ADEV MK (D)=
(B)=L70AE-DEV MK (E)=
(C)=L70EE-DEV MK (F)=

REF.	LEV.	PARTS NO.	DESCRIPTION	Q'TY						I	R
				(A)	(B)	(C)	(D)	(E)	(F)		
1	1	714880-14580	CAMSHAFT (D) ASSY	1	1	1					
5	1	114250-14200	TAPPET	2	2	2					
6	1	114771-14260	TAPPET,F.O.	1	1	1					
7	1	114350-14451	ROD, PUSH	2	2	2					
8	1	714360-21721	CRANKSHAFT ASSY	1	1						
9	1	714873-21730	CRANKSHAFT ASSY				1				
17	1	103854-01221	NUT M16	1	1	1					
18	1	114250-21550	WASHER, FLYWHEEL	1	1	1					
19	1	114399-21590	FLYWHEEL ASSY, DE	1	1	1					
21	2	114362-21600	GEAR, RING	1	1	1					
22	1	22512-040120	KEY 4X 12	1	1	1					
23	1	714880-22722	PISTON W/RINGS	1	1						
24	1	714872-22721	PISTON W/RINGS				1				
27	2	714870-22502	RING SET, PISTON	1	1	1					
33	1	114399-22300	PISTON PIN	1	1	1					
34	1	22252-000210	CIRCLIP 21	2	2	2					
35	1	71438G-23701	ROD ASSY, CONNECTING	1	1	1					
38	2	118200-23200	BOLT,ROD	2	2	2					
39	2	114380-23100	BUSH, PISTON PIN	1	1	1					
40	2	714380-23600	BEARING, CRANK PIN	1	1	1					
42	1	714870-28511	SHAFT ASSY,BALANCER	1	1	1					
46	1	24101-062024	BALL BEARING	2	2	2					
47	1	714880-22622	PISTON W/RING OS=.25	1	1						1
48	1	114872-22040	PISTON W/RING,0.25OS				1				1
51	2	714870-22542	RING SET O.S=0.25	1	1	1					1
55	1	714880-22582	PISTON W/RING OS=0.5	1	1						2
56	1	114872-22050	PISTON W/RING,0.50OS				1				2
59	2	714870-22552	RING SET O.S=0.50	1	1	1					2
63	1	714380-23610	BEARING,PIN(U.S=0.25	1	1	1					3
65	1	714380-23620	BEARING,PIN(U.S=0.50	1	1	1					4
67	1	160310-14550	WASHER	1	1	1					
68	1	22512-070360	KEY 7X 36	1	1	1					
69	1	26106-080202	BOLT M 8X 20 PLATED	1	1	1					

Remarks
 (1)OVER-SIZE(O.S=0.25)PART.
 (2)OVER-SIZE(O.S=0.50)PART.
 (3)UNDER-SIZE(U.S=0.25)PART.
 (4)UNDER-SIZE(U.S=0.50)PART.

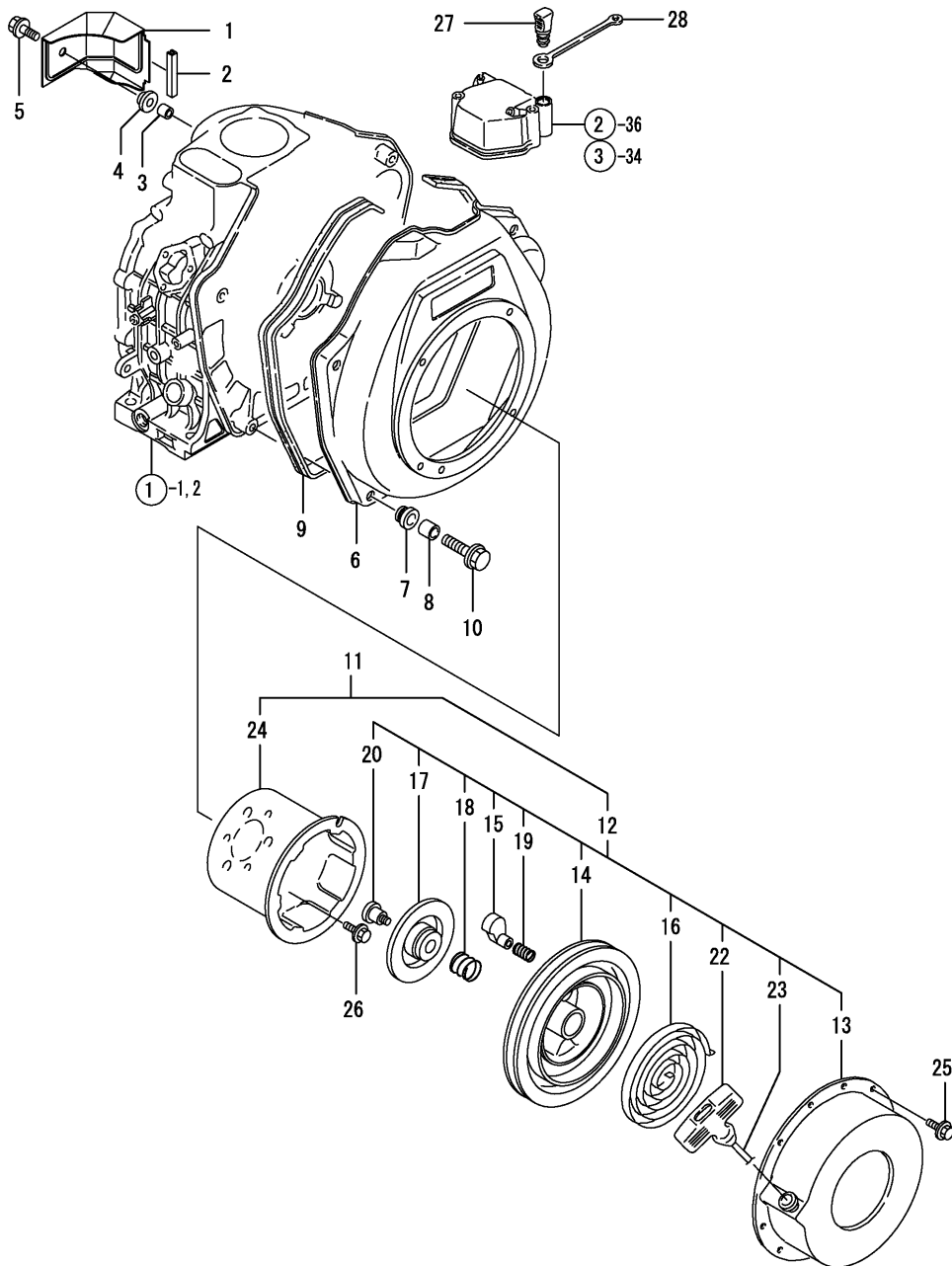
Fig.6. LUB.OIL PUMP & GOVERNOR



(A)=L70ADEV MK (D)=
 (B)=L70AE-DEV MK (E)=
 (C)=L70EE-DEV MK (F)=

REF.	LEV.	PARTS NO.	DESCRIPTION	Q'TY						I	R
				(A)	(B)	(C)	(D)	(E)	(F)		
1	1	114250-32010	PUMP ASSY, LUB.OIL	1	1	1					
7	1	114250-32070	COVER, LUB. OIL PUMP	1	1	1					
8	1	103338-32570	O-RING	1	1	1					
9	1	22312-030160	PARALLEL PIN 3X16	1	1	1					
10	1	26106-060122	BOLT M 6X 12 PLATED	3	3	3					
11	1	114250-35110	STRAINER, LUB OIL	1	1	1					
12	2	114250-35070	STRAINER, LUB. OIL	1	1	1					
13	2	24341-000224	O-RING 1A S-22.4	1	1	1					
14	1	26106-060162	BOLT M 6X 16 PLATED	1	1	1					
15	1	114350-61190	LEVER, GOVERNOR	1	1	1					
22	1	22322-030200	TAPER PIN 3X20	1	1	1					
23	1	114770-61190	WASHER	1	1	1					
24	1	714770-61700	GOVERNOR ASSY	1	1						
25	1	714770-61100	GOVERNOR ASSY						1		
33	1	114770-61520	BEARING, NEEDLE	2	2	2					
34	1	114770-61600	SEAL, OIL	1	1	1					
35	1	114770-61610	WASHER, THRUST	1	1	1					
36	1	114252-66051	HANDLE, REGULATOR	1	1	1					
38	1	183360-66110	BRACKET, REGULATOR	1	1	1					
39	1	114252-66252	SPRING, RETURN	1	1	1					
40	1	114250-66440	BOLT, ADJUSTING	1	1	1					
41	1	105225-66990	SCREW	1	1	1					
42	1	26106-060202	BOLT M 6X 20 PLATED	1	1	1					
43	1	26106-060142	BOLT M 6X 14 PLATED	1	1	1					
44	1	26757-060002	NUT M 6	1	1	1					
45	1	114250-66550	TORQUE SPRING ASSY	1	1						
50	1	26776-100002	LOCK NUT M10 PLATED	1	1						
51	1	114818-61700	LIMITER ASSY, FUEL							1	
52	2	114771-61810	WASHER, PLAIN 14							1	
53	2	114771-61830	PLATE							1	
54	2	114771-61940	NUT							1	
55	2	114818-66600	LIMITER ASSY, FUEL							1	
56	2	114771-66690	NUT M14							1	
57	1	114870-66010	SPRING, REGULATOR	1	1	1					
58	1	114250-66200	SPRING, RETURN	1	1	1					
59	1	135210-61090	LEAD	2	2	1					
60	1	22451-060000	WIRE 0.6	2	2	1					
61	1	114771-61890	PROTECTOR CMP							1	
63	2	114771-61960	SPACER							1	
64	2	24311-000180	O-RING 1A P-18.0							1	

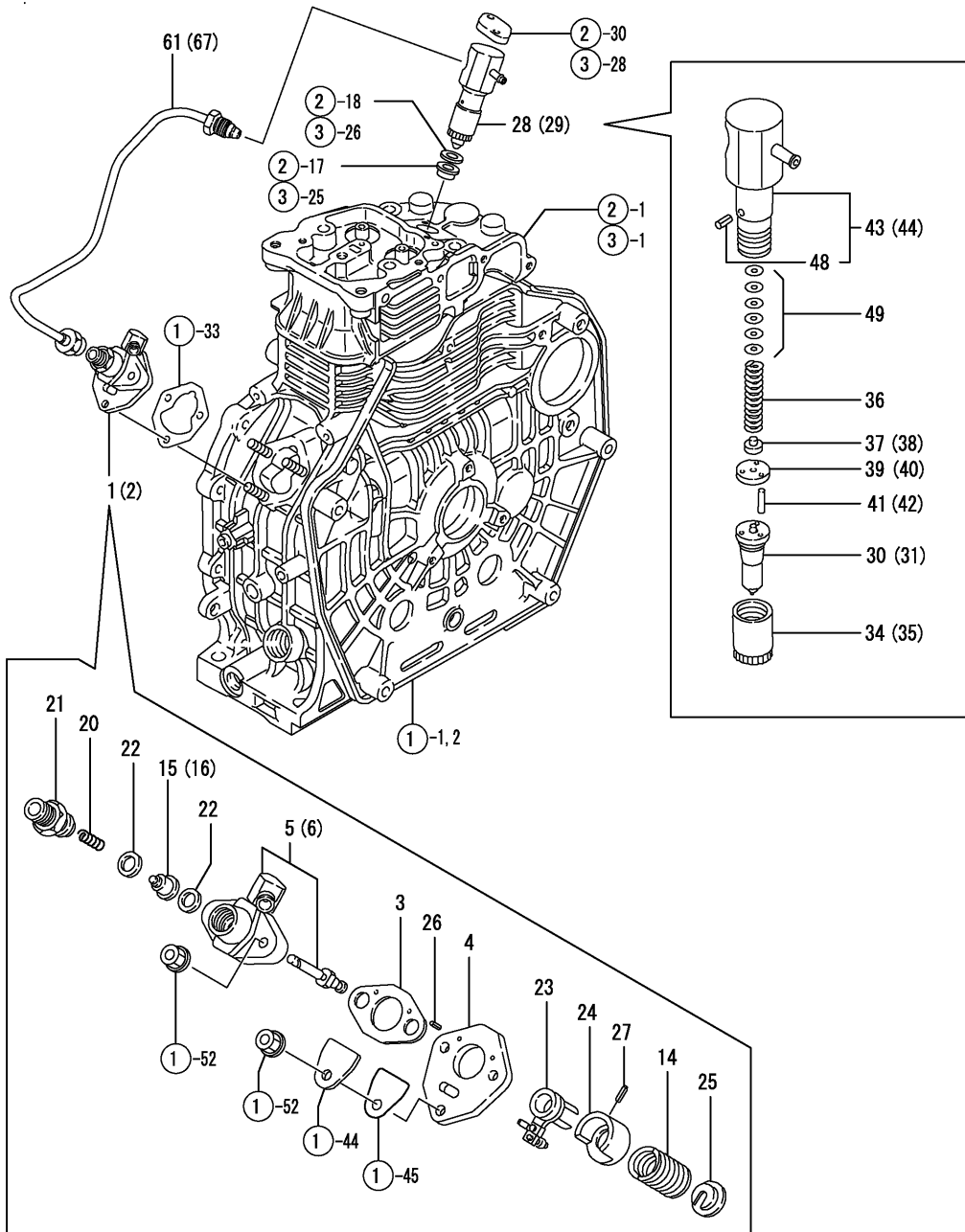
Fig.7. COOLING & STARTING DEVICE



(A)=L70ADEVMK (D)=
 (B)=L70AE-DEVMK (E)=
 (C)=L70EE-DEVMK (F)=

REF.	LEV.	PARTS NO.	DESCRIPTION	Q'TY						I	R
				(A)	(B)	(C)	(D)	(E)	(F)		
1	1	114870-45201	COVER	1	1	1					
2	1	114350-45320	RUBBER, SEAL	1	1	1					
3	1	114350-45340	COLLAR	1	1	1					
4	1	183720-55210	GROMMET	1	1	1					
5	1	26106-060202	BOLT M 6X 20 PLATED	1	1	1					
6	1	114360-45101	CASE,FAN(SILVER)(17)	1	1	1					
7	1	114250-45301	RUBBER, CUSHION	4	4	4					
8	1	114250-45310	COLLAR	4	4	4					
9	1	114250-45330	SEAL, FAN CASE	1	1	1					
10	1	114370-45351	BOLT, FAN CASE	4	4	4					
11	1	114880-76051	STARTER ASSY,RE-COIL	1	1	1					
12	2	114880-76251	RECOIL STARTER(D)ASY	1	1	1					
13	3	114880-76511	CASE (D) W/NO LABEL	1	1	1					
14	3	114880-76520	REEL, RECOIL	1	1	1					
15	3	114870-76530	RATCHET	2	2	2					
16	3	114870-76540	SPRING, SPIRAL	1	1	1					
17	3	114880-76550	GUIDE, RATCHET	1	1	1					
18	3	114870-76560	SPRING, FRICTION	1	1	1					
19	3	114870-76570	SPRING, RETURN	2	2	2					
20	3	114870-76580	SET SCREW	1	1	1					
22	3	114870-76620	KNOB, STARTER	1	1	1					
23	3	114870-76630	ROPE, STARTER	1	1	1					
24	2	114350-76591	PULLEY, STARTER	1	1	1					
25	1	26106-060082	BOLT M 6X 8 PLATED	4	4	4					
26	1	26106-060122	BOLT M 6X 12 PLATED	3	3	3					
27	1	114250-76600	PLUNGER	1	1	1					
28	1	114250-76610	HOLDER, PLUNGER	1	1	1					

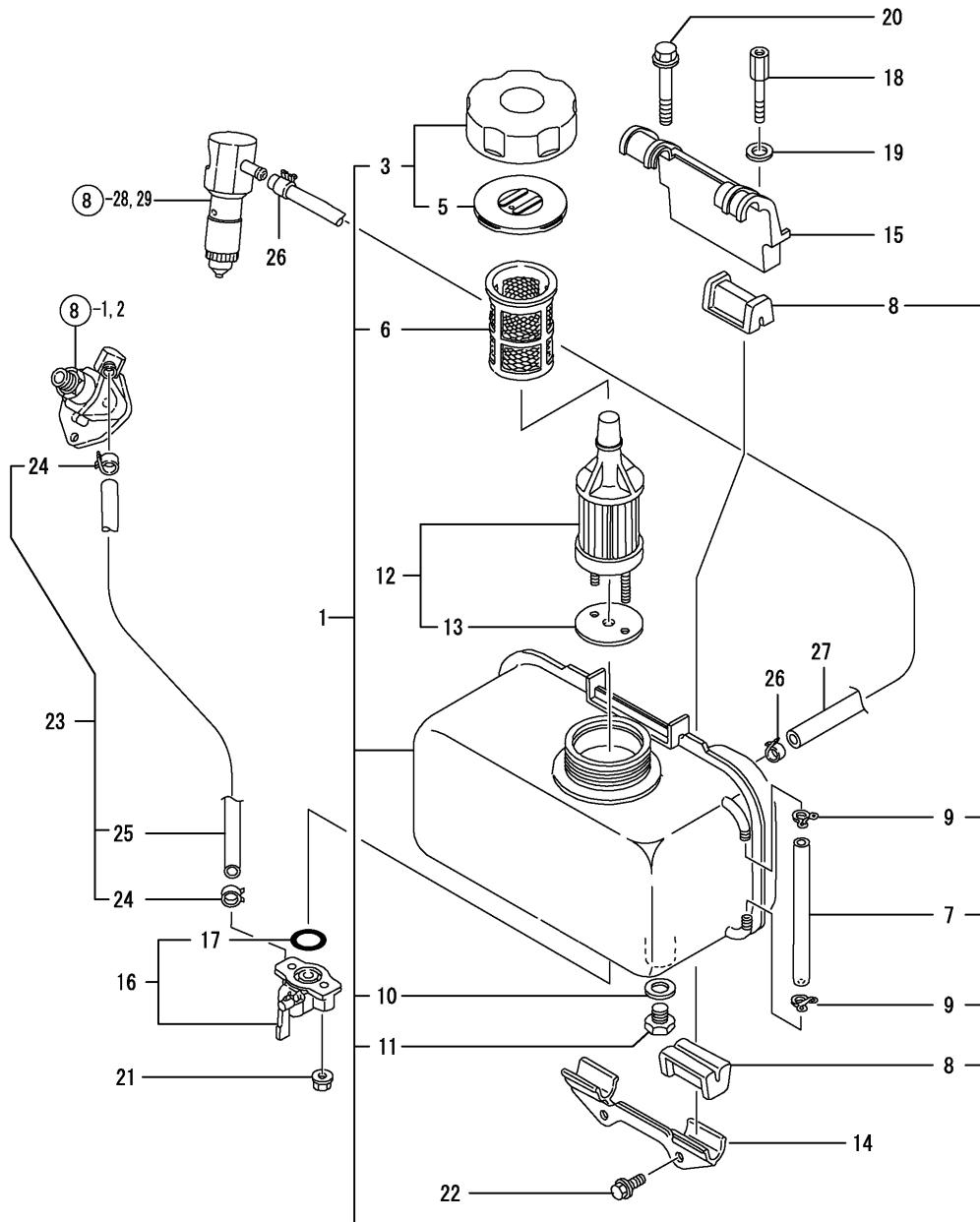
Fig.8. FUEL INJECTION PUMP



(A)=L70ADEV MK (D)=
 (B)=L70AE-DEV MK (E)=
 (C)=L70EE-DEV MK (F)=

REF.	LEV.	PARTS NO.	DESCRIPTION	Q'TY						I	R
				(A)	(B)	(C)	(D)	(E)	(F)		
1	1	714870-51100	PUMP ASSY, F.INJECT.	1	1						
2	1	714875-51100	PUMP ASSY, F.INJECT.				1				
3	2	105546-51020	GASKET		1	1	1				
4	2	114250-51080	PLATE	1	1	1					
5	2	114350-51200	BODY, F.I. PUMP	1	1						
6	2	114650-51100	BODY, F.I. PUMP				1				
14	2	114250-51160	SPRING	1	1	1					
15	2	114250-51300	VALVE ASSY, DELIVERY	1	1						
16	2	114650-51300	VALVE ASSY, DELIVERY				1				
20	2	105546-51330	SPRING, DELIV. VALVE	1	1	1					
21	2	114250-51340	HOLDER, F.I.P.DELIVE	1	1	1					
22	2	124550-51350	GASKET, DELIVERY	2	2	2					
23	2	114250-51600	LEVER ASSY, CONTROL	1	1	1					
24	2	114250-51640	SEAT (A), SPRING	1	1	1					
25	2	114250-51650	SEAT (B), SPRING	1	1	1					
26	2	22351-020006	SPRING PIN 2X 6	2	2	2					
27	2	22351-030008	SPRING PIN 3X 8	1	1	1					
28	1	714870-53200	VALVE ASSY, F.INJECT	1	1						
29	1	714875-53102	VALVE ASSY, F.INJECT				1				
30	2	114870-53100	NOZZLE ASSY,F.INJECT	1	1						
31	2	114871-53001	NOZZLE ASSY				1				
34	2	114250-53080	NUT, NOZZLE CASE	1	1						
35	2	119593-53080	NUT,NOZZLE CASE						1		
36	2	114250-53120	SPRING, NOZZLE	1	1	1					
37	2	114250-53130	SEAT, NOZZLE SPRING	1	1						
38	2	119593-53130	RETAINER,SPRING				1				
39	2	114250-53140	PLATE, STOP	1	1						
40	2	114775-53140	SPACER,VALVE STOP						1		
41	2	114250-53210	PIN	2	2						
42	2	114775-53210	PIN						2		
43	2	114250-53300	HOLDER ASSY, NOZZLE	1	1						
44	2	114875-53100	HOLDER ASSY						1		
48	3	114250-53331	PIN, SPRING	1	1	1					
49	2	114250-53400	SHIM PACK	1	1	1					
61	1	114350-59800	PIPE, FUEL INJECTION	1	1						
67	1	114871-59804	PIPE, FUEL INJECTION						1		

Fig.9. FUEL TANK & FUEL LINE

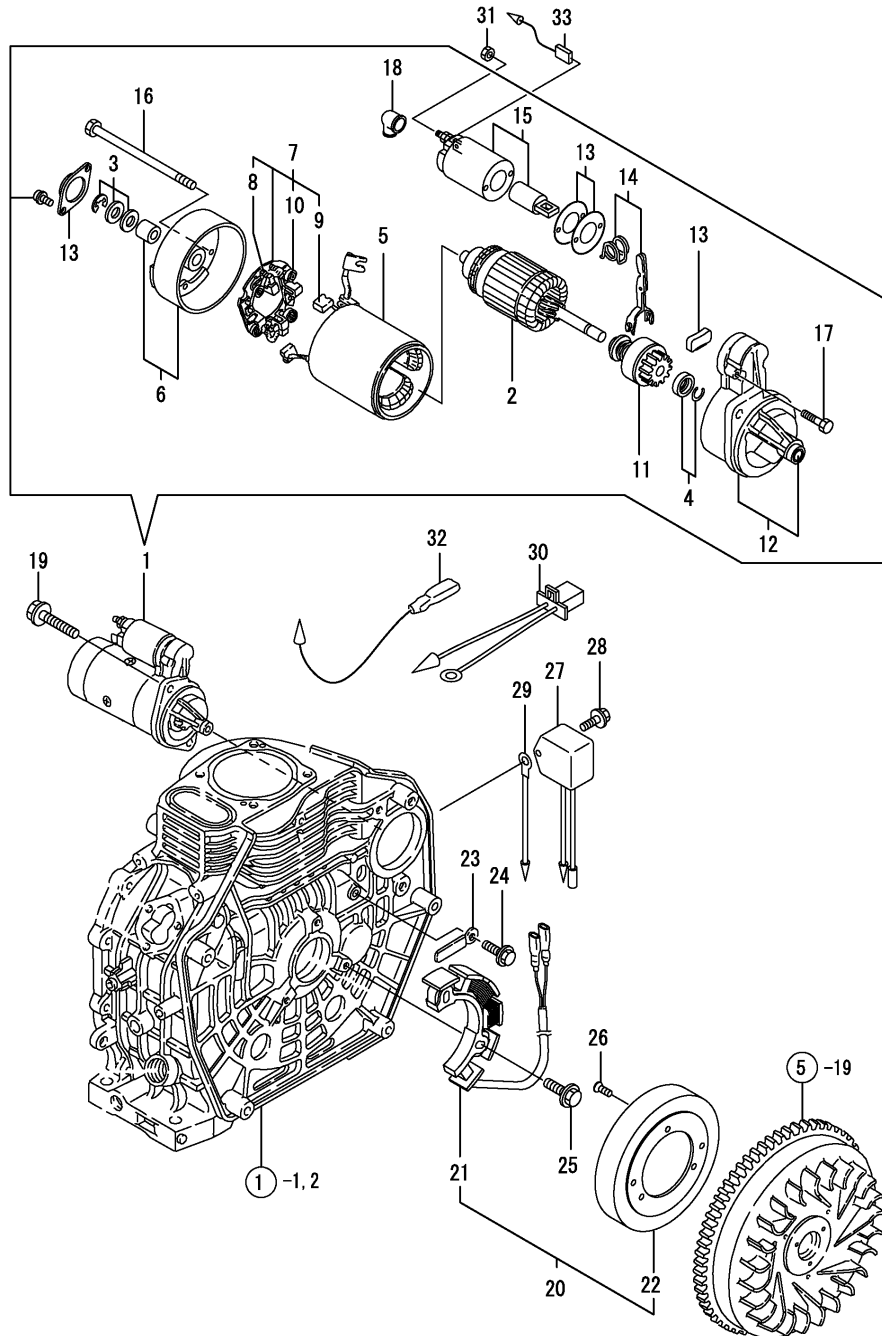


(A)=L70ADEV MK (D)=
 (B)=L70AE-DEV MK (E)=
 (C)=L70EE-DEV MK (F)=

REF.	LEV.	PARTS NO.	DESCRIPTION	Q'TY						I	R
				(A)	(B)	(C)	(D)	(E)	(F)		
1	1	714350-55711	TANK,FUEL (RED)(50)	1	1	1					
3	2	114288-55041	CAP ASSY, FUEL TANK	1	1	1					
5	3	114288-55081	VALVE	1	1	1					
6	2	114250-55100	FILTER, FUEL	1	1	1					
7	2	114350-55150	PIPE, GAUGE	1	1	1					
8	2	114250-55201	DAMPER, FUEL TANK	4	4	4					
9	2	103854-55220	CLAMP	2	2	2					
10	2	23414-080000	GASKET 8, ROUND	1	1	1					
11	2	105300-55080	PLUG, DRAIN	1	1	1					
12	1	114250-55121	FILTER, FUEL OIL	1	1	1					
13	2	114250-55130	GASKET	1	1	1					
14	1	114299-55210	STAY	1	1	1					
15	1	114399-55230	STAY (B)	1	1	1					
16	1	114250-55301	COCK	1	1	1					
17	2	24341-000150	O-RING 1A S-15.0	1	1	1					
18	1	114650-55810	BOLT, LIFTING	1	1	1					
19	1	22117-080000	WASHER 8	1	1	1					
20	1	26106-080452	BOLT M 8X 45 PLATED	1	1	1					
21	1	26366-060002	NUT M 6	2	2	2					
22	1	26476-060142	BOLT M 6X 14,TAPPING	2	2	2					
23	1	114770-59030	PIPE ASSY, FUEL OIL	1	1	1					
24	2	114270-59010	CLIP,HOSE	2	2	2					
25	2	114268-59061	PIPE, FUEL OIL	1	1	1					
26	1	124722-59050	CLAMP 9	2	2	2					
27	1	114250-59060	PIPE, FUEL RETURN	1	1	1					

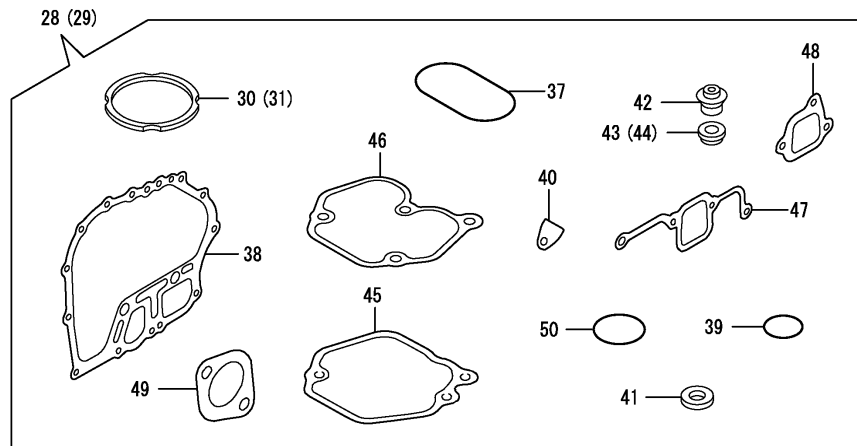
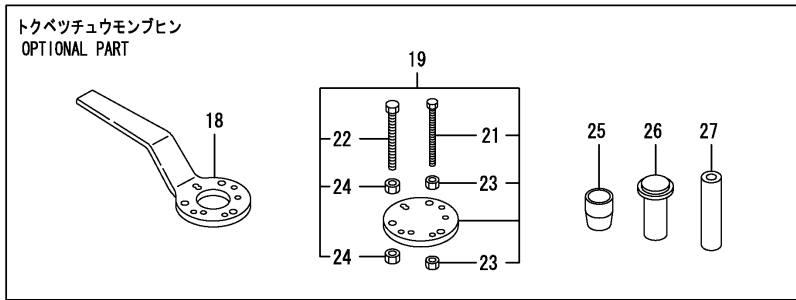
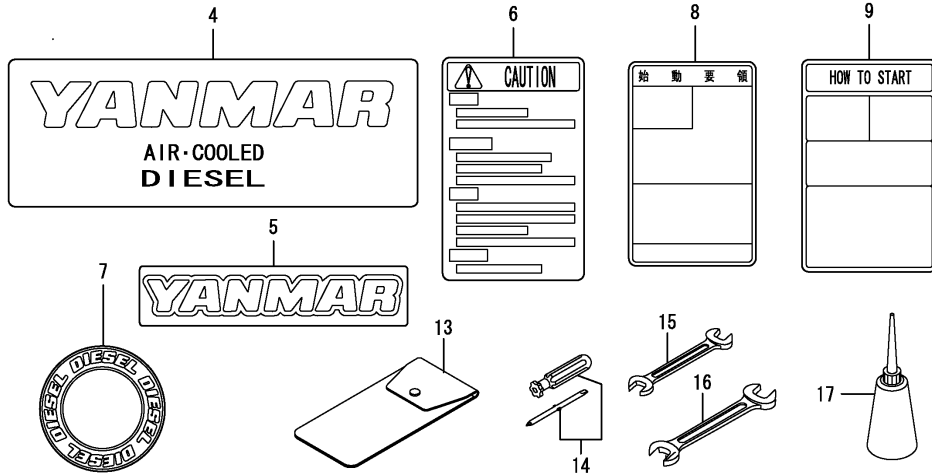
Fig.10. STARTING MOTOR & DYNAMO

(A)=L70ADEVMK (D)=
 (B)=L70AE-DEVVK (E)=
 (C)=L70EE-DEVVK (F)=



REF.	LEV.	PARTS NO.	DESCRIPTION	Q'TY						I	R
				(A)	(B)	(C)	(D)	(E)	(F)		
1	1	114362-77011	STARTER(S114-651A)	1	1	1					
2	2	114381-77110	ARMATURE	1	1	1					
3	2	X2114811000	WASHER KIT, THRUST	1	1	1					
4	2	X2114715500	STOPPER SET, PINION	1	1	1					
5	2	114381-77130	COIL ASSY, FIELD	1	1	1					
6	2	114381-77140	COVER, REAR	1	1	1					
7	2	114371-77160	HOLDER ASSY, BRUSH	1	1	1					
8	3	114371-79040	BRUSH (-)	2	2	2					
9	3	114371-79050	BRUSH (+)	1	1	1					
10	3	114371-79060	SPRING, BRUSH	4	4	4					
11	2	X211485016	PINION ASSY	1	1	1					
12	2	114381-77151	HOUSING ASSY, GEAR	1	1	1					
13	2	114371-77170	COVER KIT, DUST	1	1	1					
14	2	114371-77180	SHIFT LEVER KIT	1	1	1					
15	2	124298-77020	SWITCH, MAGNET	1	1	1					
16	2	124195-77770	THROUGH BOLT	2	2	2					
17	2	114371-79070	BOLT M 6X 37	2	2	2					
18	2	X2114274200	COVER, TERMINAL	1	1	1					
19	1	26106-100302	BOLT M10X 30 PLATED	2	2	2					
20	1	114351-78251	DYNAMO ASSY	1	1	1					
21	2	114351-78751	STATOR ASSY	1	1	1					
22	2	114351-78761	WHEEL, DYNAMO	1	1	1					
23	1	160710-78710	CLAMP, CORD	1	1	1					
24	1	26106-060122	BOLT M 6X 12 PLATED	1	1	1					
25	1	26106-060202	BOLT M 6X 20 PLATED	3	3	3					
26	1	26577-060142	SCREW M 6X 14	3	3	3					
27	1	160970-77350	RECTIFIER	1	1	1					
28	1	26106-060122	BOLT M 6X 12 PLATED	1	1	1					
29	1	183350-77400	WIRE, LEAD	1	1	1					
30	1	105198-78570	HARNESS(C), WIRE	1	1	1					
31	1	26716-080002	NUT M 8	1	1	1					
32	1	160671-78200	WIRE, LEAD	1	1	1					
33	1	114685-78560	WIRE HARNESS	1	1	1					

Fig.11. TOOL,LABEL & GASKET SET



Remarks
(1) OPTIONAL PART.

(A)=L70ADEVMK (D)=
(B)=L70AE-DEVVK (E)=
(C)=L70EE-DEVVK (F)=

REF.	LEV.	PARTS NO.	DESCRIPTION	Q'TY						I	R
				(A)	(B)	(C)	(D)	(E)	(F)		
4	1	114250-07090	LABEL, AIR COOLED	1	1	1					
5	1	114250-07111	LABEL, YANMAR	1	1	1					
6	1	114268-07240	LABEL, CAUTION			1	1				
7	1	114261-07350	LABEL	1	1	1					
8	1	114250-07250	LABEL, HOW TO START	1							
9	1	114268-07350	LABEL, HOW TO START			1	1				
13	1	114250-92600	BAG, TOOL	1	1	1					
14	1	160330-92730	SCREWDRIVER (+)	1	1	1					
15	1	28110-100120	WRENCH 10X12	1	1	1					
16	1	28110-140170	WRENCH 14X17	1	1	1					
17	1	28210-000150	FEEDER, OIL	1	1	1					
18	1	114250-92101	F.W. LOCKING HANDLE	1	1	1					1
19	1	114250-92130	REMOVER, FLYWHEEL	1	1	1					1
21	2	26116-060454	BOLT M 6X 45 PLATED	4	4	4					1
22	2	26116-080454	BOLT M 8X 45 PLATED	3	3	3					1
23	2	26716-060002	NUT 6	8	8	8					1
24	2	26716-080002	NUT M 8	6	6	6					1
25	1	114350-92301	GUIDE, OIL SEAL	1	1	1					1
26	1	114350-92311	INSTALLING TOOL	1	1	1					1
27	1	114350-92350	INSTALLING TOOL	1	1	1					1
28	1	714888-92601	GASKET SET	1	1						1
29	1	714871-92600	GASKET SET						1		1
30	2	114870-01340	GASKET, CYL. HEAD	1	1						
31	2	114871-01330	GASKET,CYL. HEAD CMP						1		
37	2	114350-01380	O-RING	1	1	1					
38	2	114350-01412	GASKET, CRANK CASE	1	1	1					
39	2	114299-01950	O-RING	2	2	2					
40	2	114250-01841	GASKET	1	1	1					
41	2	22190-160002	SEAL WASHER 16S	2	2	2					
42	2	114350-11340	SEAL, VALVE STEM	2	2	2					
43	2	114250-11460	GASKET, NOZZLE	1	1						
44	2	114771-11461	GASKET, NOZZLE						1		
45	2	114250-11311	GASKET, BONNET	1	1						
46	2	114771-11310	GASKET, BONNET							1	
47	2	114350-12202	GASKET, AIR INTAKE	1	1	1					
48	2	114250-12211	GASKET, AIR CLEANER	1	1	1					
49	2	114250-13201	GASKET (NON-ASB.)	1	1	1					
50	2	103338-32570	O-RING	1	1	1					

Fig.12. SAFETY LABEL

(A)=L70ADEV MK (D)=
 (B)=L70AE-DEV MK (E)=
 (C)=L70EE-DEV MK (F)=



※貼付位置は取扱説明書を参照ください。

REF.	LEV.	PARTS NO.	DESCRIPTION	Q'TY						I	R
				(A)	(B)	(C)	(D)	(E)	(F)		
1	1	1D1831-91200	DANGER,NO FIRE	1							
2	1	1A2260-87100	WARNING,EXH.GAS	1							