



# PARTS CATALOG

Published

2008/7 (Jul.)

---

0CR10-G55200

# はじめに

1. 本パーツカタログは、L90AE-DYC, L90AE-DEYC, L90AE-DEGYC, L90AE-DGYC形を掲載した新作版です。

	パーツカタログNo.	発行年月	備考
初版	000Y00R5520	2002年12月	

2. 本パーツカタログは、整備要領などを示した技術資料ではありません。
3. 本パーツカタログのイラストは、一部簡略化したものを使用しています。
4. 本パーツカタログの記載内容は、予告なく変更することがありますのでご了承ください。
5. ヤンマー製品の整備には、必ず『ヤンマー純正部品』をご使用ください。  
市販の類似品を使用して修理されますと、早期破損などの原因となりますのでご注意ください。

# Introduction

1. This parts catalog is a first edition of the L90AE-DYC, L90AE-DEYC, L90AE-DEGYC, L90AE-DGYC Diesel engine.

	Parts catalog No.	Date of issue	Remarks
First edition	000Y00R5520	Dec., 2002	

2. This parts catalog dose not contain the technical data needed for maintenance service.
3. The illustrations used in this parts catalog have been simplified for clarity.
4. The contents of this parts catalog are subject to change without notice.
5. Be sure to use only Yanmar genuine part for repairs. If imitation parts are used, it may cause engine defects.

# CONTENTS

MODEL : L90AE-D(E)(G)YC

PC NO : 0CR10-G55200

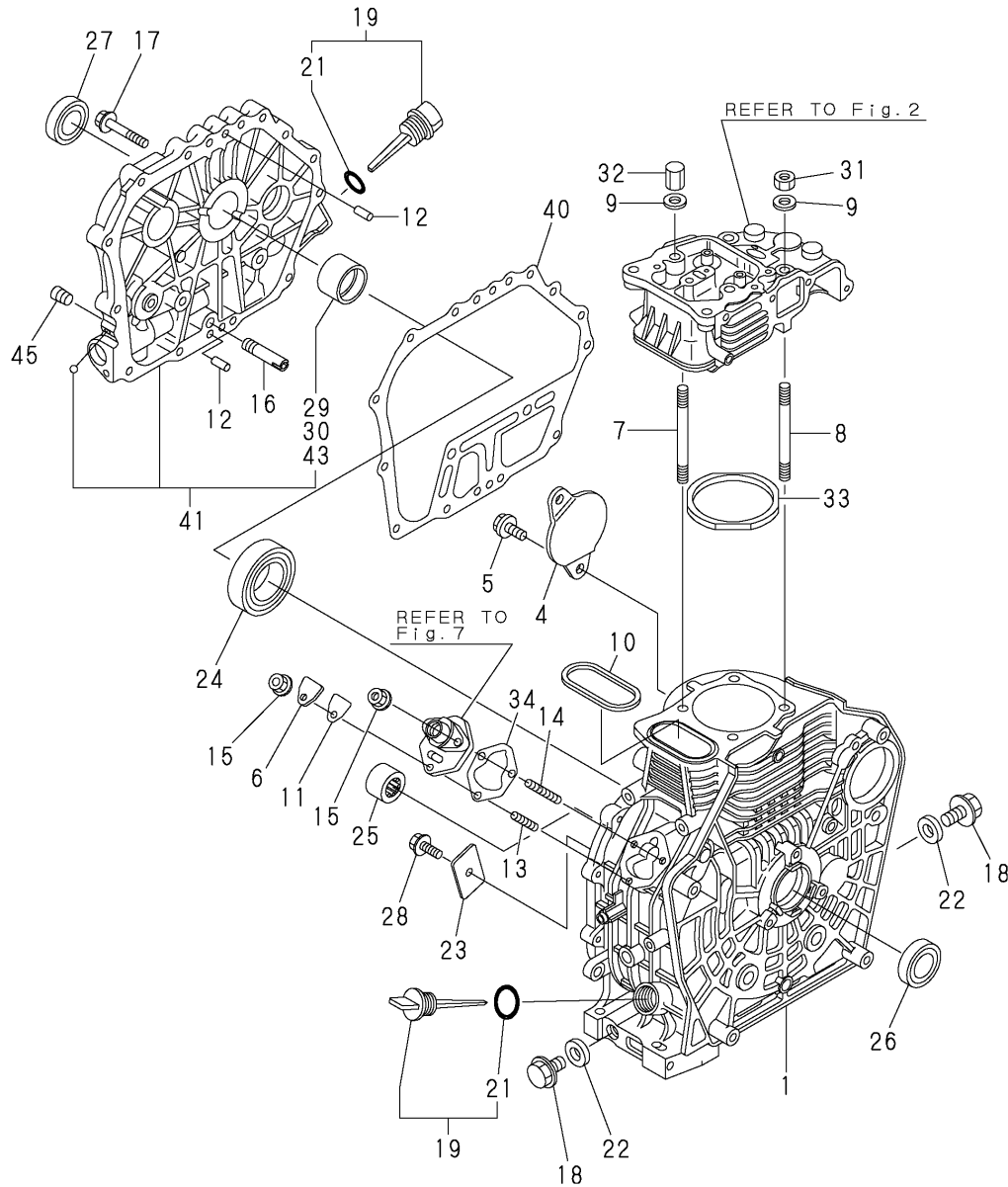
Fig.No. GROUP NAME

L90AE-D(E)(G)YC

1. CYLINDER BLOCK
2. CYLINDER HEAD & BONNET
3. AIR CLEANER & MUFFLER
4. CRANKSHAFT,PISTON & CAMSHAFT
5. LUB.OIL PUMP & GOVERNOR
6. COOLING & STARTING DEVICE
7. FUEL INJECTION PUMP
8. FUEL TANK & FUEL PIPE
9. STARTING MOTOR
10. TOOL,LABEL & GASKET SET

Fig.No. GROUP NAME

Fig.1. CYLINDER BLOCK

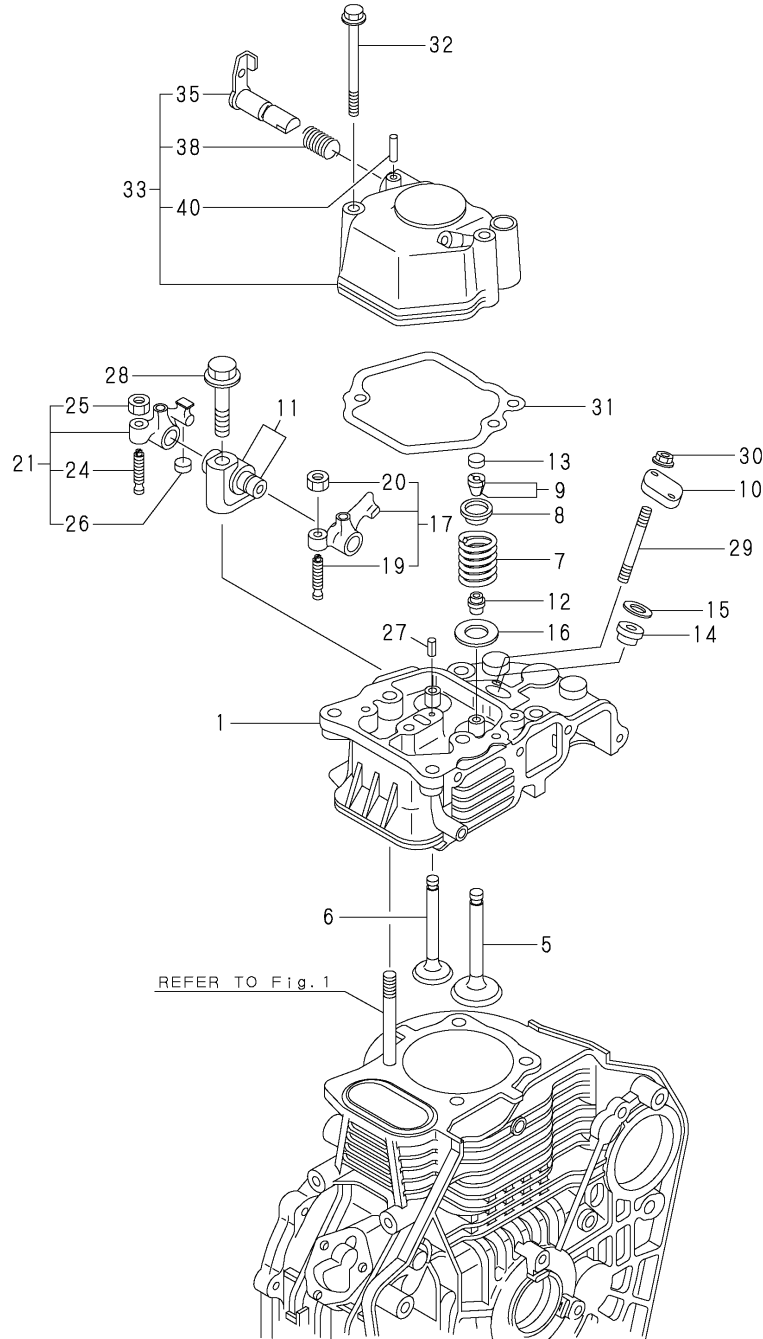


Remarks  
 (1)REPAIR PART.  
 (2)UNDER SIZED(U.S.=0.25)PART.  
 (3)UNDER SIZED(U.S.=0.50)PART.

(A)=L90AE-DYC (D)=L90AE-DGYC  
 (B)=L90AE-DEYC (E)=  
 (C)=L90AE-DEGYC (F)=

REF.	LEV.	PARTS NO.	DESCRIPTION	QTY						I	R
				(A)	(B)	(C)	(D)	(E)	(F)		
1	1	114671-01012	BLOCK ASSY, CYLINDER	1	1	1	1				
4	1	114399-01700	COVER, STARTER	1			1				
5	1	26106-100122	BOLT M10X 12 PLATED	2			2				
6	1	114299-01830	COVER,(FO PUMP	1	1	1	1				
7	1	114699-01200	STUD, CYL. HEAD	2	2	2	2				
8	1	114650-01240	STUD, CYL. HEAD	2	2	2	2				
9	1	114699-01250	WASHER, HEAD BOLT	4	4	4	4				
10	1	114699-01380	O-RING, TAPPET	1	1	1	1				
11	1	114299-01840	GASKET, FUEL PUMP	1	1	1	1				
12	1	114270-01600	PARALLEL PIN 8X12	2	2	2	2				
13	1	26226-060182	STUD M 6X 18 PLATED	1	1	1	1				
14	1	26226-060222	STUD M 6X 22 PLATED	2	2	2	2				
15	1	26366-060002	NUT M 6	3	3	3	3				
16	1	114299-35150	PIPE, L.O. INLET	1	1	1	1				
17	1	26106-080352	BOLT M 8X 35 PLATED	16	16	16	16				
18	1	105425-01690	PLUG M16	2	2	2	2				
19	1	114699-01760	CAP, W/LUB.OIL GAUGE	2	2	2	2				
21	2	114299-01950	O-RING	2	2	2	2				
22	1	22190-160002	SEAL WASHER 16S	2	2	2	2				
23	1	114299-02030	RETAINER	1	1	1	1				
24	1	114650-02150	BALL BEARING	1	1	1	1				
25	1	24162-152112	NEEDLE BEARING	1	1	1	1				
26	1	24423-355008	SEAL, OIL	1	1	1	1				
27	1	24423-355008	SEAL, OIL	1	1	1	1				
28	1	26106-080122	BOLT M 8X 12 PLATED	1	1	1	1				
29	1	114650-02200	MAIN BEARING US=0.25	1	1	1	1				2
30	1	114650-02210	MAIN BEARING US=0.50	1	1	1	1				3
31	1	114699-01220	HEAD NUT(A	2	2	2	2				
32	1	114699-01230	HEAD NUT(B	2	2	2	2				
33	1	114699-01340	GASKET, CYL.HEAD	1	1	1	1				
34	1	114299-01800	SHIM SET	1	1	1	1				
40	1	114699-01410	GASKET, CRANK CASE	1	1	1	1				
41	1	114699-01450	COVER ASSY, CASE D	1	1	1	1				
43	2	114650-02100	BEARING, MAIN	1	1	1	1				1
45	1	23876-010000	PLUG, R01	1	1	1	1				

Fig.2. CYLINDER HEAD & BONNET

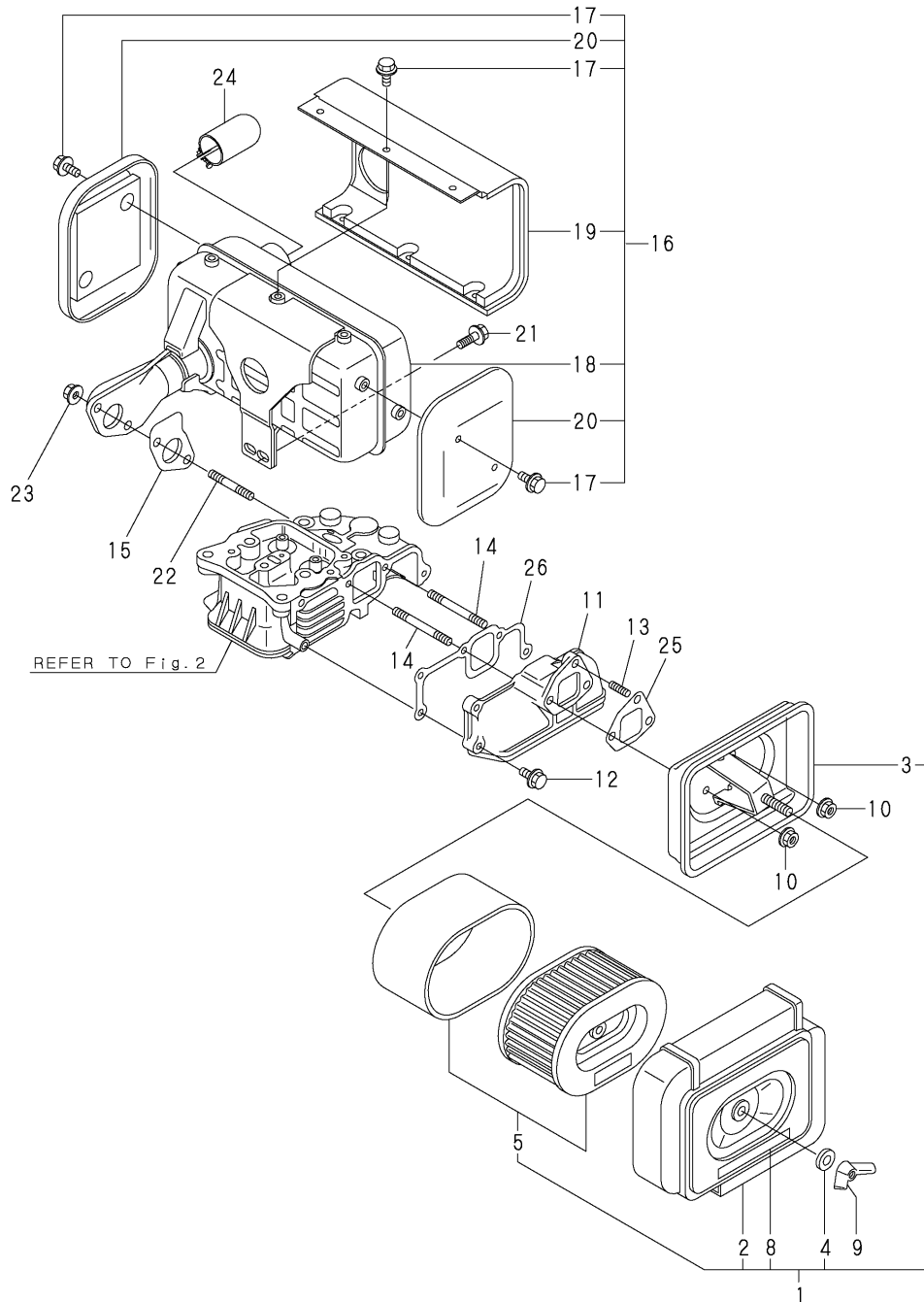


OCR10-G55200 2. CYLINDER HEAD & BONNET

(A)=L90AE-DYC (D)=L90AE-DGYC  
 (B)=L90AE-DEYC (E)=  
 (C)=L90AE-DEGYC (F)=

REF.	LEV.	PARTS NO.	DESCRIPTION	Q'TY						I	R
				(A)	(B)	(C)	(D)	(E)	(F)		
1	1	114650-11011	HEAD ASSY, CYLINDER	1	1	1	1				
5	1	114650-11100	VALVE, INTAKE	1	1	1	1				
6	1	114654-11110	VALVE, EXHAUST	1	1	1	1				
7	1	114699-11120	SPRING, VALVE	2	2	2	2				
8	1	119620-11180	RETAINER, SPRING	2	2	2	2				
9	1	27310-070001	COTTER ASSY	2	2	2	2				
10	1	114299-11901	RETAINER, NOZZLE	1	1	1	1				
11	1	114650-11261	SUPPORT, ROCKER ARM	1	1	1	1				
12	1	114650-11340	SEAL, VALVE STEM	2	2	2	2				
13	1	104211-11370	CAP, VALVE	1	1	1	1				
14	1	114250-11460	GASKET, NOZZLE	1	1	1	1				
15	1	114350-11470	SPACER, NOZZLE	1	1	1	1				
16	1	114699-11600	WASHER, VALVE SPRING	2	2	2	2				
17	1	114650-11652	ARM ASSY, INTAKE	1	1	1	1				
19	2	114250-11240	SCREW, VALVE ADJUST.	1	1	1	1				
20	2	26856-060002	LOCK NUT 6	1	1	1	1				
21	1	714670-11660	ARM ASSY, EXHAUST	1	1	1	1				
24	3	114250-11240	SCREW, VALVE ADJUST.	1	1	1	1				
25	3	26856-060002	LOCK NUT 6	1	1	1	1				
26	2	104211-11370	CAP, VALVE	1	1	1	1				
27	1	22351-040008	SPRING PIN 4X 8	1	1	1	1				
28	1	26106-100552	BOLT M10X 55 PLATED	1	1	1	1				
29	1	26226-060502	STUD M 6X 50	2	2	2	2				
30	1	26366-060002	NUT M 6	2	2	2	2				
31	1	114699-11320	GASKET, BONNET	1	1	1	1				
32	1	26106-060702	BOLT M 6X 70 PLATED	2	2	2	2				
33	1	114699-11950	BONNET ASSY, HEAD	1	1	1	1				
35	2	114250-03591	SHAFT ASSY, DECOMP.	1	1	1	1				
38	2	114250-03640	SPRING	1	1	1	1				
40	2	22312-030160	PARALLEL PIN 3X16	1	1	1	1				

Fig.3. AIR CLEANER & MUFFLER



OCR10-G55200 3. AIR CLEANER & MUFFLER

(A)=L90AE-DYC (D)=L90AE-DGYC  
 (B)=L90AE-DEYC (E)=  
 (C)=L90AE-DEGYC (F)=

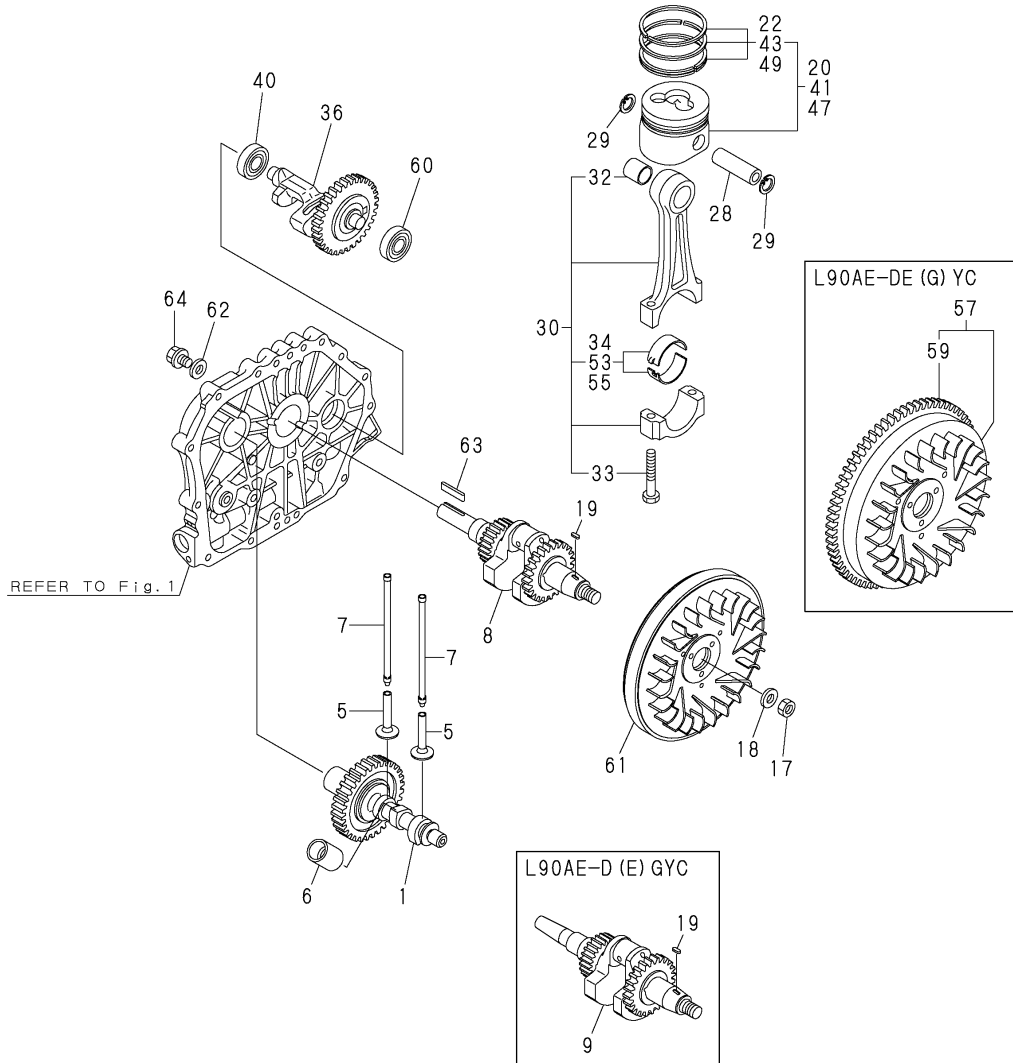
REF.	LEV.	PARTS NO.	DESCRIPTION	Q'TY						I	R
				(A)	(B)	(C)	(D)	(E)	(F)		
1	1	114650-12511	CLEANER ASSY, AIR	1	1	1	1				
2	2	114650-12520	COVER, AIR CLEANER	1	1	1	1				
3	2	114650-12531	CASE ASSY, CLEANER	1	1	1	1				
4	2	114252-12560	WASHER M 8, SEAL	1	1	1	1				
5	2	114650-12591	ELEMENT ASSY	1	1	1	1				
8	2	114650-07450	LABEL, AIR CLEANER	1	1	1	1				
9	1	114252-12550	WING-NUT, M 8	1	1	1	1				
10	1	114250-12300	U-NUT	3	3	3	3				
11	1	114699-12020	PIPE, AIR INTAKE	1	1	1	1				
12	1	26106-060252	BOLT M 6X 25 PLATED	3	3	3	3				
13	1	26226-060142	STUD M 6X 14 PLATED	1	1	1	1				
14	1	26226-060752	STUD M 6X 75	2	2	2	2				
15	1	114699-13200	GASKET, MUFFLER	1	1	1	1				
16	1	114970-13551	MUFFLER ASSY	1	1	1	1				
17	2	160260-01580	BOLT M 6X 6	10	10	10	10				
18	2	114970-13561	MUFFLER	1	1	1	1				
19	2	114970-13700	COVER(A), MUFFLER	1	1	1	1				
20	2	114970-13710	COVER, MUFFLER	2	2	2	2				
21	1	26106-080182	BOLT M 8X 18 PLATED	2	2	2	2				
22	1	26216-080182	STUD M 8X 18 PLATED	2	2	2	2				
23	1	26306-080002	NUT M 8	2	2	2	2				
24	1	114699-13800	EXTENSION, EXH.	1	1	1	1				
25	1	114699-12210	GASKET, AIR CLEANER	1	1	1	1				
26	1	114699-12200	GASKET, INTAKE	1	1	1	1				

Fig.4. CRANKSHAFT,PISTON & CAMSHAFT

OCR10-G55200 4. CRANKSHAFT,PISTON & CAMSHAFT

(A)=L90AE-DYC  
(B)=L90AE-DEYC  
(C)=L90AE-DEGYC

(D)=L90AE-DGYC  
(E)=  
(F)=

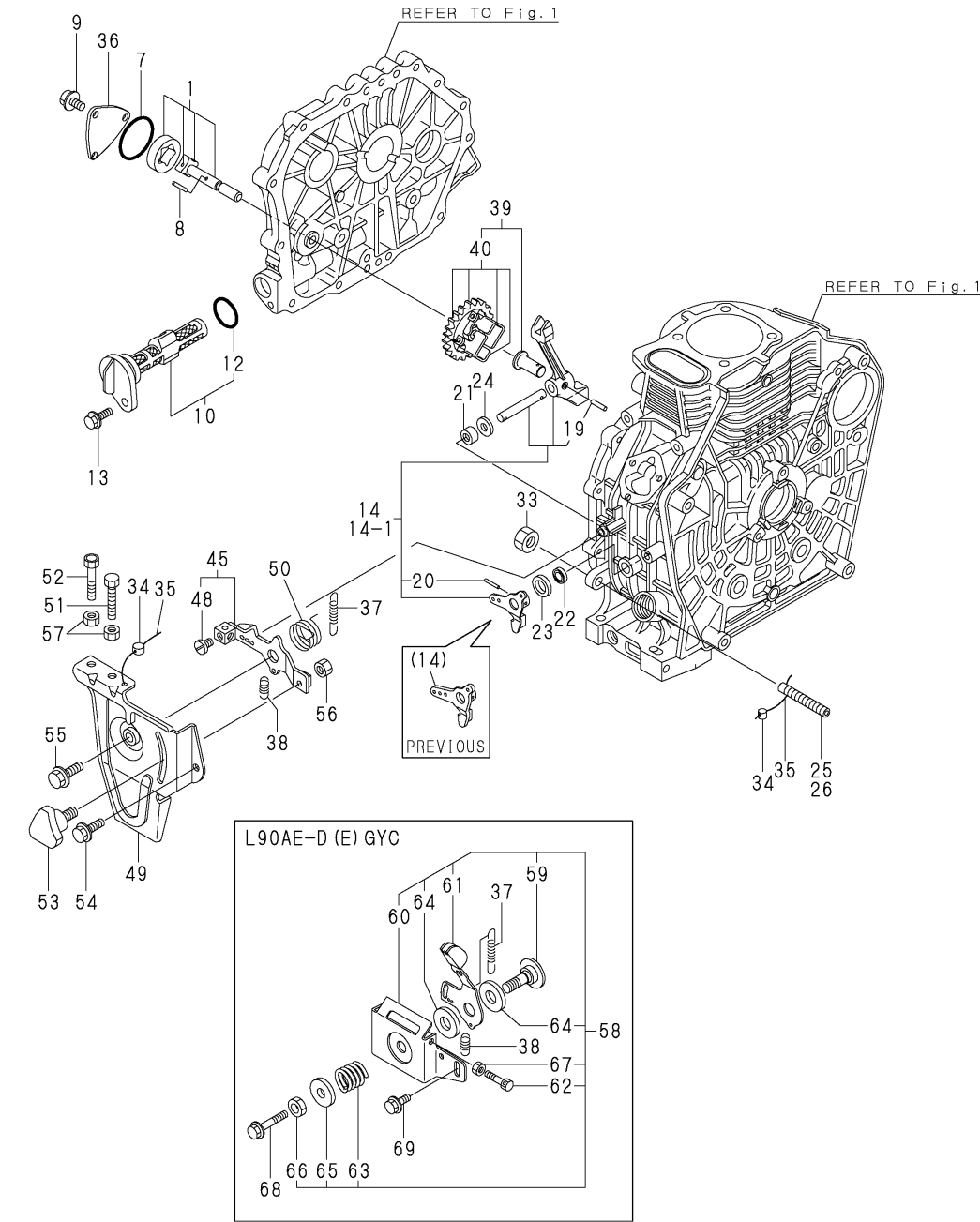


REF.	LEV.	PARTS NO.	DESCRIPTION	QTY						I	R
				(A)	(B)	(C)	(D)	(E)	(F)		
1	1	714699-14580	CAMSHAFT (D) ASSY	1	1	1	1				
5	1	114650-14200	TAPPET	2	2	2	2				
6	1	114771-14260	TAPPET,F.O.	1	1	1	1				
7	1	114650-14402	ROD ASSY, PUSH	2	2	2	2				
8	1	714668-21700	CRANKSHAFT ASSY, ED	1	1						
9	1	714689-21730	CRANKSHAFT ASSY, EDG			1	1				
17	1	114699-21220	NUT	1	1	1	1				
18	1	114699-21550	WASHER, FLYWHEEL	1	1	1	1				
19	1	22512-050140	KEY 5X 14	1	1	1	1				
20	1	714660-22724	PISTON W/RINGS (D)	1	1	1	1				
22	2	714650-22502	RING SET, PISTON	1	1	1	1				
28	1	114699-22300	PIN, PISTON D=23	1	1	1	1				
29	1	129792-22400	CIRCLIP 23	2	2	2	2				
30	1	71465G-23700	ROD ASSY, CONNECTING	1	1	1	1				
32	2	124060-23100	BUSH, PISTON PIN	1	1	1	1				
33	2	105300-23200	BOLT, ROD	2	2	2	2				
34	2	714650-23600	BEARING, CRANKPIN	1	1	1	1				
36	1	714970-28511	SHAFT ASSY, BALANCER	1	1	1	1				
40	1	24101-062030	BALL BEARING	1	1	1	1				
41	1	714660-22625	PISTON W/RING OS=.25	1	1	1	1				1
43	2	714650-22542	RING SET O.S.=0.25	1	1	1	1				1
47	1	714660-22581	PISTON W/RING OS=0.5	1	1	1	1				2
49	2	714650-22550	RING SET O.S.=0.50	1	1	1	1				2
53	1	714650-23610	BEARING,PIN(U.S.=0.25	1	1	1	1				3
55	1	714650-23620	BEARING,PIN(U.S.=0.50	1	1	1	1				4
57	1	114699-21590	FLYWHEEL ASSY		1	1					
59	2	114662-21601	GEAR, RING		1	1					
60	1	24101-063030	BEARING, 6303 C3	1	1	1	1				
61	1	114699-21420	FLYWHEEL	1			1				
62	1	160842-21260	WASHER, PULLEY	1	1						
63	1	160842-21150	KEY, 6.3X50	1	1						
64	1	160842-21250	BOLT, M7/16-20UNF	1	1						

Remarks

- (1)OVER SIZED(O.S.=0.25)PART.
- (2)OVER SIZED(O.S.=0.50)PART.
- (3)UNDER SIZED(U.S.=0.25)PART.
- (4)UNDER SIZED(U.S.=0.50)PART.

Fig.5. LUB.OIL PUMP & GOVERNOR



(A)=L90AE-DYC (D)=L90AE-DGYC  
 (B)=L90AE-DEYC (E)=  
 (C)=L90AE-DEGYC (F)=

REF.	LEV.	PARTS NO.	DESCRIPTION	QTY						I	R
				(A)	(B)	(C)	(D)	(E)	(F)		
1	1	114650-32010	PUMP ASSY, LUB.OIL	1	1	1	1				
7	1	114299-32570	O-RING, COVER	1	1	1	1				
8	1	22312-030160	PARALLEL PIN 3X16	1	1	1	1				
9	1	26476-060142	BOLT M 6X 14,TAPPING	3	3	3	3				
10	1	114299-35110	FILTER ASSY, LUB.OIL	1	1	1	1				
12	2	24341-000224	O-RING 1A S-22.4	1	1	1	1				
13	1	26106-060162	BOLT M 6X 16 PLATED	1	1	1	1				
14	1	714650-61500	LEVER ASSY, GOVERNOR	1	1	1	1				
14-1	1	714650-61501	LEVER ASSY, GOVERNOR	1	1	1	1				S
		(A=*2001.08) (B=*2001.08) (C=*2001.08) (D=*2001.08)									
19	3	22322-030200	TAPER PIN 3X20	1	1	1	1				
20	2	22322-030200	TAPER PIN 3X20	1	1	1	1				
21	1	114770-61520	BEARING,NEEDLE	2	2	2	2				
22	1	114299-61600	SEAL, OIL	1	1	1	1				
23	1	114770-61610	WASHER, THRUST	1	1	1	1				
24	1	114299-61190	WASHER, GOVERNOR	1	1	1	1				
25	1	114650-66500	LIMITER ASSY, FUEL	1	1						
26	1	114650-66600	TORQUE SPRING ASSY			1	1				
33	1	26776-100002	LOCK NUT M10 PLATED	1	1	1	1				
34	1	135210-61090	LEAD	2	2	2	2				
35	1	22451-060000	WIRE 0.6	2	2	2	2				
36	1	114299-32070	COVER, LUB. OIL PUMP	1	1	1	1				
37	1	114699-66010	SPRING, REGULATOR	1	1	1	1				
38	1	114299-66200	SPRING, RETURN	1	1	1	1				
39	1	714699-61700	GOVERNOR ASSY	1	1	1	1				
40	2	114699-61210	WEIGHT ASSY,GOVERNOR	1	1	1	1				
45	1	114299-66060	HANDLE ASSY, REGULAT	1	1						
48	2	26117-050089	BOLT, 5 X 8	1	1						
49	1	114299-66101	BRACKET, HANDLE	1	1						
50	1	114252-66252	SPRING, RETURN	1	1						
51	1	114299-66440	BOLT, ADJUSTING	1	1						
52	1	102100-67080	BOLT, ADJUSTING	1	1						
53	1	160725-78350	KNOB (W/M6X15)	1	1						
54	1	26106-060142	BOLT M 6X 14 PLATED	1	1						
55	1	26106-060202	KNOB	1	1						
56	1	26347-060002	U-NUT, 6	1	1						
57	1	26757-060002	NUT, 6	2	2						
58	1	183250-66500	BRACKET ASSY, HANDLE			1	1				
59	2	183250-66070	SHAFT, HANDLE			1	1				
60	2	183250-66100	BRACKET, REGULATOR			1	1				
61	2	183250-66050	HANDLE, REGULATOR			1	1				
62	2	114250-66440	BOLT, ADJUSTING			1	1				
63	2	104200-66820	SPRING, HANDLE			1	1				
64	2	104200-66831	PLATE, FRICTION			2	2				
65	2	104200-66850	WASHER B			1	1				
66	2	26696-100002	NUT M10			1	1				
67	2	26757-060002	NUT M 6			1	1				
68	1	26106-060452	BOLT M 6X 45 PLATED			1	1				
69	1	26476-060142	BOLT M 6X 14,TAPPING			1	1				

N:Old  $\begin{matrix} \leftarrow \text{Yes} \\ \text{No} \end{matrix}$  New, Q:Old  $\begin{matrix} \leftarrow \text{No} \\ \text{Yes} \end{matrix}$  New, R:Old  $\begin{matrix} \leftarrow \text{Yes} \\ \text{Yes} \end{matrix}$  New, S:Old  $\begin{matrix} \leftarrow \text{No} \\ \text{No} \end{matrix}$  New, W:Add, Z:Discontinued, F:Interchangeable by set, K:Q'ty Change  
 (C)Copy Rights YANMAR CO.,LTD.



Fig.6. COOLING & STARTING DEVICE

(A)=L90AE-DYC  
(B)=L90AE-DEYC  
(C)=L90AE-DEGYC

(D)=L90AE-DGYC  
(E)=  
(F)=

REF.	LEV.	PARTS NO.	DESCRIPTION	Q'TY						I	R
				(A)	(B)	(C)	(D)	(E)	(F)		
1	1	114699-45210	COVER, CYLINDER	1	1	1	1				
2	1	114350-45320	RUBBER, SEAL	1	1	1	1				
3	1	114399-45340	COLLAR, CYL.COVER	1	1	1	1				
4	1	183720-55210	GROMMET	1	1	1	1				
5	1	26106-060202	KNOB	1	1	1	1				
6	1	114250-45301	RUBBER, CUSHION	4	4	4	4				
7	1	114299-45310	COLLAR, FAN CASE	4	4	4	4				
8	1	114650-45330	SEAL, FAN CASE	1	1	1	1				
9	1	114370-45351	BOLT, FAN CASE	4	4	4	4				
10	1	114699-76070	RECOIL ASSY, START D	1	1	1	1				
10-1	1	114699-76071	RECOIL ASSY, START D	1	1	1	1				N
		(A=EXXX) (B=EXXX) (C=EXXX) (D=EXXX)									
12	2	114699-76510	CASE, STARTER	1	1	1	1				
13	2	114699-76520	REEL, RECOIL	1	1	1	1				
14	2	114699-76530	RATCHET	2	2	2	2				
15	2	114699-76540	SPRING, SPIRAL	1	1	1	1				
16	2	114699-76550	GUIDE, RATCHET	1	1	1	1				
17	2	114699-76560	SPRING, FRICTION	1	1	1	1				
18	2	114699-76620	KNOB, STARTER	1	1	1	1				
19	2	114699-76630	ROPE, STARTER	1	1	1	1				
20	2	114699-76650	SPRING, COMPRESSION	1	1	1	1				
21	2	114699-76660	RING, RETAINING	1	1	1	1				
22	2	114699-76670	WASHER	1	1	1	1				
23	2	114699-76680	WASHER, NYLON	1	1	1	1				
24	2	114699-76590	PULLEY, STARTER	1	1	1	1				
24-1	2	114699-76591	PULLEY, STARTER	1	1	1	1				S
		(A=EXXX) (B=EXXX) (C=EXXX) (D=EXXX)									
25	1	26106-060082	BOLT M 6X 8 PLATED	4	4	4	4				
26	1	26106-060122	BOLT M 6X 12 PLATED	3	3	3	3				
27	1	114699-45100	FAN CASE(SILVER)(17)	1	1	1	1				

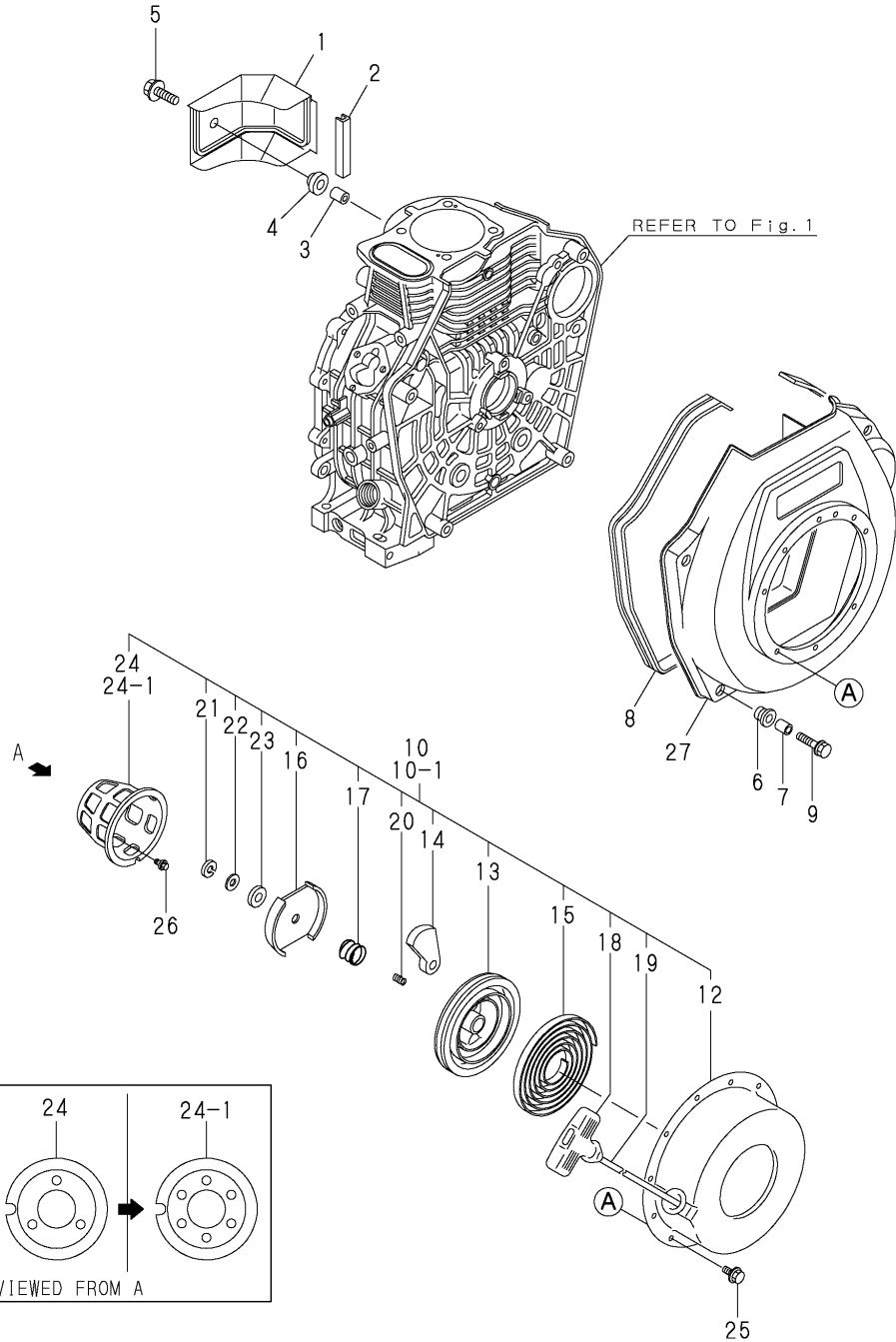
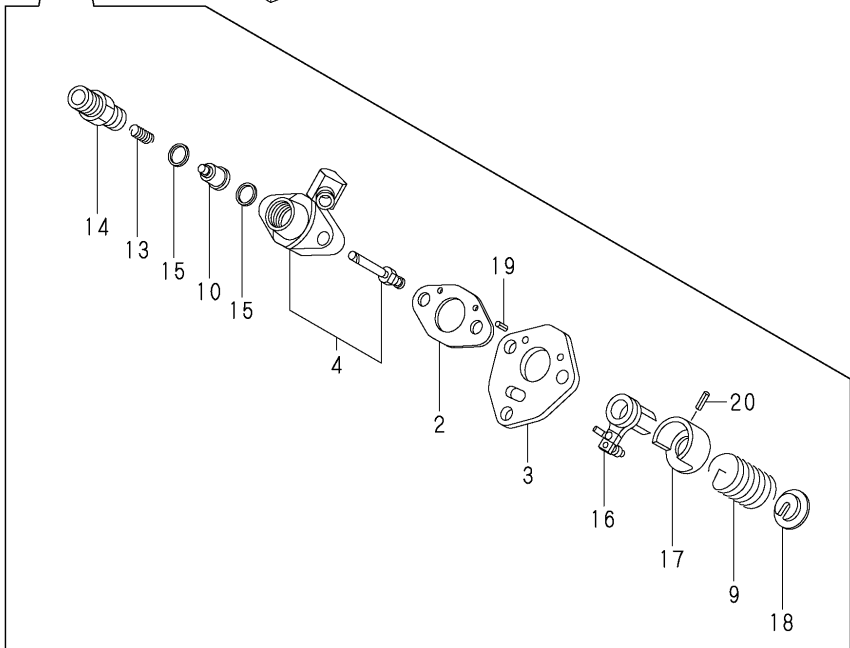
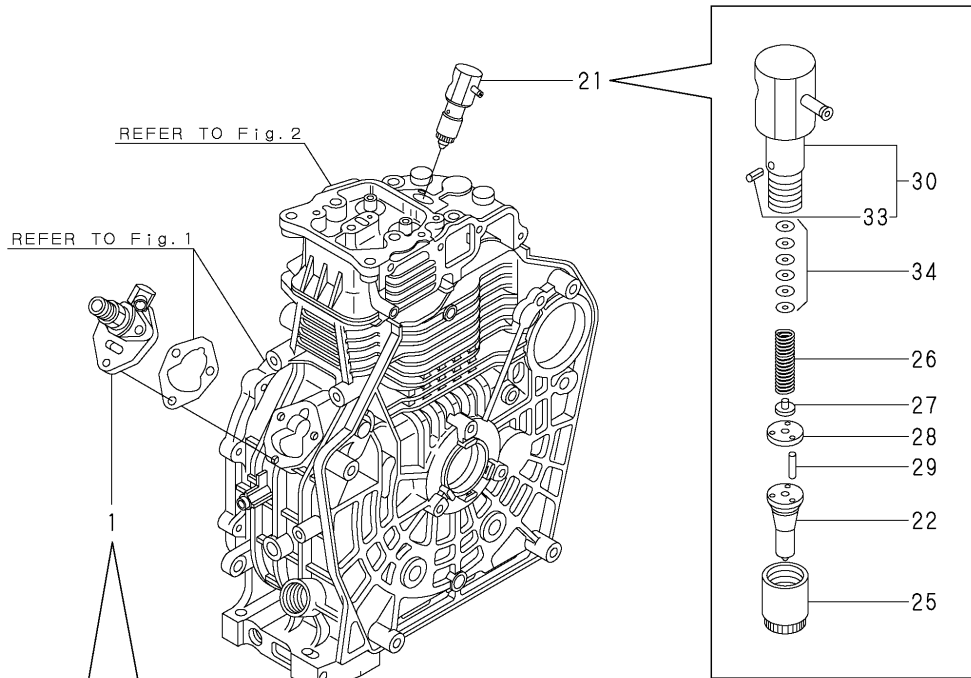


Fig.7. FUEL INJECTION PUMP



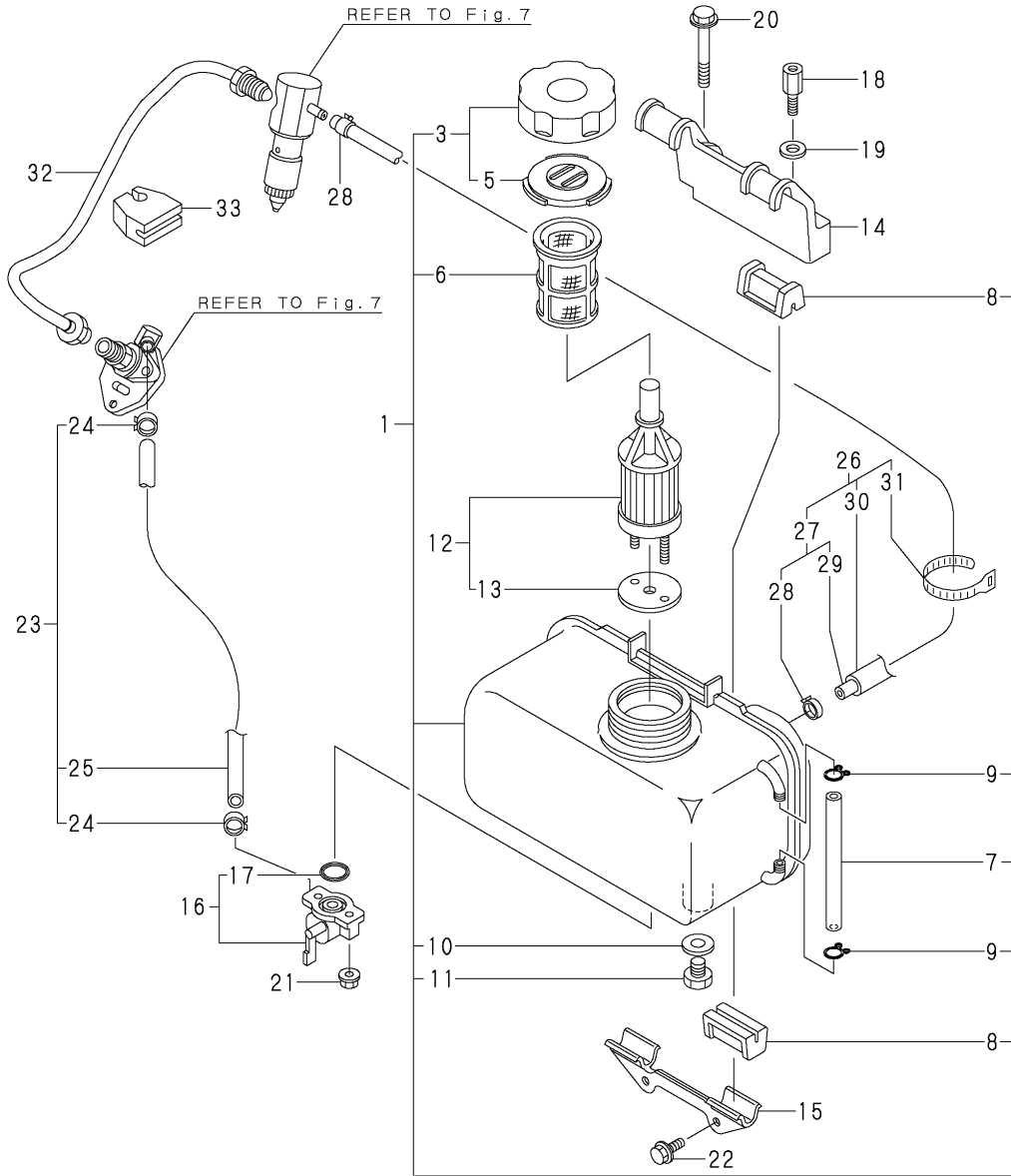
OCR10-G55200 7. FUEL INJECTION PUMP

(A)=L90AE-DYC  
(B)=L90AE-DEYC  
(C)=L90AE-DEGYC

(D)=L90AE-DGYC  
(E)=  
(F)=

REF.	LEV.	PARTS NO.	DESCRIPTION	Q'TY						I	R
				(A)	(B)	(C)	(D)	(E)	(F)		
1	1	714650-51100	PUMP ASSY, F.INJECT.	1	1	1	1				
2	2	105546-51020	GASKET	1	1	1	1				
3	2	114250-51080	PLATE	1	1	1	1				
4	2	114650-51100	BODY, F.I. PUMP	1	1	1	1				
9	2	114250-51160	SPRING	1	1	1	1				
10	2	114650-51300	VALVE ASSY, DELIVERY	1	1	1	1				
13	2	105546-51330	SPRING, DELIV. VALVE	1	1	1	1				
14	2	114250-51340	HOLDER, F.I.P.DELIVE	1	1	1	1				
15	2	124550-51350	GASKET, DELIVERY	2	2	2	2				
16	2	114250-51600	LEVER ASSY, CONTROL	1	1	1	1				
17	2	114250-51640	SEAT (A), SPRING	1	1	1	1				
18	2	114250-51650	SEAT (B), SPRING	1	1	1	1				
19	2	22351-020006	SPRING PIN 2X 6	2	2	2	2				
20	2	22351-030008	SPRING PIN 3X 8	1	1	1	1				
21	1	714650-53100	VALVE ASSY, F.INJECT	1	1	1	1				
22	2	114650-53000	NOZZLE ASSY,F.INJECT	1	1	1	1				
25	2	114250-53080	NUT, NOZZLE CASE	1	1	1	1				
26	2	114250-53120	SPRING, NOZZLE	1	1	1	1				
27	2	114250-53130	SEAT, NOZZLE SPRING	1	1	1	1				
28	2	114250-53140	PLATE, STOP	1	1	1	1				
29	2	114250-53210	PIN	2	2	2	2				
30	2	114650-53300	HOLDER ASSY, NOZZLE	1	1	1	1				
33	3	114250-53331	PIN, SPRING	1	1	1	1				
34	2	114250-53400	SHIM PACK	1	1	1	1				

Fig.8. FUEL TANK & FUEL PIPE

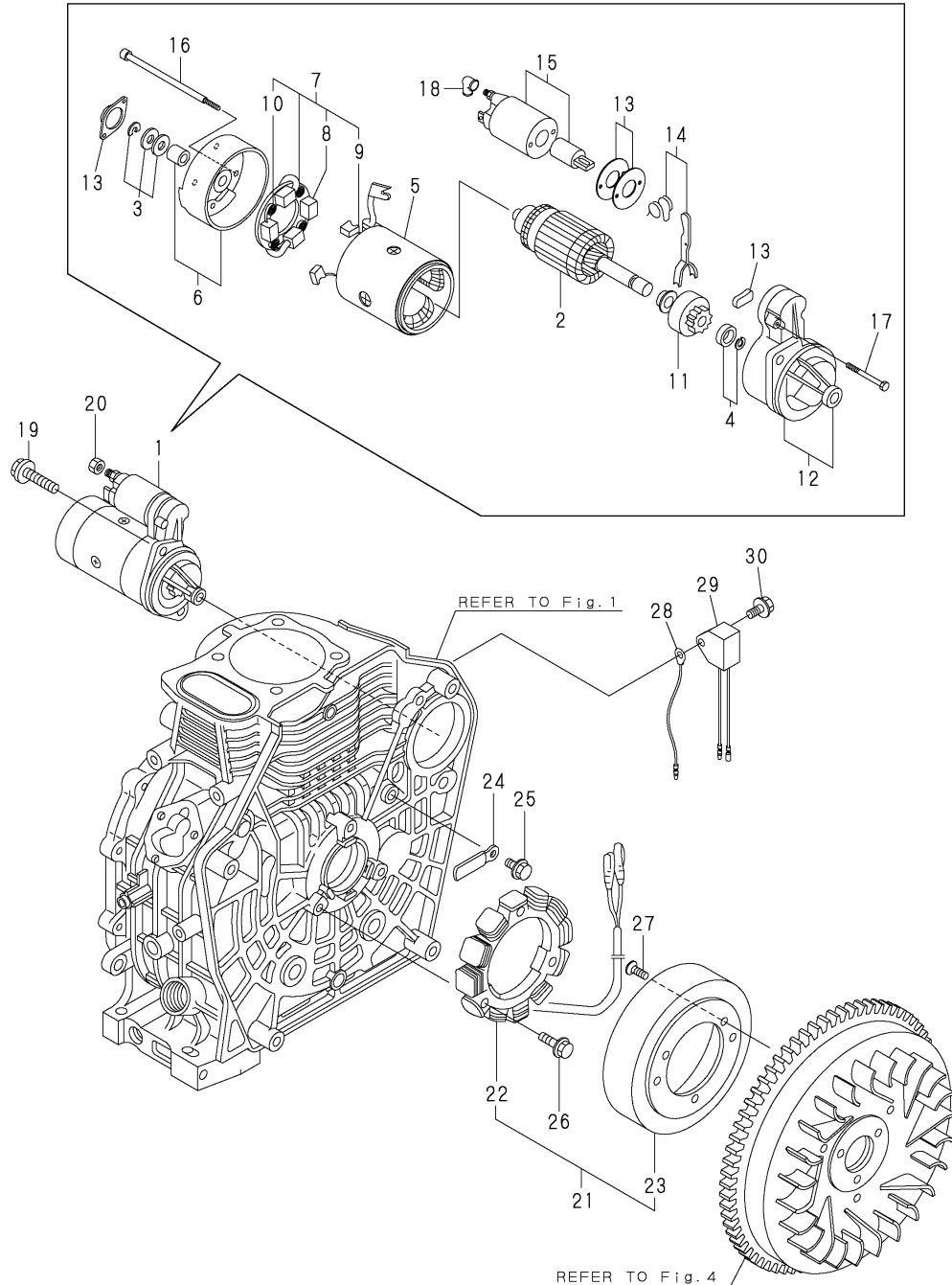


(A)=L90AE-DYC  
(B)=L90AE-DEYC  
(C)=L90AE-DEGYC

(D)=L90AE-DGYC  
(E)=  
(F)=

REF.	LEV.	PARTS NO.	DESCRIPTION	QTY						I	R
				(A)	(B)	(C)	(D)	(E)	(F)		
1	1	714650-55701	TANK, FUEL (RED)(50)	1	1	1	1				
3	2	114288-55041	CAP ASSY, FUEL TANK	1	1	1	1				
5	3	114288-55081	VALVE	1	1	1	1				
6	2	114250-55100	FILTER, FUEL	1	1	1	1				
7	2	114650-55150	PIPE, GAUGE	1	1	1	1				
8	2	114250-55201	DAMPER, FUEL TANK	4	4	4	4				
9	2	103854-55220	CLAMP	2	2	2	2				
10	2	23414-080000	GASKET 8, ROUND	1	1	1	1				
11	2	105300-55080	PLUG, DRAIN	1	1	1	1				
12	1	114250-55121	FILTER, FUEL OIL	1	1	1	1				
13	2	114250-55130	GASKET	1	1	1	1				
14	1	114699-55230	STAY(B), FUEL TANK	1	1	1	1				
15	1	114299-55210	STAY	1	1	1	1				
16	1	114250-55301	COCK	1	1	1	1				
17	2	24341-000150	O-RING 1A S-15.0	1	1	1	1				
18	1	114650-55810	BOLT, LIFTING	1	1	1	1				
19	1	22117-080000	WASHER 8	1	1	1	1				
20	1	26106-080452	BOLT M 8X 45 PLATED	1	1	1	1				
21	1	26366-060002	NUT M 6	2	2	2	2				
22	1	26476-060142	BOLT M 6X 14,TAPPING	2	2	2	2				
23	1	114770-59030	PIPE ASSY, FUEL OIL	1	1	1	1				
24	2	114270-59010	CLAMP, 12	2	2	2	2				
25	2	114268-59061	PIPE, FUEL OIL	1	1	1	1				
26	1	114652-59300	PIPE, FUEL RETURN	1	1	1	1				
27	2	114652-59100	PIPE ASSY, FUEL OIL	1	1	1	1				
28	3	124722-59050	CLAMP 9	2	2	2	2				
29	3	114650-59060	PIPE, FUEL RETURN	1	1	1	1				
30	2	114652-59310	TUBE, PROTECT	1	1	1	1				
31	2	121750-59890	CLAMP 140	1	1	1	1				
32	1	114650-59801	PIPE, FUEL INJECTION	1	1	1	1				
33	1	114650-59850	BRACKET, PIPE	1	1	1	1				

Fig.9. STARTING MOTOR

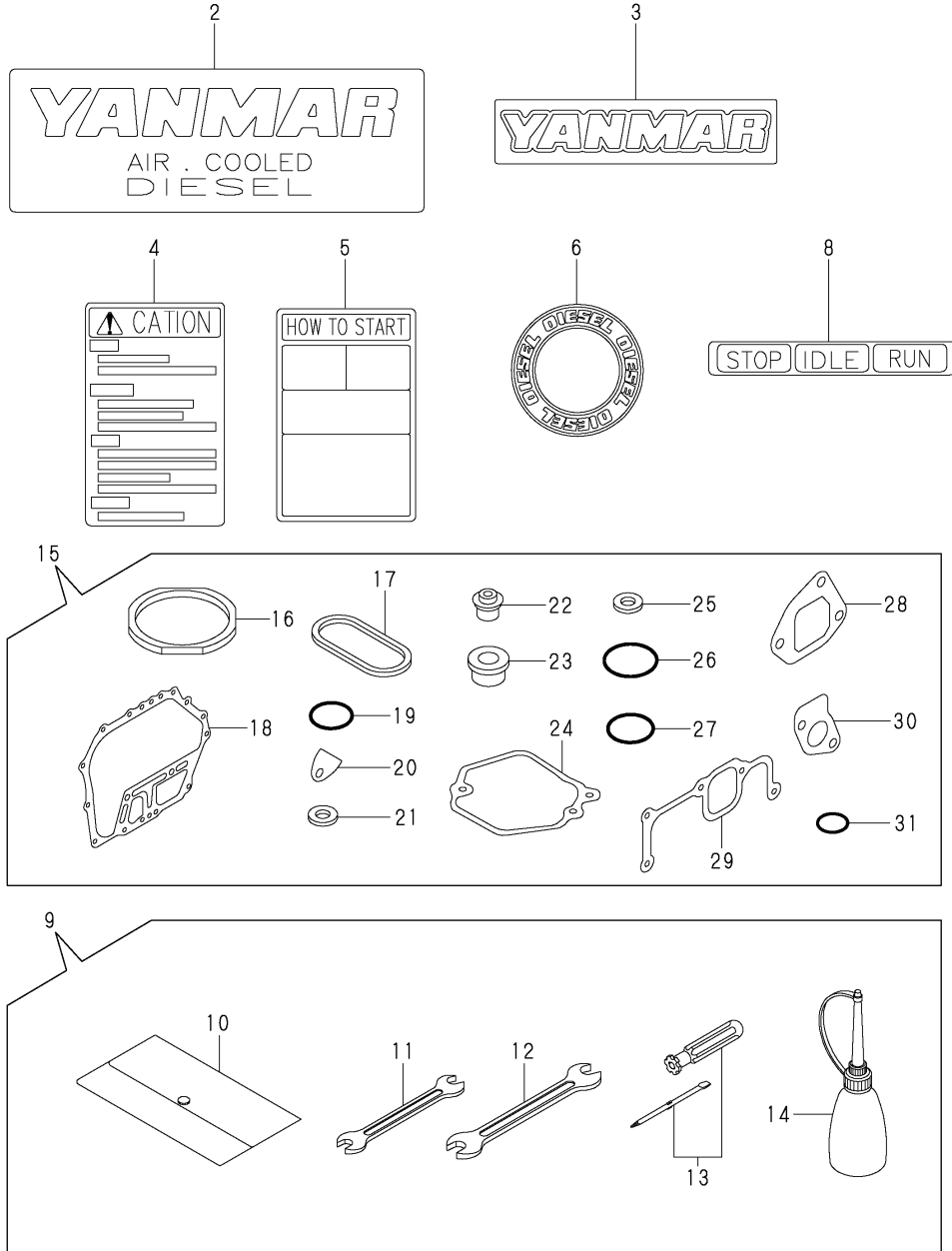


(A)=L90AE-DYC  
(B)=L90AE-DEYC  
(C)=L90AE-DEGYC

(D)=L90AE-DGYC  
(E)=  
(F)=

REF.	LEV.	PARTS NO.	DESCRIPTION	QTY						I	R
				(A)	(B)	(C)	(D)	(E)	(F)		
1	1	114362-77011	STARTER(S114-651A)	1	1						
2	2	114381-77110	ARMATURE	1	1						
3	2	X2114811000	WASHER KIT, THRUST	1	1						
4	2	X2114715500	STOPPER SET, PINION	1	1						
5	2	114381-77130	COIL ASSY, FIELD	1	1						
6	2	114381-77140	COVER, REAR	1	1						
7	2	114371-77160	HOLDER ASSY, BRUSH	1	1						
8	3	114371-79040	BRUSH (-)	2	2						
9	3	114371-79050	BRUSH (+)	1	1						
10	3	114371-79060	SPRING, BRUSH	4	4						
11	2	X211485016	PINION ASSY	1	1						
12	2	114381-77151	HOUSING ASSY, GEAR	1	1						
13	2	114371-77170	COVER KIT, DUST	1	1						
14	2	114371-77180	SHIFT LEVER KIT	1	1						
15	2	124298-77020	SWITCH, MAGNET	1	1						
16	2	124195-77770	THROUGH BOLT	2	2						
17	2	114371-79070	BOLT M6	2	2						
18	2	X2114274200	COVER (A), RUBBER	1	1						
19	1	26106-100302	BOLT M10X 30 PLATED	2	2						
20	1	26716-080002	NUT M 8	1	1						
21	1	114399-78250	DINAMO ASSY, 1A	1	1						
22	2	114399-78710	STATOR ASSY	1	1						
23	2	114399-78720	WHEEL, DYNAMO	1	1						
24	1	160710-78710	CLAMP, WIRE	1	1						
25	1	26106-060122	SCREW M 6X 14	1	1						
26	1	26106-060202	BOLT M 6X 20 PLATED	3	3						
27	1	26577-060142	SCREW M 6X 14	3	3						
28	1	183350-77400	WIRE, LEAD	1	1						
29	1	160970-77350	RECTIFIER	1	1						
30	1	26106-060122	SCREW M 6X 14	1	1						

Fig.10. TOOL,LABEL & GASKET SET



Remarks  
(1)OPTIONAL

(A)=L90AE-DYC (D)=L90AE-DGYC  
(B)=L90AE-DEYC (E)=  
(C)=L90AE-DEGYC (F)=

REF.	LEV.	PARTS NO.	DESCRIPTION	QTY						I	R
				(A)	(B)	(C)	(D)	(E)	(F)		
2	1	114299-07100	LABEL, AIR COOLED	1	1	1	1				
3	1	114299-07110	LABEL, YANMAR	1	1	1	1				
4	1	114299-07120	LABEL, CAUTION	1	1	1	1				
5	1	114299-07140	LABEL, HOW TO START	1	1	1	1				
6	1	114299-07160	LABEL, DIESEL	1	1	1	1				
8	1	183250-07230	LABEL, OPERATION			1	1				
9	1	114299-92590	TOOL ASSY	1	1	1	1				
10	2	114299-92600	BAG, TOOL	1	1	1	1				
11	2	114299-92710	SPANNER	1	1	1	1				
12	2	114299-92720	SPANNER	1	1	1	1				
13	2	114299-92730	DRIVER	1	1	1	1				
14	2	114299-92740	FITTING, FUEL	1	1	1	1				
15	1	714699-92600	GASKET SET	1	1	1	1				1
16	2	114699-01340	GASKET, CYL.HEAD	1	1	1	1				
17	2	114699-01380	O-RING, TAPPET	1	1	1	1				
18	2	114699-01410	GASKET, CRANK COVER	1	1	1	1				
19	2	114299-01950	O-RING 18	2	2	2	2				
20	2	114299-01840	GASKET, FUEL PUMP	1	1	1	1				
21	2	22190-160002	WASHER, SEAL 16	2	2	2	2				
22	2	114650-11340	SEAL, VALVE STEM	2	2	2	2				
23	2	114250-11460	GASKET, NOZZLE	1	1	1	1				
24	2	114699-11320	GASKET, BONNET	1	1	1	1				
25	2	23414-080000	GASKET 8, ROUND	1	1	1	1				
26	2	114299-32570	O-RING, COVER	1	1	1	1				
27	2	24341-000224	O-RING 1A S-22.4	1	1	1	1				
28	2	114699-12210	GASKET, CLEANER	1	1	1	1				
29	2	114699-12200	GASKET, INTAKE	1	1	1	1				
30	2	114699-13200	GASKET, MUFFLER	1	1	1	1				
31	2	24341-000150	O-RING 1A S-15.0	1	1	1	1				

## Part Number Index

All parts are stipulated in the order of part numbers.

(Depending on the area in which the part is used.)

This index will display the location of the part according to each part number.

## PARTS No. INDEX

PARTS No.	Fig.	Ref.No.
102100-67080	5	52
103854-55220	8	9
104200-66820	5	63
104200-66831	5	64
104200-66850	5	65
104211-11370	2	13
		26
105300-23200	4	33
105300-55080	8	11
105425-01690	1	18
105546-51020	7	2
105546-51330	7	13
114250-03591	2	35
114250-03640	2	38
114250-11240	2	19
		24
114250-11460	2	14
	10	23
114250-12300	3	10
114250-45301	6	6
114250-51080	7	3
114250-51160	7	9
114250-51340	7	14
114250-51600	7	16
114250-51640	7	17
114250-51650	7	18
114250-53080	7	25
114250-53120	7	26
114250-53130	7	27
114250-53140	7	28
114250-53210	7	29
114250-53331	7	33
114250-53400	7	34
114250-55100	8	6
114250-55121	8	12
114250-55130	8	13
114250-55201	8	8
114250-55301	8	16
114250-66440	5	62
114252-12550	3	9
114252-12560	3	4
114252-66252	5	50
114268-59061	8	25
114270-01600	1	12
114270-59010	8	24
114288-55041	8	3
114288-55081	8	5
114299-01800	1	34
114299-01830	1	6
114299-01840	1	11

PARTS No.	Fig.	Ref.No.
114299-01840	10	20
114299-01950	1	21
	10	19
114299-02030	1	23
114299-07100	10	2
114299-07110	10	3
114299-07120	10	4
114299-07140	10	5
114299-07160	10	6
114299-11901	2	10
114299-32070	5	36
114299-32570	5	7
	10	26
114299-35110	5	10
114299-35150	1	16
114299-45310	6	7
114299-55210	8	15
114299-61190	5	24
114299-61600	5	22
114299-66060	5	45
114299-66101	5	49
114299-66200	5	38
114299-66440	5	51
114299-92590	10	9
114299-92600	10	10
114299-92710	10	11
114299-92720	10	12
114299-92730	10	13
114299-92740	10	14
114350-11470	2	15
114350-45320	6	2
114362-77011	9	1
114370-45351	6	9
114371-77160	9	7
114371-77170	9	13
114371-77180	9	14
114371-79040	9	8
114371-79050	9	9
114371-79060	9	10
114371-79070	9	17
114381-77110	9	2
114381-77130	9	5
114381-77140	9	6
114381-77151	9	12
114399-01700	1	4
114399-45340	6	3
114399-78250	9	21
114399-78710	9	22
114399-78720	9	23
114650-01240	1	8

PARTS No.	Fig.	Ref.No.
114650-02100	1	43
114650-02150	1	24
114650-02200	1	29
114650-02210	1	30
114650-07450	3	8
114650-11011	2	1
114650-11100	2	5
114650-11261	2	11
114650-11340	2	12
	10	22
114650-11652	2	17
114650-12511	3	1
114650-12520	3	2
114650-12531	3	3
114650-12591	3	5
114650-14200	4	5
114650-14402	4	7
114650-32010	5	1
114650-45330	6	8
114650-51100	7	4
114650-51300	7	10
114650-53000	7	22
114650-53300	7	30
114650-55150	8	7
114650-55810	8	18
114650-59060	8	29
114650-59801	8	32
114650-59850	8	33
114650-66500	5	25
114650-66600	5	26
114652-59100	8	27
114652-59300	8	26
114652-59310	8	30
114654-11110	2	6
114662-21601	4	59
114671-01012	1	1
114699-01200	1	7
114699-01220	1	31
114699-01230	1	32
114699-01250	1	9
114699-01340	1	33
	10	16
114699-01380	1	10
	10	17
114699-01410	1	40
	10	18
114699-01450	1	41
114699-01760	1	19
114699-11120	2	7
114699-11320	2	31

PARTS No.	Fig.	Ref.No.
114699-11320	10	24
114699-11600	2	16
114699-11950	2	33
114699-12020	3	11
114699-12200	3	26
	10	29
114699-12210	3	25
	10	28
114699-13200	3	15
	10	30
114699-13800	3	24
114699-21220	4	17
114699-21420	4	61
114699-21550	4	18
114699-21590	4	57
114699-22300	4	28
114699-45100	6	27
114699-45210	6	1
114699-55230	8	14
114699-61210	5	40
114699-66010	5	37
114699-76070	6	10
114699-76071	6	10 -1
114699-76510	6	12
114699-76520	6	13
114699-76530	6	14
114699-76540	6	15
114699-76550	6	16
114699-76560	6	17
114699-76590	6	24
114699-76591	6	24 -1
114699-76620	6	18
114699-76630	6	19
114699-76650	6	20
114699-76660	6	21
114699-76670	6	22
114699-76680	6	23
114770-59030	8	23
114770-61520	5	21
114770-61610	5	23
114771-14260	4	6
114970-13551	3	16
114970-13561	3	18
114970-13700	3	19
114970-13710	3	20
119620-11180	2	8
121750-59890	8	31
124060-23100	4	32
124195-77770	9	16
124298-77020	9	15

MODEL : L90AE-D(E)(G)YC  
PC NO : 0CR10-G55200

## PARTS No. INDEX

PARTS No.	Fig.	Ref.No.
124550-51350	7	15
124722-59050	8	28
129792-22400	4	29
135210-61090	5	34
160260-01580	3	17
160710-78710	9	24
160725-78350	5	53
160842-21150	4	63
160842-21250	4	64
160842-21260	4	62
160970-77350	9	29
183250-07230	10	8
183250-66050	5	61
183250-66070	5	59
183250-66100	5	60
183250-66500	5	58
183350-77400	9	28
183720-55210	6	4
714650-22502	4	22
714650-22542	4	43
714650-22550	4	49
714650-23600	4	34
714650-23610	4	53
714650-23620	4	55
714650-51100	7	1
714650-53100	7	21
714650-55701	8	1
714650-61500	5	14
714650-61501	5	14 -1
71465G-23700	4	30
714660-22581	4	47
714660-22625	4	41
714660-22724	4	20
714668-21700	4	8
714670-11660	2	21
714689-21730	4	9
714699-14580	4	1
714699-61700	5	39
714699-92600	10	15
714970-28511	4	36
X2114274200	9	18
X2114715500	9	4
X2114811000	9	3
X211485016	9	11

PARTS No.	Fig.	Ref.No.
-----------	------	---------

PARTS No.	Fig.	Ref.No.
-----------	------	---------

PARTS No.	Fig.	Ref.No.
-----------	------	---------





***YANMAR CO.,LTD.***