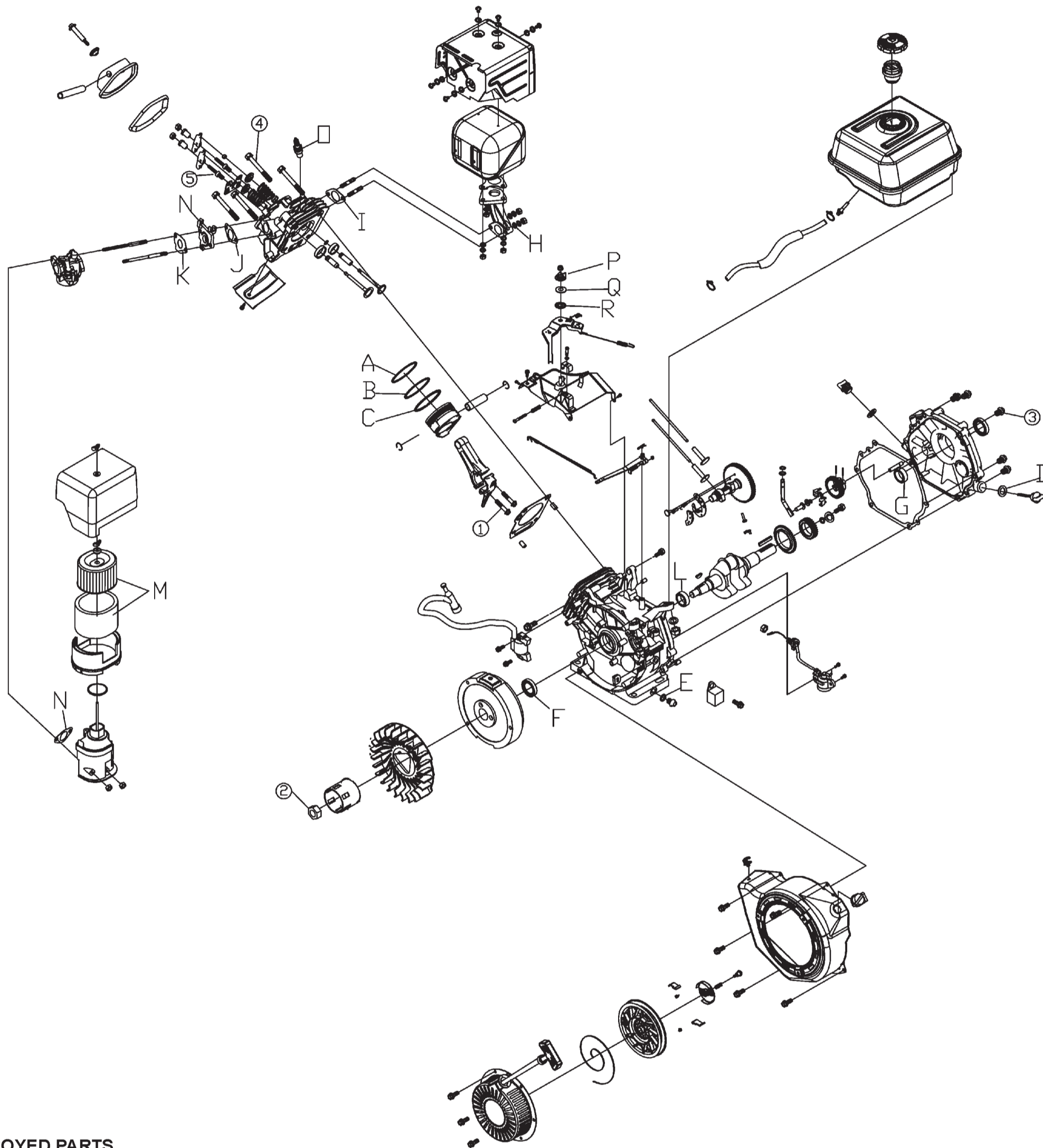


ASSEMBLY AND PARTS ALBUM

GASOLINE ENGINE KG270

KIPOR



EASY DESTROYED PARTS

Ref. No.	Part No.	Description	Qty.	Mounted to
A	KG280-04001	First air ring	1	(04) Piston connecting rod assembly
B	KG270-04002	Second air ring	1	(04) Piston connecting rod assembly
C	KG280-04100	Oil ring assembly	1	(04) Piston connecting rod assembly
D	KG240-01016	Oil gauge cushion	2	(01) Crankcase body assembly
E	KM168F-10008	Oil drain plug screw cushion	2	(01) Crankcase body assembly
F	KM178F-01021	Oil seal	2	(01) Crankcase body assembly
G	GB/T276-1994	Ball bearing	1	(01) Crankcase body assembly
H	GB/T97.1-2002	Gasket	2	(08) Air Exhaust system
I	KG240-02015	Exhaust pipe cushion	1	(02) Cylinder cover assembly
J	KG240-02014	Inlet pipe cushion	1	(02) Cylinder cover assembly
K	KG240-02021	Carburetor cushion A	1	(02) Cylinder cover assembly
L	GB/T276-1994	Ball bearing	1	(05) Crankshaft flywheel assembly
M	KG240-07100A	Filter element assembly	1	(07) Air intake system
N	KG240-07004A	Carburetor gasket	1	(07) Air intake system
O	QC/T430-1999	Spark plug WR7DC	1	(14) Ignition system
P	KG240-11203	Lock washer	1	(11) Governor and control system
Q	KG160-11202	Saddle gasket	1	(11) Governor and control system
R	KG160-11204	Wearing piece	1	(11) Governor and control system

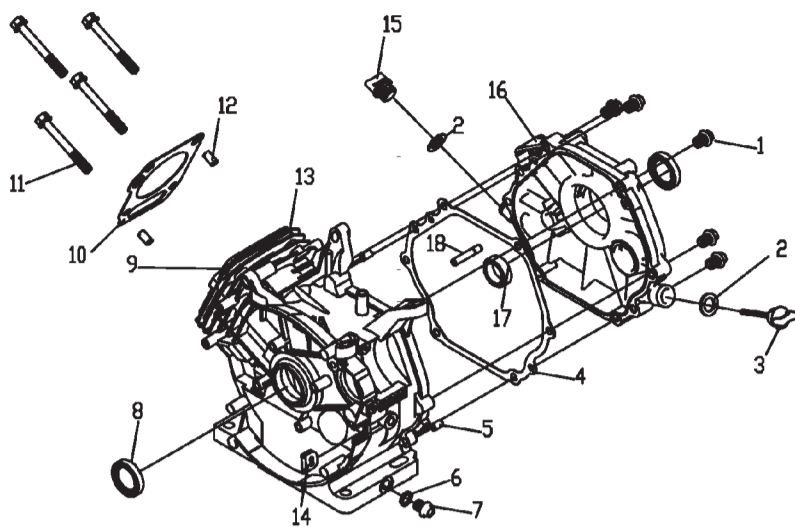
FASTENING TORQUE OF MAIN BOLT & NUT (Unit: N.m)

Ref. No.	Description	Torgue
1	Connecting rod bolt	20-22
2	Flywheel nut	120-130
3	Crankcase cover bolt	20-23
4	Cylinder cover bolt	42-46
5	Rocker shaft bolt M8	20-23

WUXI KIPOR POWER CO., LTD.

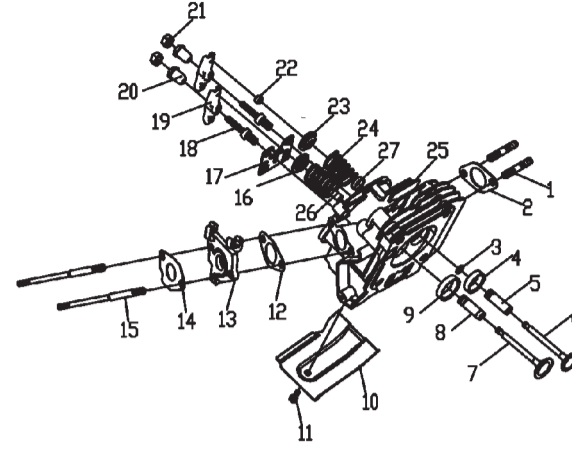
Beside Jingyi Rd, Third-stage Development Section of Wangzhuang Industry Area, Wuxi High & New Technology Industry Development Zone. TEL: 0086-510-85200888 FAX: 0086-510-85200999

Crankcase body assembly (KG270-01000)



Ref.No	Part.No	Description	Qty.
1	GB/T5789-1986	Bolt M8×35	7
2	KG240-01016	Oil gauge cushion	2
3	KG280-01015	Oil gauge	1
4	KG280-01005	Crankcase cover cushion	1
5	KG160-01011	Crankcase cover location pin	2
6	KM168F-10008	Oil drain plug screw cushion	2
7	KG240-01007	Oil drain plug screw	2
8	KM178F-01021	Oil seal	2
9	KG270-01001-01	Cylinder wall sheath	1
10	KG280-01004	Cylinder cover cushion	1
11	KG240-01003	Cylinder cover bolt	4
12	KG240-01012	Cylinder cover location pin	2
13	KG280-01001	Crankcase body	1
14	KG240-01013	Wire sheath	1
15	KG240-01018	Filler plug screw	1
16	KG280-01006	Crankcase cover	1
17	GB/T276-1994	Ball bearing 6206	1
18	KG240-01009	Governor axis	1

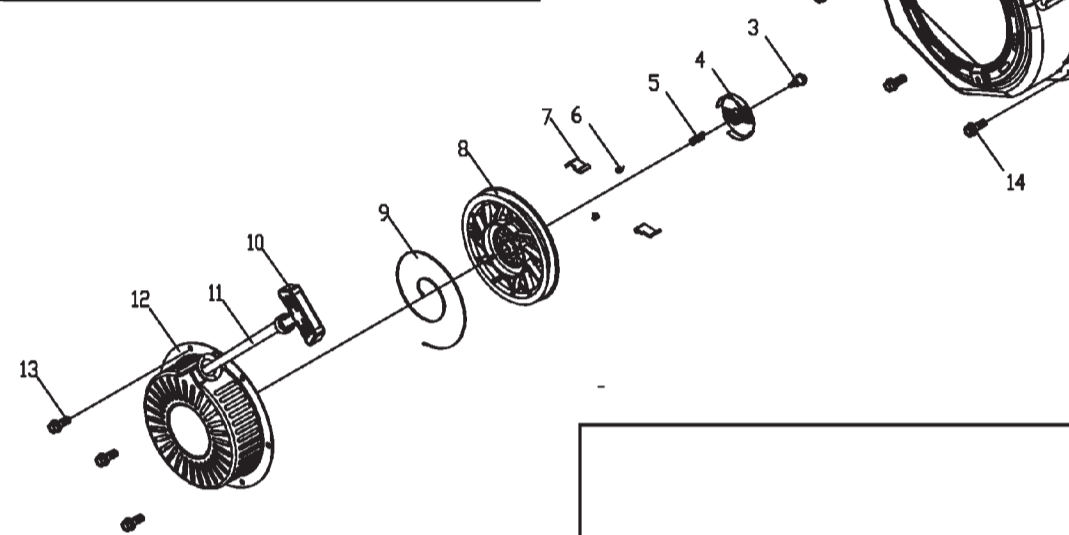
Cylinder cover assembly (KG240-02000)



Ref.No	Part.No	Description	Qty.
1	KG280-02017	Exhaust pipe screw	2
2	KG240-02015	Exhaust pipe cushion	1
3	KG240-02104	Exhaust valve conduit outer retainer	1
4	KG240-02103	Exhaust valve seat	1
5	KG240-02105	Exhaust valve conduit	1
6	KG240-02005	Exhaust valve	1
7	KG240-02004	Inlet valve	1
8	KG240-02106	Inlet valve conduit	1
9	KG240-02102	Inlet valve seat	1
10	KG280-02022	Windscreen	1
11	GB/T5789-1986	Bolt M6×12	1
12	KG240-02014	Inlet pipe cushion	1
13	KG240-02019	Carburetor insulation block	1
14	KG240-02021	Carburetor cushion A	1
15	KG280-02016	Inlet pipe screw	2
16	KG240-02001	Inlet valve spring seat	1
17	KG240-02011	Push rod guide plate	1
18	KG160-02007	Rocker axis bolt	2
19	KG240-02009	Valve rocker	2
20	KG160-02008	Rocker axis	2
21	KG280-02016	Rocker axis adjusting nut	2
22	KG240-02003	Exhaust valve adjusting cushion block	1
23	KG240-02002	Exhaust valve spring seat	1
24	KG240-02006	Valve spring	2
25	KG240-02101	Cylinder cover	1
26	KG240-02012	Inlet valve conduit oil seal	1
27	KG240-02013	Under seat of exhaust valve spring	1

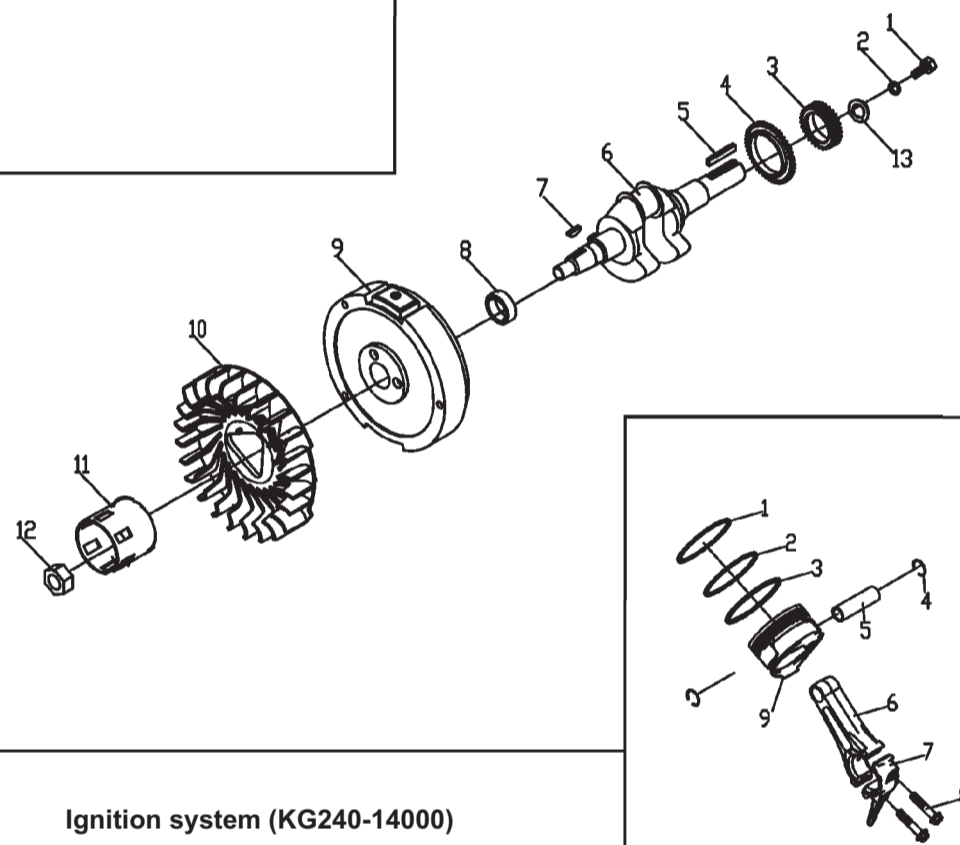
Recoil starter and fan cover (KG240-12000)

Ref.No	Part.No	Description	Qty.
1	KG240-12001	Oil delivery pipe clip hoop	1
2	KG240-12200	Fan cover jointing piece	1
3	KG240-12006	Fasten bolt	1
4	KG240-12005	Ratchet guide plate	1
5	KG240-12004	Friction spring	1
6	KG240-12007	Ratchet spring	2
7	KG240-12008	Ratchet	2
8	KG240-12002	Starter reel	1
9	KG240-12003	Recoil starter spring	1
10	KG240-12011	Start handle	1
11	KG240-12009	Start rope	1
12	KG240-12100	Starter cover assembly	1
13	GB/T5789-1986	Bolt M6×8	3
14	GB/T5789-1986	Bolt M6×12	5



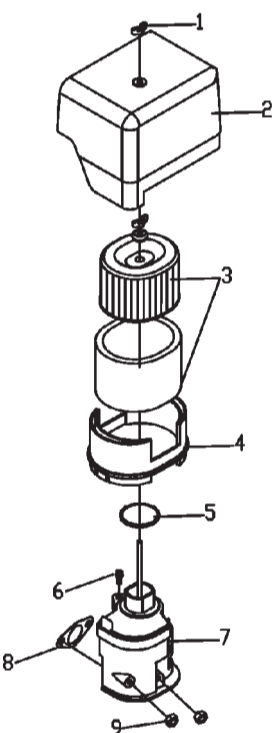
Crankshaft flywheel assembly (KG240-05000)

Ref.No	Part.No	Description	Qty.
1	KM186F-05007	Output terminal fasten bolt	1
2	GB/T93-1987	Gasket 10	1
3	KG240-05002	Timing gear	1
4	KG240-05003	Governor gear	1
5	GB/T1096-2003	Key 8×40	1
6	KG280D-05001	Crankshaft	1
7	KG160-05007	Key	1
8	GB/T276-1994	Ball bearing 6206	1
9	KG240-05100	Flywheel assembly	1
10	KG240-05005	Wind Impeller	1
11	KG240-05201	Start wheel assembly	1
12	KG240-05004	Flywheel nut	1
13	KM178F-05008	Output gasket	1



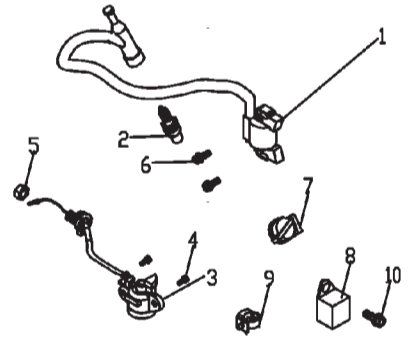
Air Intake system (KG240-07000a)

Ref.No	Part.No	Description	Qty.
1	GB/T62-1988	Butterfly nut M6	2
2	KG240-07001a	Upper cover	1
3	KG240-07100a	Filter element assembly	1
4	KG240-07002a	Under cover	1
5	KG240-07003a	Seal cushion	1
6	GB/T5783-1986	Bolt M6×20	1
7	KG240-07200a	Seating shoe assembly	1
8	KG240-07004a	Carburetor gasket	1
9	GB/T6177.1-2000	Nut M6	2



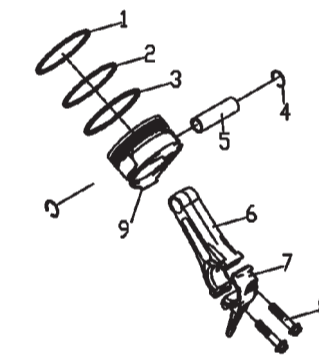
Ignition system (KG240-14000)

Ref.No	Part.No	Description	Qty.
1	KG240-14100	Ignition coil	1
2	QC/T430-1999	Spark plug WR7DC	1
3	KG240-14300	Oil level switch	1
4	GB/T5789-1986	Bolt M6×16	2
5	GB/T6177.1-2000	Nut M10	1
6	GB/T5789-1986	Bolt M6×20	2
7	KG160-14200	Engine switch	1
8		Amplifier	1
9	KG160-14001	Clip winding	1
10	GB/T5789-1986	Bolt M6×12	1



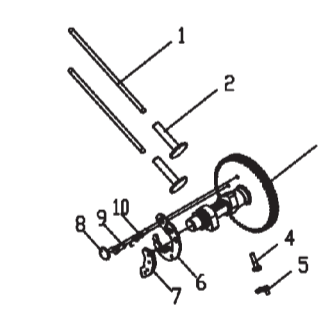
Piston connecting rod assembly (KG270-04000)

Ref.No	Part.No	Description	Qty.
1	KG280-04001	First air ring	1
2	KG280-04002	Second air ring	1
3	KG280-04100	Oil ring assembly	1
4	KG240-04005	Retainer ring	2
5	KG240-04004	Piston pin	1
6	KG240-04201	Connecting rod body	1
7	KG240-04202	Connecting cover	1
8	KG240-04203	Connecting rod bolt	2
9	KG270-04003	Piston	1



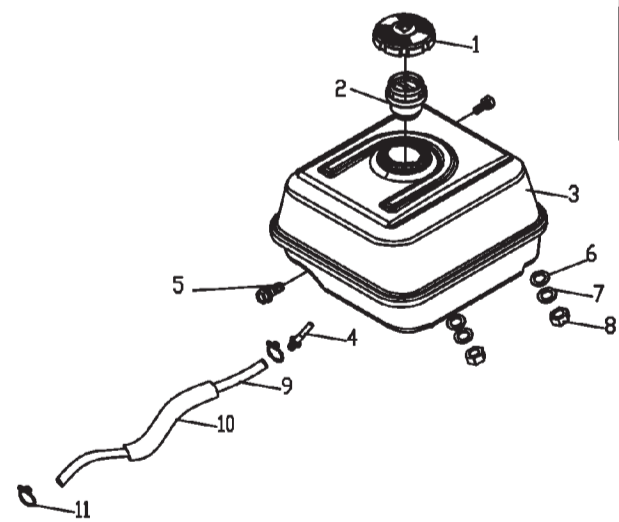
Camshaft assembly (KG270-06000)

Ref.No	Part.No	Description	Qty.
1	KG240-06002	Valve pushing rod	2
2	KG240-06001	Valve tappet	2
3	KG270-06108	Camshaft	1
4	KG240-06106	Fork pin	1
5	KG240-06107	Fork	1
6	KG240-06101	Rocker	1
7	KG240-06105	Decompressor centrifugation block	1
8	KG240-06104	Rocker pin	1
9	KG240-06102	Decompress spring pin	1
10	KG160-06103	Tension spring	1



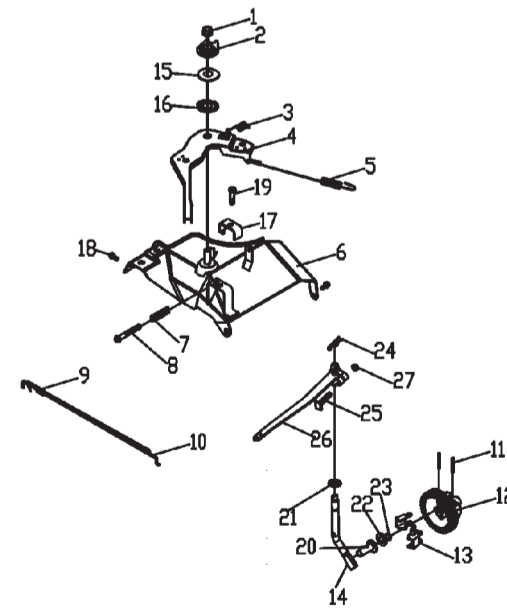
Fuel system (KG240-09000)

Ref.No	Part.No	Description	Qty.
1	KG160-09200	Fuel tank cover parts	1
2	KG160-09400	Filter screen	1
3	KG240-09100	Fuel tank jointing piece	1
4	KG160-09300	Fuel vent mouth subassembly	1
5	GB/T5789-1986	Bolt M8×25	2
6	GB/T97.1-2002	Gasket 8	2
7	GB/T93-1987	Gasket 8	2
8	GB/T6170-2000	Nut M8	2
9	KG240-09002	Fuel delivery pipe	1
10	KG240-09004	Fuel delivery pipe sheath	1
11	KG160-09003	Clip	2



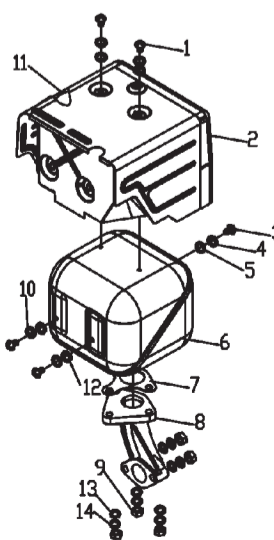
Governor and control system (KG240-11000)

Ref.No	Part.No	Description	Qty.
1	GB/T6187.1-2000	Nut M6	1
2	KG240-11203	Lock washer	1
3	KG240-11206	Governor spring (I)	1
4	KG240-11201	Governor handle	1
5	KG240-11003	Governor spring	1
6	KG240-11210	Sustain plate jointing piece	1
7	KG160-11205	Adjusting spring	1
8	GB/T818-2000	Screw M5×30	1
9	KG240-11001	Idle speed adjusting spring	1
10	KG240-11002	Governor pull rod	1
11	KG240-11103	Weight pin	2
12	KG240-11101	Small gear of governor	1
13	KG240-11102	Weight	2
14	KG240-11005	Governor pushing rod	1
15	KG160-11202	Saddle gasket	1
16	KG160-11204	Friction slice	1
17	KG160-11208	Pull cord cover board	1
18	GB/T5789-1986	Bolt M6×12	2
19	GB/T818-2000	Screw M5×15	1
20	KG240-11004	Pulley sheath	1
21	KG240-11008	Pushing rod cushion	1
22	KG160-11006	Cushion	1
23	KG160-11009	Retainer ring	1
24	KG240-11012	Garter spring	1
25	KG160-11007	Square toes bolt	1
26	KG240-11011	Governor arm	1
27	GB/T6177.1-2000	Nut M6	1



Air Exhaust system (KG270-08000)

Ref.No	Part.No	Description	Qty.
1	GB/T818-2000	Screw M5×10	4
2	KG270-08200	Cover solder piece	1
3	GB/T818-2000	Screw M6×10	1
4	GB/T93-1987	Gasket 6	1
5	GB/T97.1-2002	Gasket 6	1
6	KG270-08100	Muffler solder piece	1
7	KG240-08002	Muffler cushion	1
8	KG270-08001	Exhaust pipe	1
9	GB/T6170-2000	Nut M8	5
10	GB/T93-1987	Gasket 5	4
11	KG270-08300	Spark catcher	1
12	GB/T97.1-2002	Gasket 5	4
13	GB/T97.1-2002	Gasket 8	5
14	GB/T93-1987	Gasket 8	5



Cylinder cover assembly (KG240-03000)

Ref.No	Part.No	Description	Qty.
1	KG240-03003	Cylinder cover fasten bolt	1
2	KG240-03004	Cylinder cover fasten bolt gasket	1
3	KG240-03100	Cylinder cover parts	1
4	KG240-03001	Cylinder cover seal ring	1
5	KG240-03002	Breathing pipe	1

